

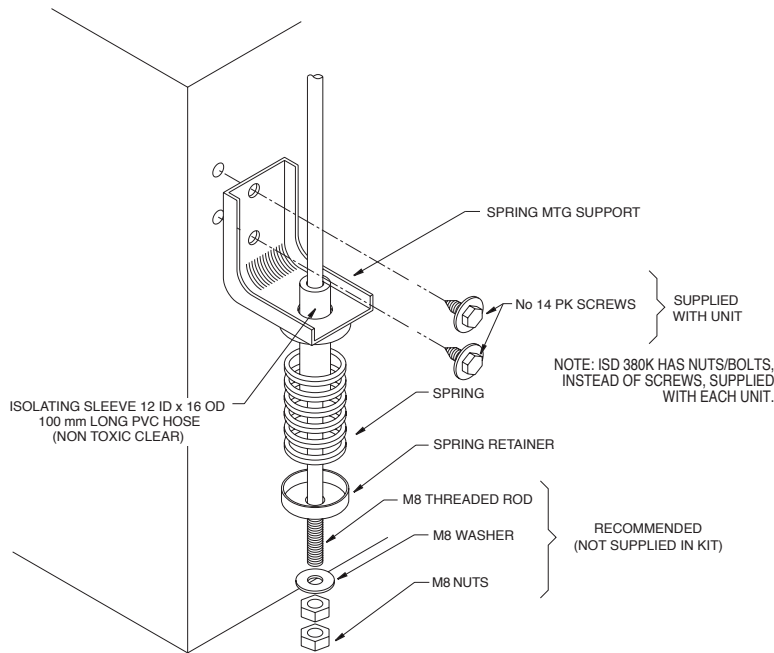
Spring Mounting Kit

for ISD, IMD & HWP Series Air Conditioners

Installation Instructions

Fig. 1

Spring Mount Assembly



GENERAL

The optional ISD/IMD/HWP Series Spring Mounting System has been designed to minimise the transfer of vibration from the ISD/IMD/HWP unit into the building structure.

Check that all items of the kitset are supplied and are in good order.

SPRING MOUNTING KIT

Models	Kit Item No.
No.2: ISD 87KYX–224KYX ISD 171LYX–251LYX IMD 95–420	307-161-101
No.3: ISD 380K ISD 294/324 KYX ISD 351LYX IMD 550	307-341-101

Components:

- Four springs
Kit No.2: **white**
Kit No.3: **red**
- Four spring mounting brackets
- Four spring retainers (10 dia. hole)
- Four PVC isolating sleeves

SPRING MOUNTING KIT

Models	Kit Item No.
No.4: HWP 290K–445K.	307-501-101

Components:

- Six springs (blue)
- Six spring mounting brackets
- Six spring retainers (10 dia. hole)
- Six PVC isolating sleeves

INSTALLATION

When determining the mounting position consideration must be given to adequate access within the ceiling space. Refer to the separate Installation & Maintenance pamphlet relevant to each unit for clearance details.

Locate the appropriate number of mounting hole centres (refer fig. 2, 3 & 4) and fit fixing rods (not supplied) to the supporting ceiling. Lift the unit up to mate with the fixings. Assemble the spring mounting components as shown in figure1. Note: uneven compression of springs around a unit is normal, as is some heavy compression. Refer to the separate Installation & Maintenance pamphlet relevant to each unit for drainage, electrical and refrigeration work required to complete the installation.

Fig. 2

Mounting Centre Dimensions (mm)

Model	A	B
ISD 294KYX	1923	623
ISD 351LYX	1923	623
ISD 310KB-P	1874	810
ISD 310KBY	1874	709
ISD 310KBY	1874	709
ISD 324KYX	1923	607
IMD 95	690	595
IMD 135	865	595
IMD 170	1015	595
IMD 210	1150	595
IMD 280	1285	595
IMD 420	1518	688
IMD 550	1573	688

Other models overleaf

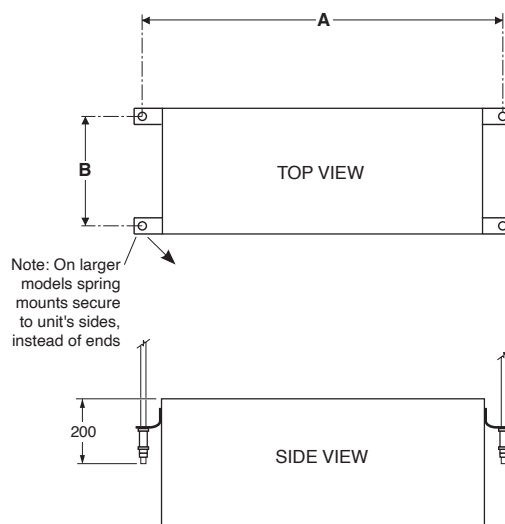


Fig. 3 Mounting Centre Dimensions (mm)

**ISD 87KYX–224KYX
ISD 171LYX–251LYX**

MODEL	A	B	C
ISD 87KYX	1041	971	53
ISD 116KYX	1172	1066	53
ISD 141KYX	1306	1066	120
ISD 164KYX	1496	1391	52
ISD 184KYX	1496	1391	52
ISD 194KYX	1656	1391	120
ISD 224KYX	1656	1391	120
ISD 171LYX	1306	1066	120
ISD 211LYX	1496	1391	52
ISD 251LYX	1656	1391	120

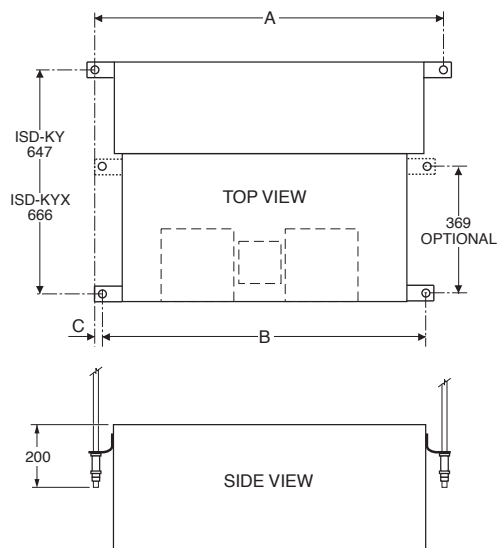
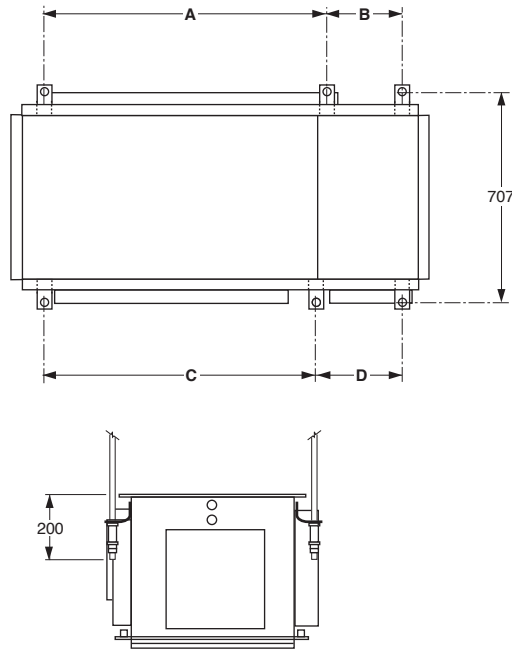


Fig. 4 Mounting Centre Dimensions (mm)

HWP 290–445 K

MODEL	A	B	C	D
HWP 290	1483	319	1405	357
HWP 370	1598	319	1520	357
HWP 445	1833	315	1760	387



NOTE

The manufacturer reserves the right to make changes in specifications at any time without notice or obligation. Certified data is available on request.

This pamphlet replaces the previous issue no. 3925 dated 06/15. ISD-LYX models added.