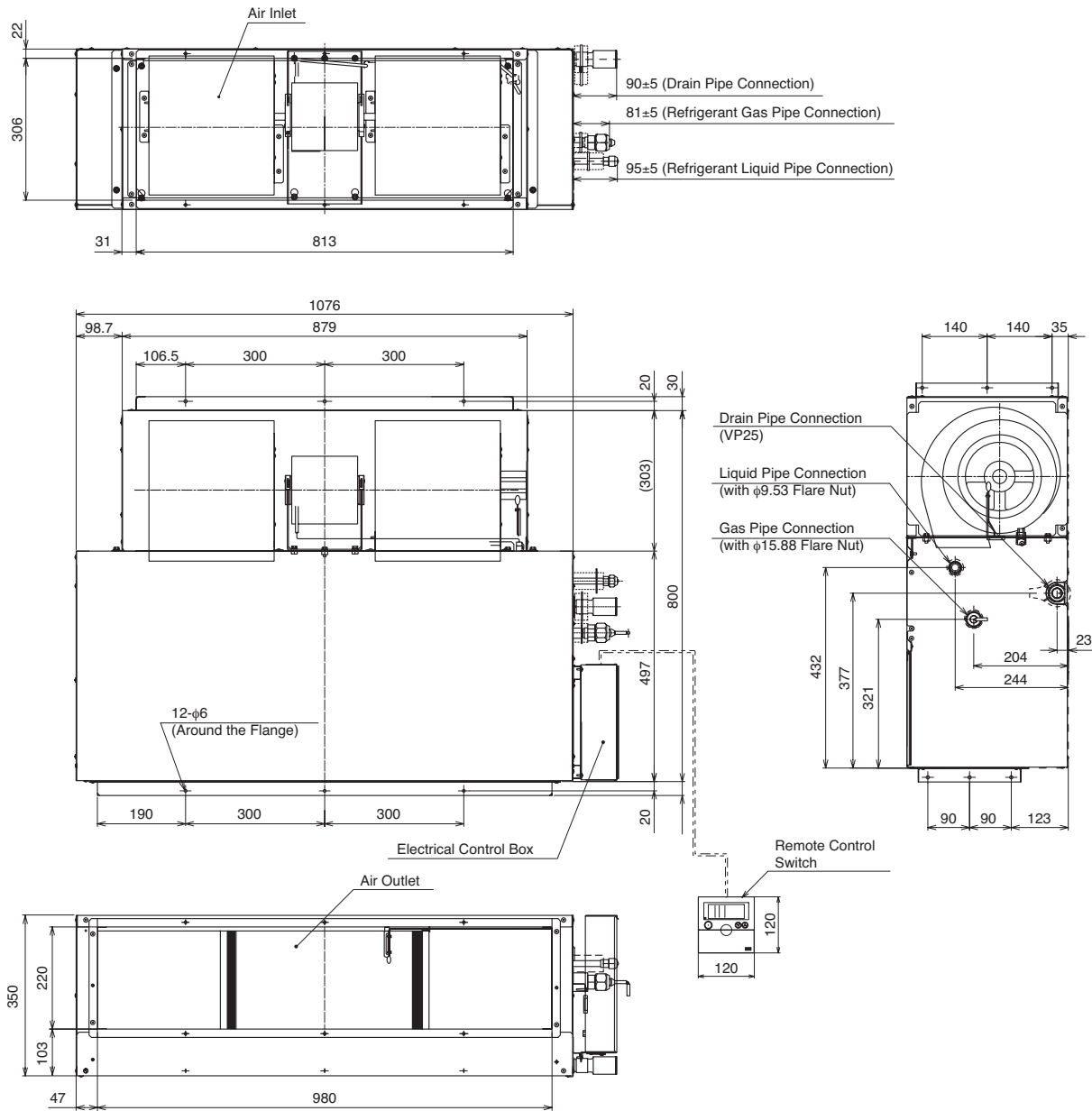


3. Dimensional Data

3.1 Dimensional Data for Indoor Units

■ In-the-Ceiling Type

Models: RPI-3.0FSN1SQ and RPI-4.0FSN1SQ

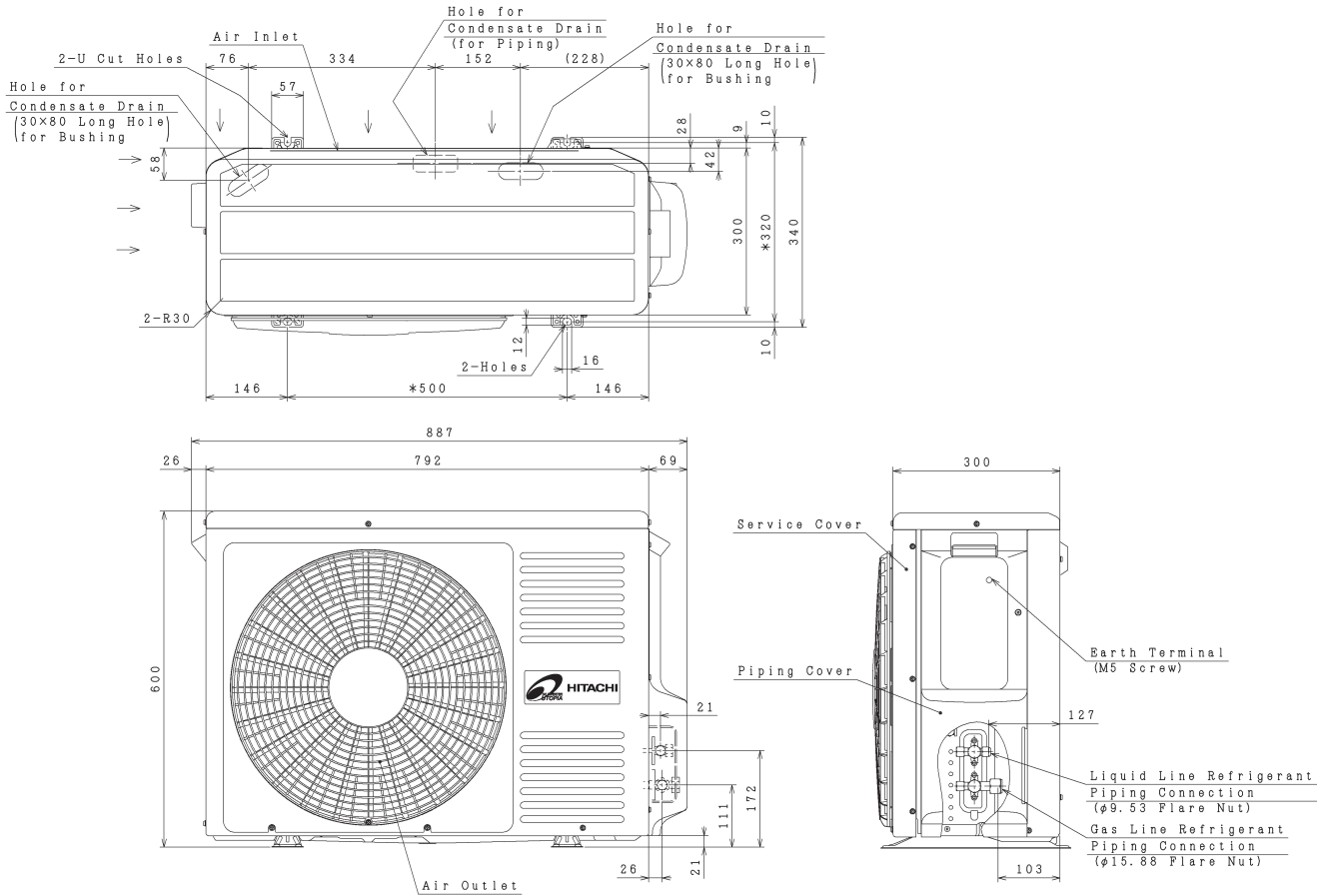


3.2 Dimensional Data for Outdoor Units

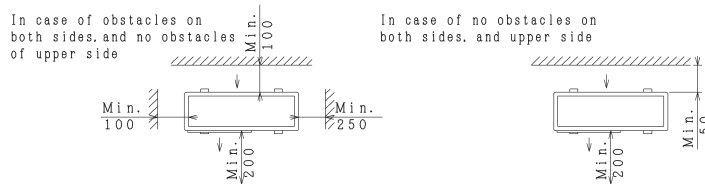
■ Outdoor Unit

Model: RAS-3HVRNS

Unit: mm



Service Space



Drain Water

- Drain water is caused during a defrosting operation.
- ① Choose a place where well drainage is available. Provide a groove for drain.
 - ② Do not provide an upward slope from the unit to avoid reverse flow of the drain. Provide a second drainpan under the outdoor unit, to collect drain water securely.

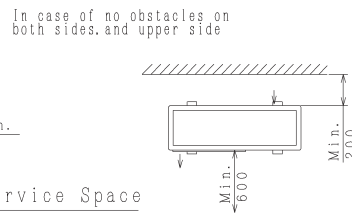
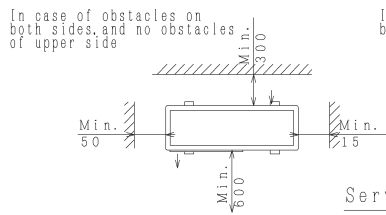
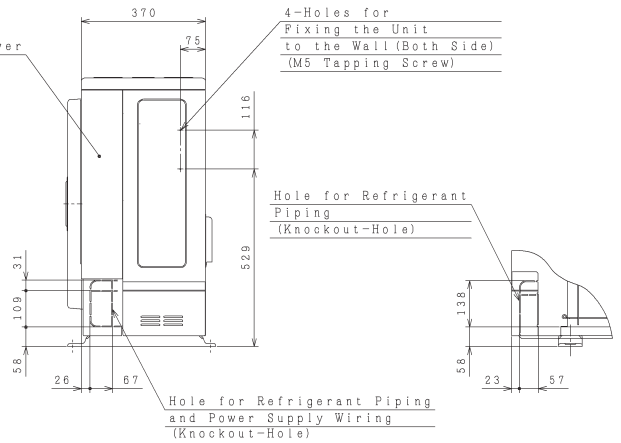
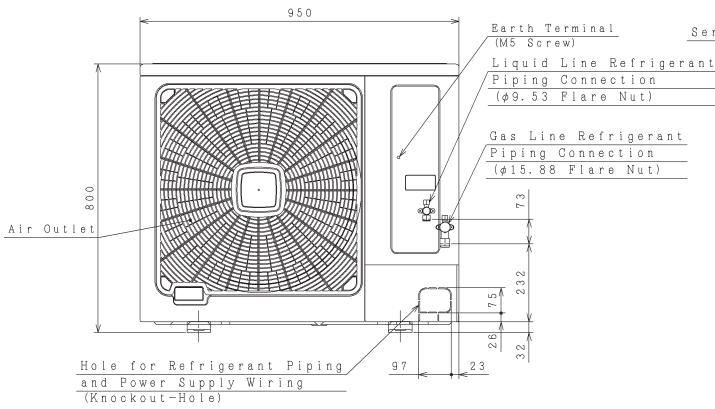
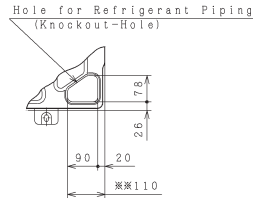
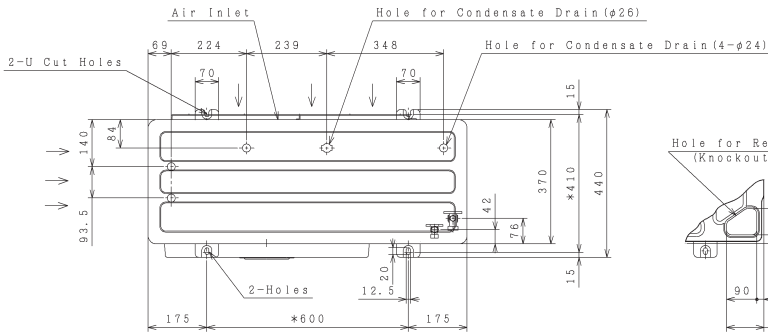
Consideration to Strong Wind

- ① Install the outdoor unit firmly on the flat and sufficient strong foundation.
- ② Install the outdoor unit to avoid the air outlet from facing the strong wind.
- ③ Apply the wind guard (option) when the strong wind faces to the air outlet.

DIMENSIONAL DATA

Models: RAS-4HVRNS and RAS-5HVRNS

Unit: mm



Service Space

Drain Water

Drain water is caused during a defrosting operation.

- ① Choose a place where well drainage is available. Provide a groove for drain.
- ② Do not provide an upward slope from the unit to avoid reverse flow of the drain. Provide a second drainpan under the outdoor unit, to collect drain water securely.