

Contents: *(click on page links below)*

General Data	1
Performance Data	3
Suggested Spec	5
Accessories	6



AUCKLAND
ph 09 279 5250
fax 09 275 5637
sales@temperzone.co.nz

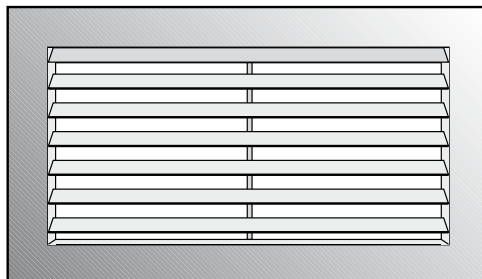
WELLINGTON
ph 04 569 3262
fax 04 566 6249
wgtn@temperzone.co.nz

CHRISTCHURCH
ph 03 379 3216
fax 03 379 5956
chch@temperzone.co.nz

HEAD OFFICE (Auckland)
38 Tidal Road, Mangere, Auckland 2022, NZ
Private Bag 93303, Otahuhu, Auckland 1640, NZ

FIXED BLADE GRILLE

Series S580, S585



General

Fixed 35° deflection return/exhaust air grille, available in horizontal or vertical models, with flat surface mounting frame; suitable for sidewall or ceiling mounting. Options include a choice of two vane spacings and fixed or hinged frame, with or without a washable panel filter.

Design

All models have fixed deflection vanes designed to match the Series 5880 supply air grilles. The Series S585 is more 'sight proof' than the series S580.

Series S580 has 20 mm vane spacing; Series S585 has 10 mm vane spacing.

A Hinged Frame (HF) version with optional filter is available for each of the above models and has an additional sub-frame, sized to fit into the same opening size as non-hinged grilles. The hinged part of the grille is removable for easy access.

Sizes (mm)

Available square or rectangular.

Minimum Nominal (hole) size : 100 mm x 100 mm (HF: 200 mm x 200 mm)

Maximum Nominal (hole) size : 1800 mm x 1800 mm (HF: 1200 mm x 600 mm)

Standard size increment : 50 mm width or height

When ordering, specify nominal width followed by nominal height:

e.g. 500 mm wide x 200 mm high

Finishes

Standard finish is gloss powder coat. Alternative colours and finishes are available.

Construction

Frame and vanes are of corrosion resistant aluminium construction.

Accessories

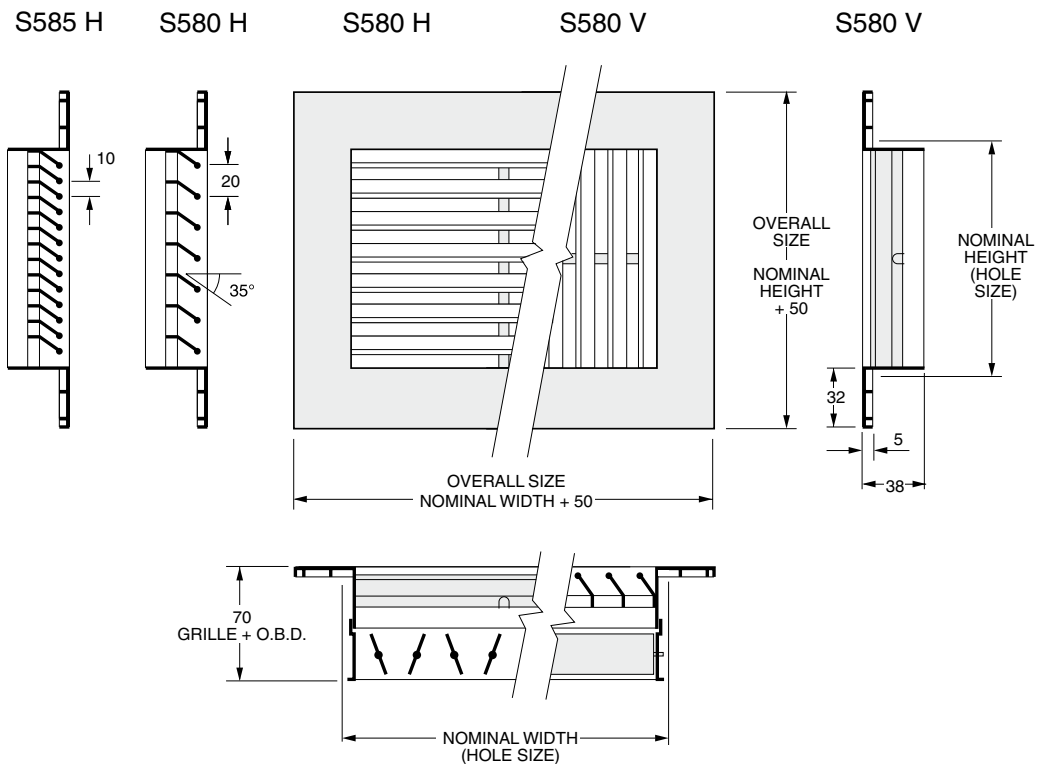
Optional accessories include plastic framed washable panel filters, opposed blade dampers (OBD), and square-to-round (SRA) ducting adaptors.

Dimensions (mm)

FIXED BLADE GRILLE

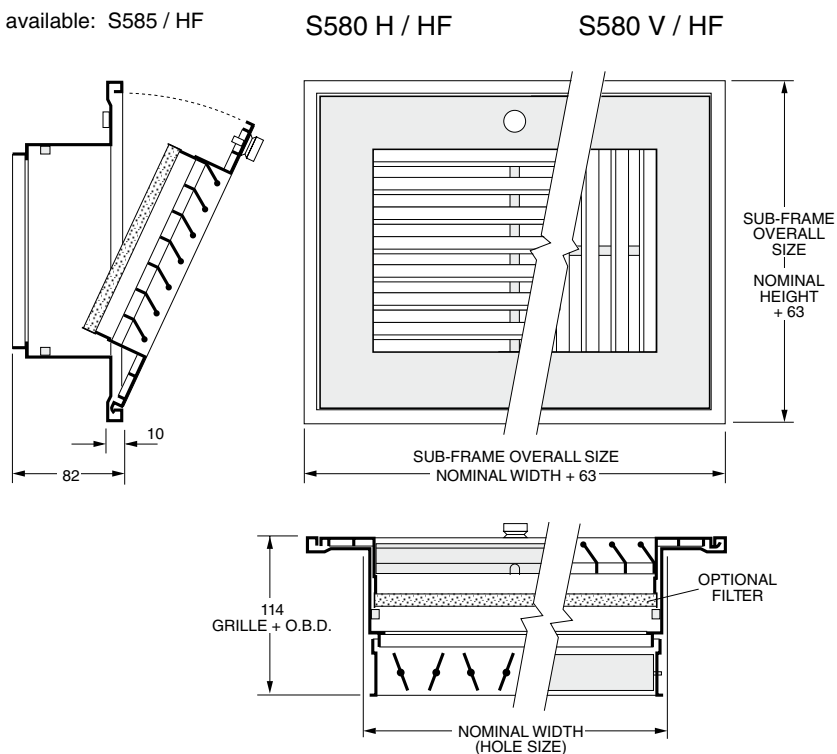
Model	Vane Position	Vane Spacing
S580 H	horizontal	20 mm
S580 V	vertical	20 mm
S585 H	horizontal	10 mm
S585 V	vertical	10 mm

Series S580, S585 H or V



Series S580 / HF

Also available: S585 / HF



Performance Data

FIXED BLADE GRILLE

Series S580

Series S585 correction: Add 4 to NC

Multiply Stat. P by 1.2

Nominal Size (mm) (W x H)	Core Area (m ²)	Vel. m/s	1.5	2.0	2.5	3.0	3.5	4.0	5.0	6.0	8.0
		Vel. P Pa	1	2	4	6	8	10	15	22	40
		Stat. P Pa	- 6	- 10	- 17	- 23	- 32	- 41	- 65	- 93	- 165

150 x 150 200 x 125 250 x 100 300 x 75	0.019	Vol. l/s	29	38	48	57	67	76	95	115	150
		N.C.	< 20	< 20	< 20	< 20	22	25	33	40	50
200 x 200 300 x 150 350 x 125 450 x 100 550 x 75	0.035	Vol. l/s	53	70	88	105	120	140	175	210	280
		N.C.	< 20	< 20	< 20	22	25	29	37	43	54
250 x 250 300 x 200 350 x 150 550 x 100 850 x 75	0.056	Vol. l/s	84	110	140	170	195	225	280	335	450
		N.C.	< 20	< 20	21	25	28	32	39	46	57
300 x 300 400 x 250 450 x 200 650 x 150 1000 x 100	0.082	Vol. l/s	125	165	205	245	285	330	410	490	655
		N.C.	< 20	< 20	23	27	30	34	42	48	59
350 x 350 400 x 300 450 x 250 550 x 200 800 x 150	0.114	Vol. l/s	170	230	285	340	400	455	570	685	910
		N.C.	< 20	< 20	25	29	32	36	44	50	61
400 x 400 450 x 350 550 x 300 600 x 250 750 x 200	0.150	Vol. l/s	225	300	375	450	525	600	750	900	1 200
		N.C.	< 20	21	26	30	33	37	45	52	62
450 x 450 500 x 400 650 x 300 750 x 250 950 x 200	0.191	Vol. l/s	285	380	480	575	670	765	955	1 145	1 530
		N.C.	< 20	22	27	31	35	38	46	53	64
500 x 500 550 x 400 700 x 350 850 x 300 1000 x 250	0.237	Vol. l/s	355	475	590	710	830	950	1 185	1 420	1 895
		N.C.	< 20	24	28	32	36	40	47	54	65
550 x 550 600 x 500 750 x 400 950 x 300 1150 x 250	0.288	Vol. l/s	430	575	720	865	1 010	1 150	1 440	1 730	2 305
		N.C.	< 20	25	29	33	37	41	48	55	66
600 x 600 700 x 500 900 x 400 1200 x 300 1500 x 250	0.345	Vol. l/s	520	690	860	1 035	1 210	1 380	1 725	2 070	2 760
		N.C.	< 20	26	30	34	38	42	49	56	67
650 x 650 800 x 600 950 x 500 1200 x 400 1600 x 300	0.405	Vol. l/s	610	810	1 010	1 215	1 420	1 620	2 025	2 430	3 240
		N.C.	20	26	31	35	38	42	50	57	67
700 x 700 800 x 600 950 x 500 1200 x 400 1600 x 300	0.472	Vol. l/s	710	945	1 180	1 415	1 650	1 890	2 830	2 830	3 775
		N.C.	22	28	33	37	41	45	53	60	70
750 x 750 900 x 600 1100 x 500 1200 x 450 1500 x 350	0.543	Vol. l/s	815	1 085	1 360	1 630	1 900	2 170	2 715	3 260	4 345
		N.C.	22	28	33	37	40	44	52	58	69
800 x 800 1000 x 600 1200 x 500 1500 x 400 1800 x 350	0.619	Vol. l/s	930	1 240	1 550	1 855	2 165	2 475	3 095	3 715	4 950
		N.C.	22	28	33	37	40	44	52	59	69

Vel. = Neck Velocity (m/s) Vel. P. = Velocity Pressure (Pa) Stat. P. = Static Pressure (Pa)

Vol. = Volume (l/s) N.C. = Noise Criteria level

Performance Data

FIXED BLADE GRILLE

Series S580

Nominal Size (mm) (W x H)	Core Area (m ²)	Vel. m/s	1.5	2.0	2.5	3.0	3.5	4.0	5.0	6.0	8.0
		Vel. P Pa	1	2	4	6	8	10	15	22	40
		Stat. P Pa	- 6	- 10	- 17	- 23	- 32	- 41	- 65	- 93	- 165
850 x 850 950 x 750 1200 x 600 1450 x 500 1800 x 400	0.700	Vol. l/s	1 050	1 400	1 750	2 100	2 450	2 800	3 500	4 200	5 600
N.C.		23	29	34	38	41	42	53	59	70	
900 x 900 1000 x 800 1200 x 700 1400 x 600 1600 x 400	0.787	Vol. l/s	1 180	1 575	1 970	2 360	2 755	3 150	3 935	4 720	6 295
N.C.		24	31	36	39	43	47	55	62	72	
950 x 950 1100 x 800 1200 x 750 1500 x 600 1800 x 500	0.880	Vol. l/s	1 320	1 760	2 200	2 640	3 080	3 520	4 400	5 280	7 040
N.C.		24	31	36	40	43	48	56	62	73	
1000 x 1000 1100 x 900 1500 x 650 1800 x 600	0.974	Vol. l/s	1 460	1 950	2 435	2 920	3 410	3 895	4 870	5 845	7 790
N.C.		25	32	36	40	44	48	56	63	73	
1100 x 1100 1200 x 1000 1500 x 800 1600 x 750 1800 x 700	1.180	Vol. l/s	1 770	2 360	2 950	3 540	4 130	4 720	5 900	7 080	9 440
N.C.		26	32	37	41	45	49	57	63	74	
1200 x 1200 1400 x 1000 1600 x 900 1800 x 800	1.410	Vol. l/s	2 115	2 820	3 525	4 230	4 935	5 640	7 050	8 460	11 280
N.C.		27	33	38	42	45	50	58	64	75	
1300 x 1300 1400 x 1200 1700 x 1000 2000 x 850 2500 x 700	1.660	Vol. l/s	2 490	3 320	4 150	4 980	5 810	6 640	8 300	9 960	13 280
N.C.		28	34	39	43	46	50	58	65	75	
1400 x 1400 1650 x 1200 1800 x 1100 2000 x 1000 2500 x 800	1.920	Vol. l/s	2 880	3 840	4 800	5 760	6 720	7 680	9 600	11 520	15 360
N.C.		28	35	40	43	47	51	59	65	76	
1500 x 1500 1800 x 1200 2000 x 1100 2500 x 900 3000 x 750	2.210	Vol. l/s	3 315	4 420	5 525	6 630	7 735	8 840	11 050	13 260	-
N.C.		28	35	40	44	47	50	58	65	-	
1600 x 1600 1700 x 1500 2100 x 1200 2500 x 1000 3000 x 850	2.520	Vol. l/s	3 780	5 040	6 300	7 560	8 820	10 080	12 600	15 120	-
N.C.		32	36	41	45	48	52	60	67	-	
1700 x 1700 1800 x 1600 2400 x 1200 3000 x 950	2.850	Vol. l/s	4 275	5 700	7 125	8 550	9 975	11 400	14 250	-	-
N.C.		30	37	41	45	49	52	60	-	-	
1800 x 1800 2000 x 1600 2700 x 1200 3000 x 1100	3.190	Vol. l/s	4 785	6 380	7 975	9 570	11 165	12 760	15 950	-	-
N.C.		30	37	41	45	49	52	60	-	-	

SUGGESTED SPECIFICATIONS

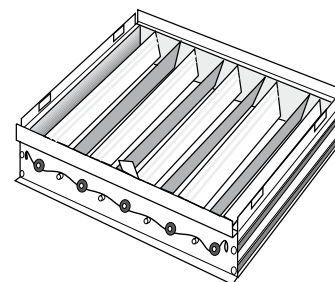
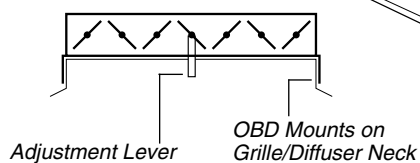
Fixed Blade Grille - Series S580, S585

All vane type return/exhaust air grilles shall have fixed 35° deflection vanes, spaced to match supply air grilles. Frames and vanes shall be of aluminium alloy sections, finished in commercial grade powder or stoving enamel coating, all as manufactured by **temperzone** Limited. Where grilles/diffusers (registers) are fitted with opposed blade volume regulating dampers (OBD), the adjustment lever shall be accessible from the register face.

ACCESSORIES

Opposed Blade Damper (OBD)

- Controls air volume for balancing and fine adjustment
- Installs directly to neck with clip fasteners
- Lever operated from the face of the grille/diffuser
- Not intended for use as a shut-off damper
- Aluminium construction
- Sized to suit grilles/diffusers



Square to Round Adaptor (SRA)

- Adapts square neck grilles/diffusers to round flexible or rigid ducting
- Black Satin enamel finish on inside surfaces
- Galvanised steel construction;
black polyethylene construction for
size 300 sq. to 200/250 round
- Sized to suit grilles/diffusers and ducting

