

Contents: *(click on page links below)*

XAL-2C Technical Data	1
XAL-4C Technical Data	3
XAL-2F Technical Data	5
XAL-4F Technical Data	7



AUCKLAND
ph 09 279 5250
fax 09 275 5637
sales@temperzone.co.nz

WELLINGTON
ph 04 569 3262
fax 04 566 6249
wgtn@temperzone.co.nz

CHRISTCHURCH
ph 03 379 3216
fax 03 379 5956
chch@temperzone.co.nz

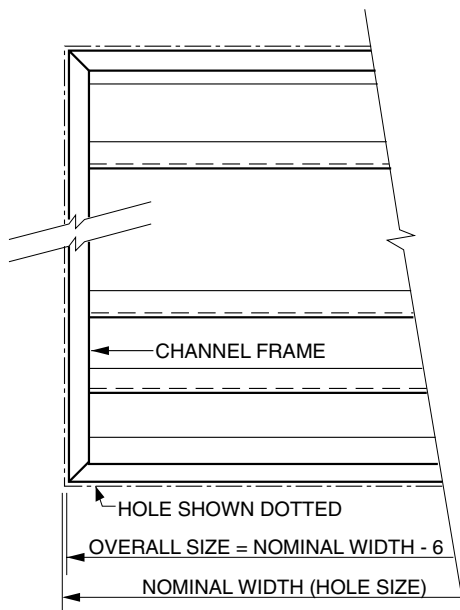
HEAD OFFICE (Auckland)
38 Tidal Road, Mangere, Auckland 2022, NZ
Private Bag 93303, Otahuhu, Auckland 1640, NZ

XAL-2C

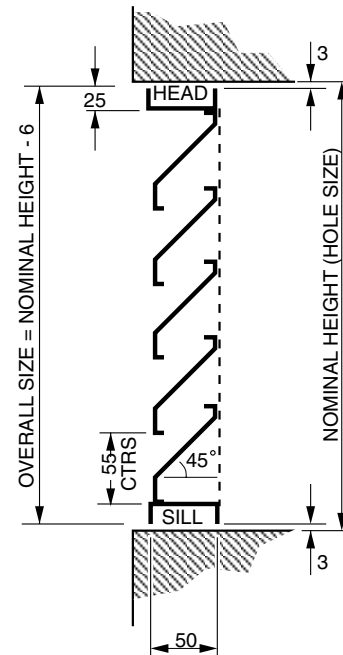
DATA SHEET

Fixed Outside Louvre Channel Frame, Horizontal Blades

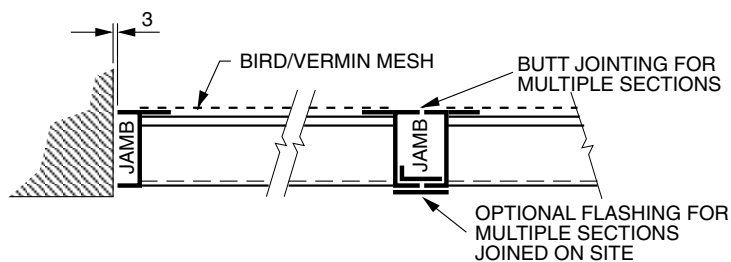
DIMENSIONS (mm)



FRONT ELEVATION



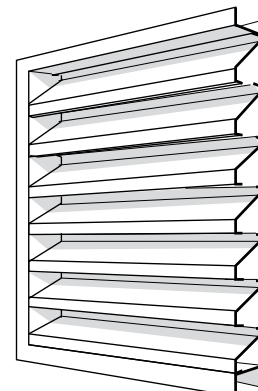
TYPICAL VERTICAL SECTION



TYPICAL HORIZONTAL SECTION

STANDARD CONSTRUCTION

BLADES/FRAME:	6063-T5 extruded aluminium
MESH - Optional:	Expanded aluminium
FINISH - Standard:	Mill or powder coat (standard colours)
MINIMUM SIZE:	300 mm width x 150 mm height
MAXIMUM SECTION SIZE:	2000 mm width x 2000 mm height
SIZE AVAILABILITY:	Width to order; 300 mm and over Height in 50 mm increments
SELECTION DATA:	Refer overleaf



NOTE

The manufacturer reserves the right to make changes in specifications at any time without notice or obligation. Certified dimensions available on request.

XAL-2C Fixed Outdoor Louvre

SELECTION DATA

Effective Area (m²)

		NOMINAL WIDTH (m)																	
		0.3	0.4	0.5	0.6	0.7	0.8	0.9	1.0	1.1	1.2	1.3	1.4	1.5	1.6	1.7	1.8	1.9	2.0
NOMINAL HEIGHT (m)	0.3	0.03	0.04	0.05	0.07	0.08	0.10	0.11	0.12	0.13	0.14	0.16	0.17	0.18	0.19	0.20	0.22	0.23	0.24
	0.4	0.04	0.06	0.07	0.08	0.10	0.12	0.14	0.16	0.17	0.19	0.21	0.23	0.25	0.27	0.28	0.30	0.32	0.35
	0.5	0.05	0.09	0.11	0.13	0.16	0.18	0.20	0.22	0.24	0.26	0.28	0.30	0.32	0.34	0.37	0.40	0.42	0.44
	0.6	0.07	0.10	0.13	0.16	0.19	0.21	0.24	0.27	0.30	0.32	0.34	0.37	0.39	0.42	0.45	0.47	0.50	0.53
	0.7	0.09	0.12	0.15	0.18	0.23	0.26	0.29	0.33	0.36	0.40	0.43	0.46	0.49	0.52	0.56	0.59	0.63	0.66
	0.8	0.10	0.13	0.17	0.21	0.26	0.32	0.34	0.38	0.41	0.45	0.49	0.53	0.56	0.60	0.64	0.68	0.71	0.75
	0.9	0.11	0.16	0.19	0.23	0.27	0.34	0.37	0.42	0.46	0.51	0.55	0.59	0.64	0.68	0.72	0.76	0.80	0.85
	1.0	0.13	0.17	0.21	0.26	0.30	0.38	0.42	0.47	0.52	0.56	0.61	0.66	0.70	0.75	0.80	0.85	0.89	0.94
	1.1	0.14	0.19	0.24	0.30	0.35	0.40	0.46	0.51	0.59	0.61	0.66	0.71	0.76	0.83	0.88	0.93	0.98	1.06
	1.2	0.16	0.22	0.28	0.33	0.39	0.44	0.50	0.55	0.61	0.66	0.72	0.76	0.83	0.94	0.98	1.04	1.10	1.15
	1.3	0.17	0.24	0.30	0.36	0.42	0.48	0.54	0.60	0.66	0.72	0.79	0.87	0.94	0.98	1.06	1.12	1.19	1.25
	1.4	0.19	0.26	0.32	0.39	0.45	0.52	0.58	0.64	0.71	0.77	0.84	0.93	1.00	1.08	1.14	1.21	1.28	1.34
	1.5	0.21	0.28	0.35	0.41	0.48	0.55	0.62	0.69	0.76	0.83	0.94	1.00	1.08	1.15	1.22	1.30	1.40	1.44
	1.6	0.22	0.30	0.37	0.44	0.52	0.59	0.66	0.74	0.81	0.92	1.00	1.08	1.15	1.20	1.31	1.38	1.46	1.53
	1.7	0.23	0.31	0.39	0.47	0.55	0.63	0.70	0.82	0.90	1.00	1.06	1.14	1.22	1.31	1.34	1.47	1.56	1.63
	1.8	0.25	0.33	0.42	0.50	0.58	0.66	0.75	0.86	0.95	1.04	1.12	1.21	1.30	1.38	1.47	1.52	1.64	1.70
	1.9	0.26	0.35	0.44	0.52	0.61	0.70	0.79	0.91	1.00	1.10	1.19	1.28	1.37	1.46	1.55	1.64	1.70	1.82
	2.0	0.27	0.37	0.46	0.55	0.64	0.74	0.86	0.96	1.06	1.15	1.25	1.34	1.44	1.55	1.70	1.76	1.86	1.90

Pressure vs. Velocity Characteristics

Intake Pressure (pascals)	2	4	7.5	12	17	23	30	38	46	57	67	79	92
Velocity(m/s) over Effective Area	1.0	1.5	2.0	2.5	3.0	3.5	4.0	4.5	5.0	5.5	6.0	6.5	7.0
Exhaust Pressure (pascals)	1.25	2.7	5.0	7.7	11.2	15.4	20	25	31	38	45	53	61

SELECTION PROCEDURE - Example

Aim: To identify an outdoor louvre for an **intake** duty of 0.40 m³/s at a pressure requirement of 38 Pa.

- From **Pressure vs. Velocity** Table, velocity for 38 Pa intake pressure = 4.5 m/s .
- Effective Area = $\frac{\text{m}^3/\text{s}}{\text{Velocity}} = \frac{0.4}{4.5} = 0.09 \text{ m}^2$
- From **Effective Area** Table (see shading), suitable nominal sizes are:
 - 0.8 m width x 0.3 m height
 - 0.4 m width x 0.5 m height
 - 0.3 m width x 0.7 m height

Available from



temperzone limited

Head Office :
 38 Tidal Rd, Mangere South, Manukau 2022
 Private Bag 93303, Otahuhu, Manukau 1640
 Email: sales@temperzone.co.nz
 Website: www.temperzone.biz

AUCKLAND: Ph. 0-9-279 5250, Fax 0-9-275 5637
 WELLINGTON: Ph. 0-4-569 3262, Fax 0-4-566 6249
 CHRISTCHURCH: Ph. 0-3-379 3216, Fax 0-3-379 5956

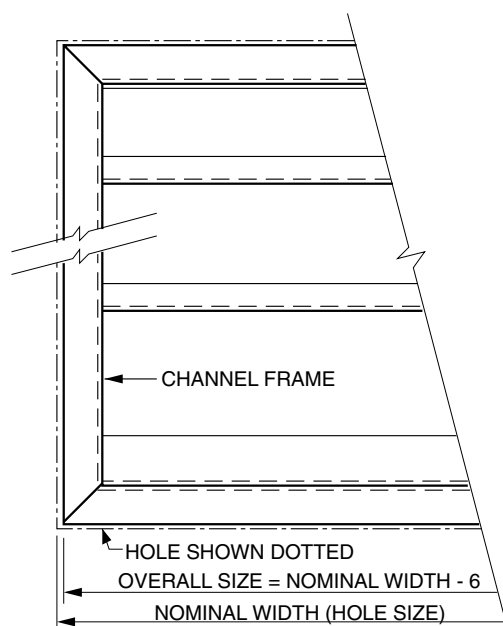


XAL-4C

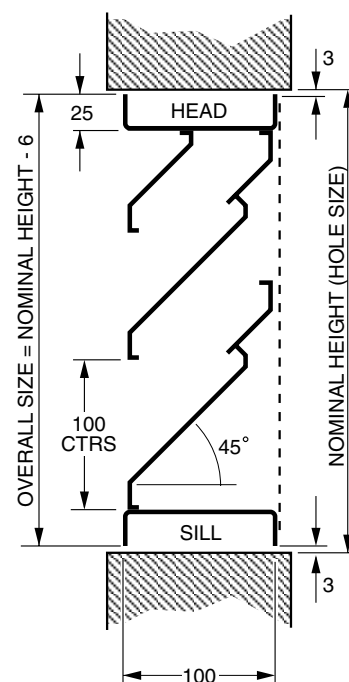
DATA SHEET

Fixed Outside Louvre Channel Frame, Horizontal Blades

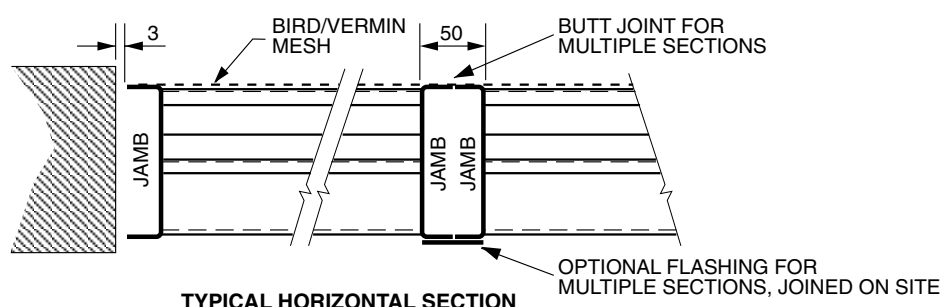
DIMENSIONS (mm)



FRONT ELEVATION



TYPICAL VERTICAL SECTION



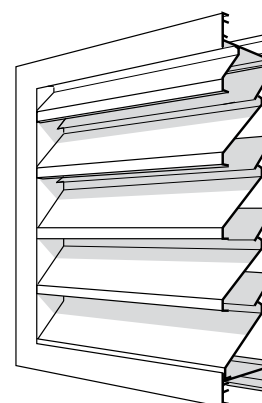
TYPICAL HORIZONTAL SECTION

STANDARD CONSTRUCTION

FRAME:	Sheet aluminium
BLADES:	6063-T5 extruded aluminium
MESH - Optional:	Expanded aluminium
FINISH - Standard:	Mill or powder coat (standard colours)
MINIMUM SIZE:	300 mm width x 300 mm height
MAXIMUM SECTION SIZE:	2000 mm width x 2000 mm height
SIZE AVAILABILITY:	Width to order; 300 mm and over Height in 100 mm increments
SELECTION DATA:	Refer overleaf

NOTE

The manufacturer reserves the right to make changes in specifications at any time without notice or obligation. Certified dimensions available on request.



XAL-4C Fixed Outdoor Louvre

SELECTION DATA

Effective Area (m²)

		NOMINAL WIDTH (m)																	
		0.3	0.4	0.5	0.6	0.7	0.8	0.9	1.0	1.1	1.2	1.3	1.4	1.5	1.6	1.7	1.8	1.9	2.0
NOMINAL HEIGHT (m)	0.3	0.013	0.018	0.022	0.026	0.031	0.035	0.040	0.044	0.048	0.053	0.057	0.062	0.066	0.070	0.075	0.080	0.084	0.090
	0.4	0.03	0.04	0.045	0.05	0.06	0.07	0.08	0.09	0.10	0.11	0.12	0.12	0.13	0.14	0.15	0.16	0.17	0.18
	0.5	0.04	0.05	0.07	0.08	0.09	0.11	0.12	0.13	0.15	0.16	0.17	0.18	0.20	0.21	0.22	0.24	0.25	0.26
	0.6	0.05	0.07	0.09	0.11	0.12	0.14	0.16	0.18	0.19	0.21	0.23	0.25	0.26	0.28	0.30	0.32	0.36	0.39
	0.7	0.07	0.09	0.11	0.13	0.15	0.18	0.20	0.22	0.24	0.26	0.29	0.31	0.33	0.35	0.41	0.44	0.46	0.49
	0.8	0.08	0.11	0.13	0.16	0.18	0.21	0.24	0.26	0.29	0.32	0.34	0.37	0.44	0.46	0.50	0.53	0.55	0.58
	0.9	0.09	0.12	0.15	0.18	0.22	0.25	0.28	0.31	0.34	0.41	0.44	0.47	0.51	0.54	0.57	0.61	0.65	0.68
	1.0	0.11	0.14	0.18	0.21	0.25	0.28	0.32	0.35	0.39	0.46	0.51	0.54	0.58	0.62	0.66	0.70	0.74	0.77
	1.1	0.12	0.16	0.20	0.24	0.28	0.32	0.36	0.44	0.48	0.53	0.56	0.61	0.66	0.69	0.74	0.78	0.83	0.87
	1.2	0.13	0.18	0.22	0.26	0.31	0.35	0.40	0.48	0.53	0.58	0.63	0.68	0.73	0.77	0.83	0.88	0.92	0.97
	1.3	0.15	0.19	0.24	0.29	0.34	0.39	0.44	0.53	0.58	0.64	0.69	0.75	0.80	0.85	0.90	0.96	1.01	1.10
	1.4	0.16	0.21	0.26	0.32	0.37	0.42	0.53	0.58	0.64	0.69	0.76	0.81	0.88	0.95	1.01	1.05	1.10	1.17
	1.5	0.17	0.23	0.29	0.34	0.40	0.46	0.57	0.63	0.69	0.76	0.81	0.88	0.95	1.01	1.07	1.13	1.21	1.25
	1.6	0.19	0.25	0.31	0.37	0.43	0.49	0.60	0.68	0.75	0.81	0.88	0.95	1.01	1.09	1.16	1.22	1.30	1.35
	1.7	0.20	0.26	0.33	0.40	0.46	0.53	0.66	0.73	0.80	0.87	0.95	1.01	1.09	1.21	1.23	1.31	1.38	1.45
	1.8	0.21	0.28	0.35	0.42	0.50	0.56	0.69	0.77	0.85	0.94	1.01	1.09	1.21	1.24	1.32	1.40	1.47	1.55
	1.9	0.22	0.30	0.37	0.45	0.52	0.60	0.74	0.83	0.90	0.99	1.07	1.16	1.23	1.32	1.40	1.49	1.56	1.65
	2.0	0.24	0.32	0.40	0.48	0.61	0.69	0.78	0.87	0.96	1.05	1.13	1.22	1.31	1.40	1.49	1.57	1.65	1.74

Pressure vs. Velocity Characteristics

Intake Pressure (pascals)	2	4	7.5	12	17	23	30	38	46	57	67	79	92
Velocity(m/s) over Effective Area	1.0	1.5	2.0	2.5	3.0	3.5	4.0	4.5	5.0	5.5	6.0	6.5	7.0
Exhaust Pressure (pascals)	1.25	2.7	5.0	7.7	11.2	15.4	20	25	31	38	45	53	61

SELECTION PROCEDURE - Example

Aim: To identify an outdoor louvre for an **intake** duty of 0.40 m³/s at a pressure requirement of 38 Pa.

1. From **Pressure vs. Velocity** Table, velocity for 38 Pa intake pressure = 4.5 m/s .

2. Effective Area = $\frac{\text{m}^3/\text{s}}{\text{Velocity}} = \frac{0.4}{4.5} = 0.09 \text{ m}^2$

3. From **Effective Area** Table (see shading), suitable nominal sizes are:

1.0 m *width* x 0.4 m *height*
 0.7 m *width* x 0.5 m *height*
 0.3 m *width* x 0.9 m *height*

Available from



temperzone limited

Head Office :

38 Tidal Rd, Mangere South, Manukau 2022
 Private Bag 93303, Otahuhu, Manukau 1640
 Email: sales@temperzone.co.nz
 Website: www.temperzone.biz

AUCKLAND: Ph. 0-9-279 5250, Fax 0-9-275 5637
 WELLINGTON: Ph. 0-4-569 3262, Fax 0-4-566 6249
 CHRISTCHURCH: Ph. 0-3-379 3216, Fax 0-3-379 5956

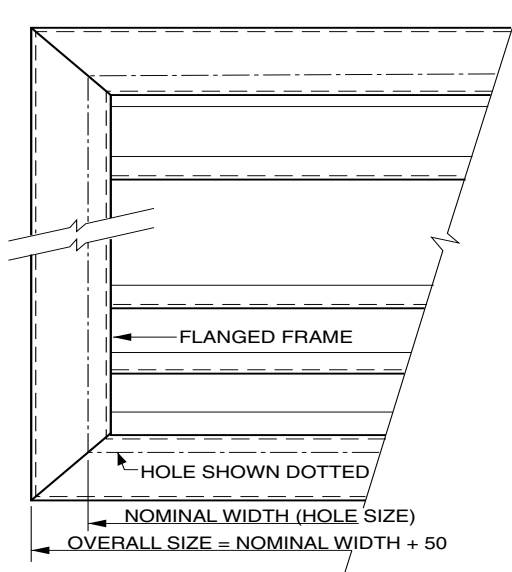


XAL-2F

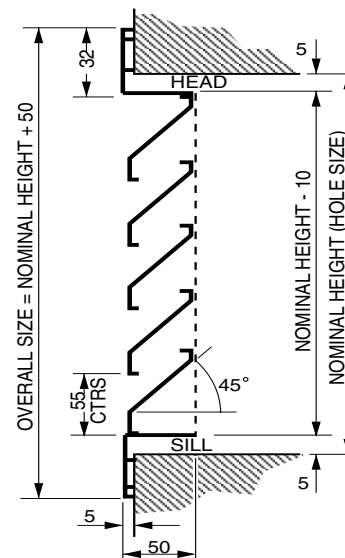
DATA SHEET

Fixed Outside Louvre Flange Frame, Horizontal Blades

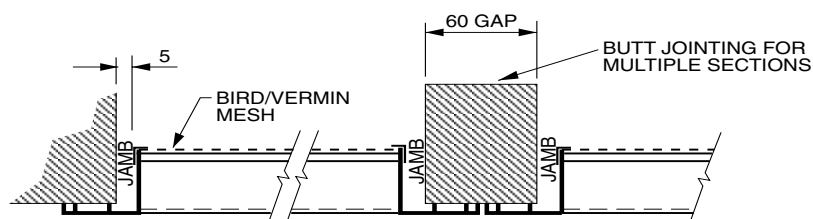
DIMENSIONS (mm)



FRONT ELEVATION



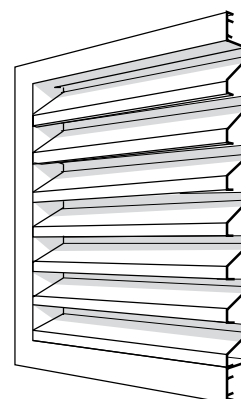
TYPICAL VERTICAL SECTION



TYPICAL HORIZONTAL SECTION

STANDARD CONSTRUCTION

BLADES/FRAME:	6063-T5 extruded aluminium
MESH - Optional:	Expanded aluminium
FINISH - Standard:	Mill or powder coat (standard colours)
MINIMUM SIZE:	200 mm width x 200 mm height
MAXIMUM SECTION SIZE:	2000 mm width x 2000 mm height
SIZE AVAILABILITY:	Width to order; 200 mm and over Height in 50 mm increments
SELECTION DATA:	Refer overleaf



NOTE

The manufacturer reserves the right to make changes in specifications at any time without notice or obligation. Certified dimensions available on request.

XAL-2F Fixed Outdoor Louvre

SELECTION DATA

Effective Area (m²)

		NOMINAL WIDTH (m)																	
		0.3	0.4	0.5	0.6	0.7	0.8	0.9	1.0	1.1	1.2	1.3	1.4	1.5	1.6	1.7	1.8	1.9	2.0
NOMINAL HEIGHT (m)	0.3	0.03	0.04	0.05	0.07	0.08	0.10	0.11	0.12	0.13	0.14	0.16	0.17	0.18	0.19	0.20	0.22	0.23	0.24
	0.4	0.04	0.06	0.07	0.08	0.10	0.12	0.14	0.16	0.17	0.19	0.21	0.23	0.25	0.27	0.28	0.30	0.32	0.35
	0.5	0.05	0.09	0.11	0.13	0.16	0.18	0.20	0.22	0.24	0.26	0.28	0.30	0.32	0.34	0.37	0.40	0.42	0.44
	0.6	0.07	0.10	0.13	0.16	0.19	0.21	0.24	0.27	0.30	0.32	0.34	0.37	0.39	0.42	0.45	0.47	0.50	0.53
	0.7	0.09	0.12	0.15	0.18	0.23	0.26	0.29	0.33	0.36	0.40	0.43	0.46	0.49	0.52	0.56	0.59	0.63	0.66
	0.8	0.10	0.13	0.17	0.21	0.26	0.32	0.34	0.38	0.41	0.45	0.49	0.53	0.56	0.60	0.64	0.68	0.71	0.75
	0.9	0.11	0.16	0.19	0.23	0.27	0.34	0.37	0.42	0.46	0.51	0.55	0.59	0.64	0.68	0.72	0.76	0.80	0.85
	1.0	0.13	0.17	0.21	0.26	0.30	0.38	0.42	0.47	0.52	0.56	0.61	0.66	0.70	0.75	0.80	0.85	0.89	0.94
	1.1	0.14	0.19	0.24	0.30	0.35	0.40	0.46	0.51	0.59	0.61	0.66	0.71	0.76	0.83	0.88	0.93	0.98	1.06
	1.2	0.16	0.22	0.28	0.33	0.39	0.44	0.50	0.55	0.61	0.66	0.72	0.76	0.83	0.94	0.98	1.04	1.10	1.15
	1.3	0.17	0.24	0.30	0.36	0.42	0.48	0.54	0.60	0.66	0.72	0.79	0.87	0.94	0.98	1.06	1.12	1.19	1.25
	1.4	0.19	0.26	0.32	0.39	0.45	0.52	0.58	0.64	0.71	0.77	0.84	0.93	1.00	1.08	1.14	1.21	1.28	1.34
	1.5	0.21	0.28	0.35	0.41	0.48	0.55	0.62	0.69	0.76	0.83	0.94	1.00	1.08	1.15	1.22	1.30	1.40	1.44
	1.6	0.22	0.30	0.37	0.44	0.52	0.59	0.66	0.74	0.81	0.92	1.00	1.08	1.15	1.20	1.31	1.38	1.46	1.53
	1.7	0.23	0.31	0.39	0.47	0.55	0.63	0.70	0.82	0.90	1.00	1.06	1.14	1.22	1.31	1.34	1.47	1.56	1.63
	1.8	0.25	0.33	0.42	0.50	0.58	0.66	0.75	0.86	0.95	1.04	1.12	1.21	1.30	1.38	1.47	1.52	1.64	1.70
1.9	0.26	0.35	0.44	0.52	0.61	0.70	0.79	0.91	1.00	1.10	1.19	1.28	1.37	1.46	1.55	1.64	1.70	1.82	
2.0	0.27	0.37	0.46	0.55	0.64	0.74	0.86	0.96	1.06	1.15	1.25	1.34	1.44	1.55	1.70	1.76	1.86	1.90	

Pressure vs. Velocity Characteristics

Intake Pressure (pascals)	2	4	7.5	12	17	23	30	38	46	57	67	79	92
Velocity(m/s) over Effective Area	1.0	1.5	2.0	2.5	3.0	3.5	4.0	4.5	5.0	5.5	6.0	6.5	7.0
Exhaust Pressure (pascals)	1.25	2.7	5.0	7.7	11.2	15.4	20	25	31	38	45	53	61

SELECTION PROCEDURE - Example

Aim: To identify an outdoor louvre for an **intake** duty of 0.40 m³/s at a pressure requirement of 38 Pa.

1. From **Pressure vs. Velocity** Table, velocity for 38 Pa intake pressure = 4.5 m/s .

2. Effective Area = $\frac{\text{m}^3/\text{s}}{\text{Velocity}} = \frac{0.4}{4.5} = 0.09 \text{ m}^2$

3. From **Effective Area** Table (see shading), suitable nominal sizes are:

0.8 m *width* x 0.3 m *height*
 0.4 m *width* x 0.5 m *height*
 0.3 m *width* x 0.7 m *height*

ISO 9002
CERTIFIED

Available from:



AUCKLAND
Phone
0-9-279 5250
Fax
0-9-275 5637

WELLINGTON
Phone
0-4-569 3262
Fax
0-4-566 6249

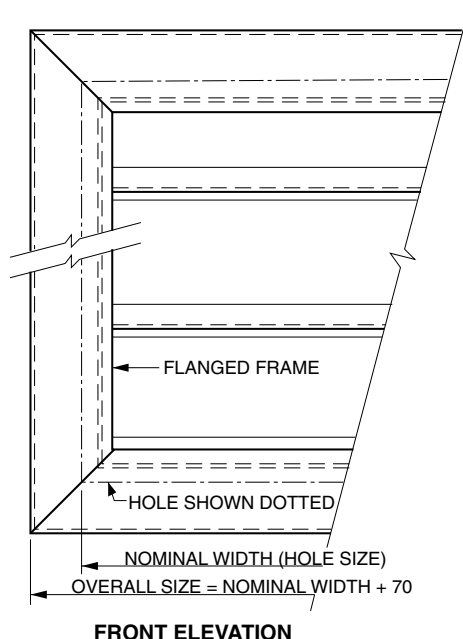
CHRISTCHURCH
Phone
0-3-379 3216
Fax
0-3-379 5956

XAL-4F

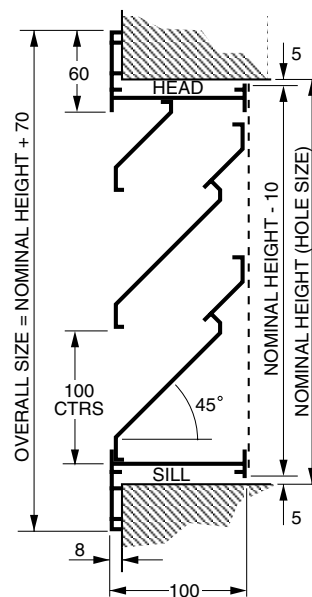
DATA SHEET

Fixed Outside Louvre Flange Frame, Horizontal Blades

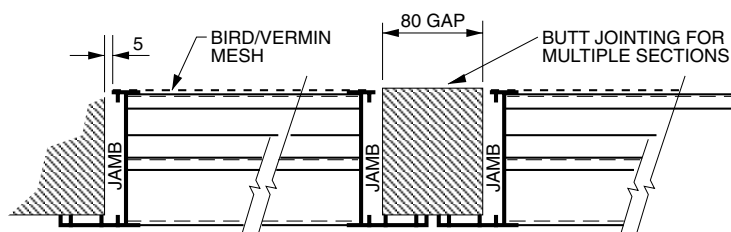
DIMENSIONS (mm)



FRONT ELEVATION



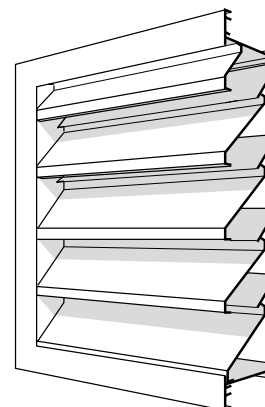
TYPICAL VERTICAL SECTION



TYPICAL HORIZONTAL SECTION

STANDARD CONSTRUCTION

BLADES/FRAME:	6063-T5 extruded aluminium
MESH - Optional:	Expanded aluminium
FINISH - Standard:	Mill or powder coat (standard colours)
MINIMUM SIZE:	300 mm width x 300 mm height
MAXIMUM SECTION SIZE:	2000 mm width x 2000 mm height
SIZE AVAILABILITY:	Width to order; 300 mm and over Height in 100 mm increments
SELECTION DATA:	Refer overleaf



NOTE

The manufacturer reserves the right to make changes in specifications at any time without notice or obligation. Certified dimensions available on request.

XAL-4F Fixed Outdoor Louvre

SELECTION DATA

Effective Area (m²)

		NOMINAL WIDTH (m)																	
		0.3	0.4	0.5	0.6	0.7	0.8	0.9	1.0	1.1	1.2	1.3	1.4	1.5	1.6	1.7	1.8	1.9	2.0
NOMINAL HEIGHT (m)	0.3	0.01	0.02	0.02	0.03	0.03	0.04	0.04	0.05	0.05	0.06	0.06	0.06	0.07	0.07	0.08	0.08	0.09	0.10
	0.4	0.03	0.04	0.05	0.05	0.06	0.07	0.08	0.09	0.10	0.11	0.12	0.12	0.13	0.14	0.15	0.16	0.17	0.18
	0.5	0.04	0.05	0.07	0.08	0.09	0.11	0.12	0.13	0.15	0.16	0.17	0.18	0.20	0.21	0.22	0.24	0.25	0.26
	0.6	0.05	0.07	0.09	0.11	0.12	0.14	0.16	0.18	0.19	0.21	0.23	0.25	0.26	0.28	0.30	0.32	0.36	0.39
	0.7	0.07	0.09	0.11	0.13	0.15	0.18	0.20	0.22	0.24	0.26	0.29	0.31	0.33	0.35	0.41	0.44	0.46	0.49
	0.8	0.08	0.11	0.13	0.16	0.18	0.21	0.24	0.26	0.29	0.32	0.34	0.37	0.44	0.46	0.50	0.53	0.55	0.58
	0.9	0.09	0.12	0.15	0.18	0.22	0.25	0.28	0.31	0.34	0.41	0.44	0.47	0.51	0.54	0.57	0.61	0.65	0.68
	1.0	0.11	0.14	0.18	0.21	0.25	0.28	0.32	0.35	0.39	0.46	0.51	0.54	0.58	0.62	0.66	0.70	0.74	0.77
	1.1	0.12	0.16	0.20	0.24	0.28	0.32	0.36	0.44	0.48	0.53	0.56	0.61	0.66	0.69	0.74	0.78	0.83	0.87
	1.2	0.13	0.18	0.22	0.26	0.31	0.35	0.40	0.48	0.53	0.58	0.63	0.68	0.73	0.77	0.83	0.88	0.92	0.97
	1.3	0.15	0.19	0.24	0.29	0.34	0.39	0.44	0.53	0.58	0.64	0.69	0.75	0.80	0.85	0.90	0.96	1.01	1.10
	1.4	0.16	0.21	0.26	0.32	0.37	0.42	0.53	0.58	0.64	0.69	0.76	0.81	0.86	0.92	1.00	1.05	1.10	1.17
	1.5	0.17	0.23	0.29	0.34	0.40	0.46	0.57	0.63	0.69	0.76	0.81	0.88	0.95	1.01	1.07	1.13	1.21	1.25
	1.6	0.19	0.25	0.31	0.37	0.43	0.49	0.60	0.68	0.75	0.81	0.88	0.95	1.01	1.09	1.16	1.22	1.30	1.35
	1.7	0.20	0.26	0.33	0.40	0.46	0.53	0.66	0.73	0.80	0.87	0.95	1.01	1.09	1.21	1.23	1.31	1.38	1.45
	1.8	0.21	0.28	0.35	0.42	0.50	0.56	0.69	0.77	0.85	0.94	1.01	1.09	1.21	1.24	1.32	1.40	1.47	1.55
1.9	0.22	0.30	0.37	0.45	0.52	0.60	0.74	0.83	0.90	0.99	1.07	1.16	1.23	1.32	1.40	1.49	1.56	1.65	
2.0	0.24	0.32	0.40	0.48	0.61	0.69	0.78	0.87	0.96	1.05	1.13	1.22	1.31	1.40	1.49	1.57	1.65	1.74	

Pressure vs. Velocity Characteristics

Intake Pressure (pascals)	2	4	7.5	12	17	23	30	38	46	57	67	79	92
Velocity(m/s) over Effective Area	1.0	1.5	2.0	2.5	3.0	3.5	4.0	4.5	5.0	5.5	6.0	6.5	7.0
Exhaust Pressure (pascals)	1.25	2.7	5.0	7.7	11.2	15.4	20	25	31	38	45	53	61

SELECTION PROCEDURE - Example

Aim: To identify an outdoor louvre for an **intake** duty of 0.40 m³/s at a pressure requirement of 38 Pa.

- From **Pressure vs. Velocity** Table, velocity for 38 Pa intake pressure = 4.5 m/s .
- Effective Area = $\frac{\text{m}^3/\text{s}}{\text{Velocity}} = \frac{0.4}{4.5} = 0.09 \text{ m}^2$
- From **Effective Area** Table (see shading), suitable nominal sizes are:
 - 1.0 m *width* x 0.4 m *height*
 - 0.7 m *width* x 0.5 m *height*
 - 0.3 m *width* x 0.9 m *height*

ISO 9002
CERTIFIED

Available from:



AUCKLAND
Phone
0-9-279 5250
Fax
0-9-275 5637

WELLINGTON
Phone
0-4-569 3262
Fax
0-4-566 6249

CHRISTCHURCH
Phone
0-3-379 3216
Fax
0-3-379 5956