

Wed Jul 09 2014

Concealed Water Cooled Package Unit

R Series Wiring Diagrams

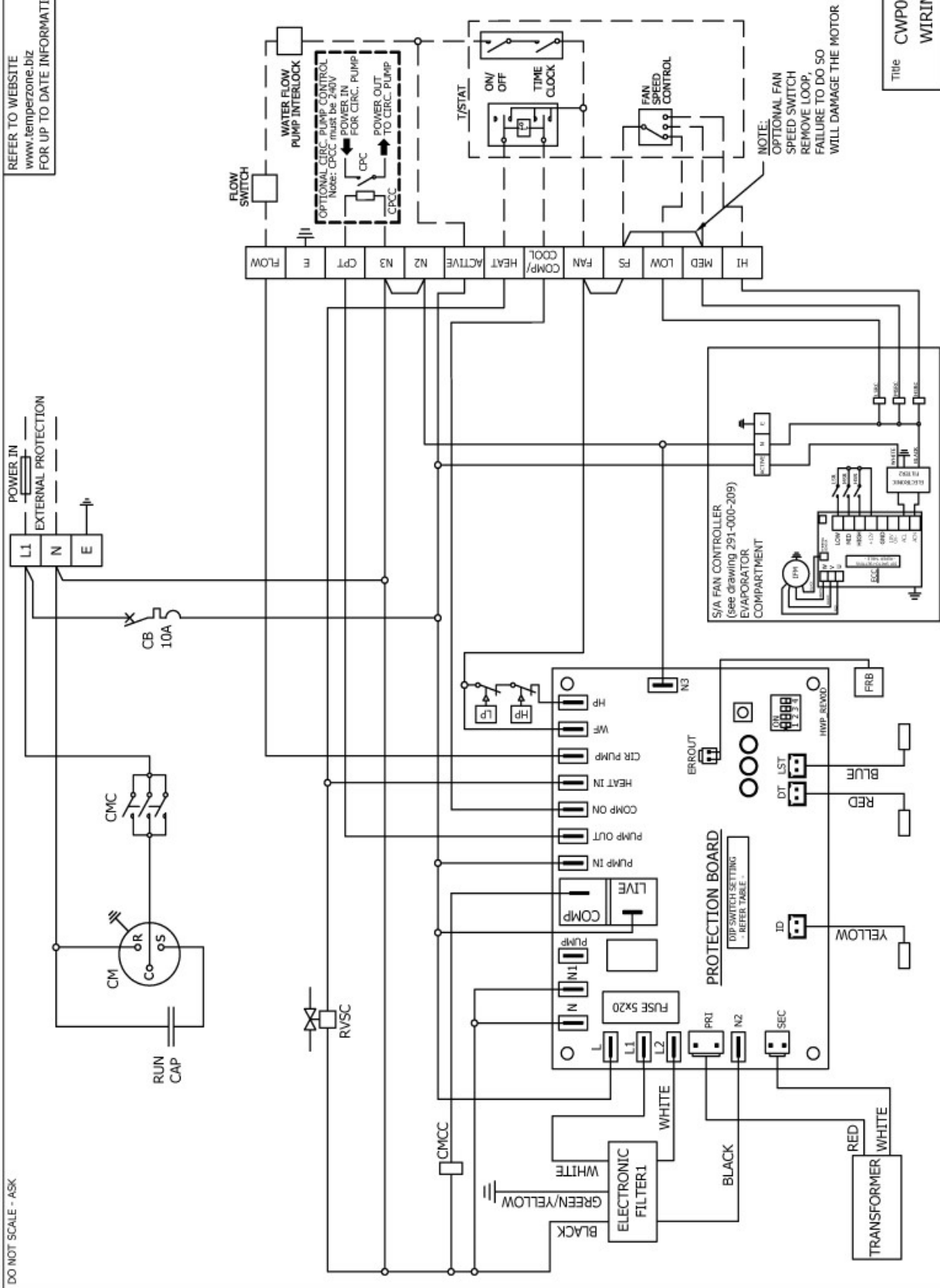


DO NOT SCALE - ASK

REFER TO WEBSITE
www.temperzone.biz
FOR UP TO DATE INFORMATION

CWP0063RKSYS (R410A)	COMP. RUN AMPS AT RATING - COOLING	A	6.8
	COMPRESSOR RUN CAPACITOR	µF	40
	IFM, 900w 3SP RUN AMPS.	A	0.7
	TOTAL RUNNING AMPS.	A	7.5
	HFC (R410A)	kg	1.34

ABBR.	DESCRIPTION
CAP	CAPACITOR
CB	CIRCUIT BREAKER
CM	COMPRESSOR MOTOR
CMC	COMPRESSOR CONTACTOR
CMCC	COMPRESSOR CONTACTOR COIL
CPC	CIRC. PUMP CONTACTOR
CPCC	CIRC. PUMP CONTACTOR COIL
CPT	CIRC. PUMP TERMINAL
ECC	EC MOTOR CONTROLLER
FRB	FAULT RELAY BOARD
HP	HI PRESS. CONTROL
HSR	HI SPEED FAN RELAY
HSRC	HI SPEED FAN RELAY COIL
IFM	INDOOR FAN MOTOR
LP	LOW PRESS. CONTROL
LSR	LOW SPEED FAN RELAY
LSRC	LOW SPEED FAN RELAY COIL
MSR	MED SPEED FAN RELAY
MSRC	MED SPEED FAN RELAY COIL
RVSC	REVERSING VALVE SOLENOID COIL



Title CWP0063RKSYS
WIRING SCHEMATIC - PROTECTION BOARD

© temperzone limited 2009

temperzone

Drawing No. 291-000-205 Rev. D

Date 02/08/12

Drawn JPB

Scale

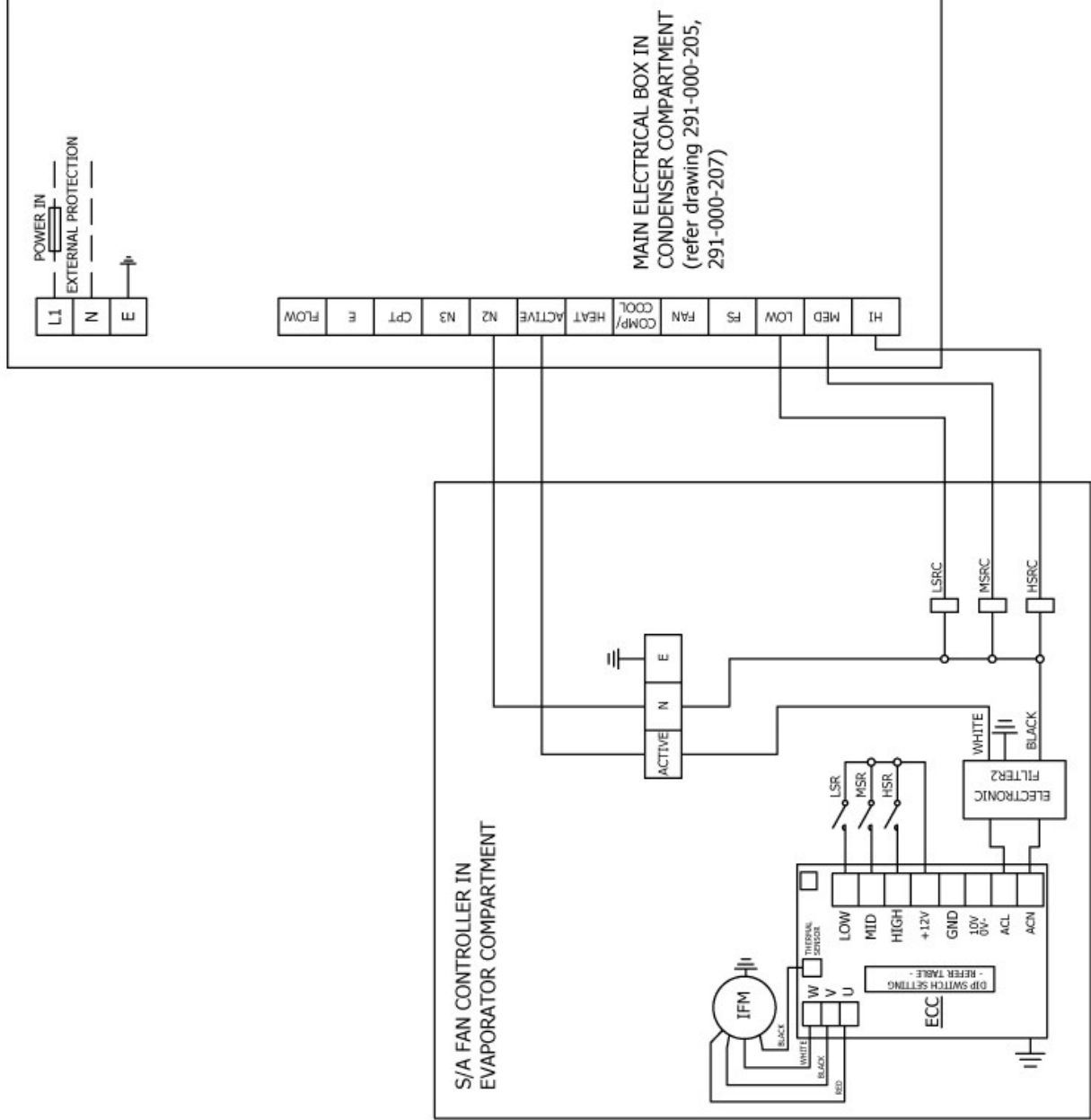
Aprvd

STANDARD DIPSWITCH SETTINGS	
OFF	ON
1	HEAT PUMP
2	FAULT RELAY ACTIVATED UPON FINAL LOCK OUT.
3	LST ACTIVATED AT -2°C
4	LST ACTIVATED AT -1°C

ISSUE	MODIFICATION	EC/N	DATE	APPRVD	CLIENT WIRING
D	TITLE CWP0063RKSYS WAS CWP0065RKSYS	A2-908	7/02/14	JPB	Interconnections between units by client.
C	TITLE CWP0065RKSYS WAS CWP0063RKSYS	A2271	12/04/13	JPB	Double insulated multi-core cable.
B	C.R.A. 6.8 & T.R.A. 7.5 WAS 6.1 & 6.8	A2236	14/01/13	JPB	NOTE: CHECK WIRING BEFORE SWITCHING ON, INCORRECT CONNECTION WILL DAMAGE MOTORS.

DO NOT SCALE - ASK

CWP0063 (R410A)	
IFM, 900W 3SP RUN AMPS.	A 0.7
ABBR.	DESCRIPTION
ECC	EC MOTOR CONTROLLER
HSR	HIGH SPEED FAN RELAY
HSRC	HIGH SPEED FAN RELAY COIL
IFM	INDOOR FAN MOTOR
LSR	LOW SPEED FAN RELAY
LSRC	LOW SPEED FAN RELAY COIL
MSR	MED. SPEED FAN RELAY
MSRC	MED. SPEED FAN RELAY COIL



REFER TO WEBSITE
www.temperzone.biz
FOR UP TO DATE INFORMATION

EC-BOARD SPEED SELECTION - DIP SWITCH 2 (DIP2)											
SWITCH 1	OFF	OFF	OFF	OFF	OFF	OFF	OFF	OFF	OFF	OFF	OFF
SWITCH 2	OFF	ON	OFF	ON	OFF	ON	OFF	ON	OFF	ON	OFF
SWITCH 3	OFF	OFF	ON	ON	OFF	OFF	ON	ON	OFF	OFF	ON
SWITCH 4	OFF	OFF	OFF	OFF	ON	ON	ON	ON	ON	ON	ON
SWITCH 5	OFF	OFF	OFF	OFF	OFF	OFF	OFF	OFF	OFF	OFF	OFF
Max (rpm)	1500	1400	1300	1200	1200	1200	1200	1200	1200	1100	1500
Min (rpm)	1200	1000	1050	1000	900	700	800	800	800	800	500

Title CWP0063RKS, CWP0063CKSY
WIRING SCHEMATIC - S/A FAN CONTROLLER

© temperzone limited 2009

Rev. D
Drawing No. 291-000-209
Date 02/08/12
Drawn JPB
Scale .
Aprvd .

D	TITLE CWP0063RKS WAS CWP0065REKSY	7/02/14	JPB	CLIENT WIRING	
				JPB	JPB
C	TITLE CWP0065RKS WAS CWP0063RKS	12/11/13	JPB	ON	ON
B	DIP SWITCH 2 1100-800 RPM WAS 1300-1000	13/02/13	JPB	OFF	OFF
ISSUE	MODIFICATION	EC/N	APRVD	EC-BOARD STANDARD SELECTION - DIP SWITCH 1 (DIP1)	EC-BOARD STANDARD SELECTION - DIP SWITCH 1 (DIP1)

Interconnections between units by client.
Double insulated multi-core cable.
NOTE: CHECK WIRING BEFORE SWITCHING ON, INCORRECT CONNECTION WILL DAMAGE MOTORS.

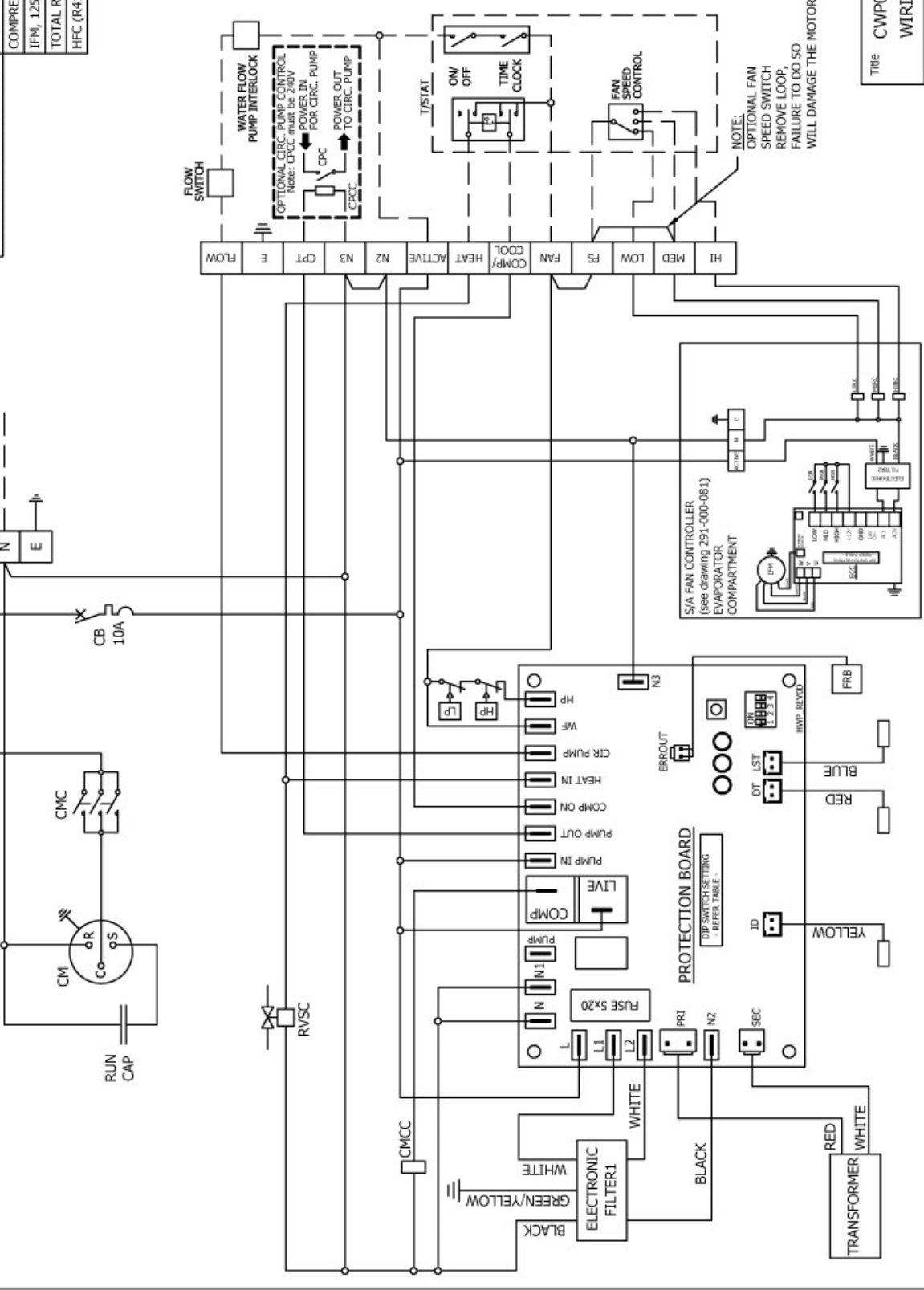
3 SPEED FAN HI/MED/LOW	1	2	3	4
0-10V CONTROL	ON	ON	ON	ON
NORMAL FORWARD ACTION	ON	ON	ON	ON
REVERSE ACTION	OFF	OFF	OFF	OFF
1.25kW MOTOR	ON	ON	ON	ON
900W MOTOR	ON	ON	ON	ON
DO NOT USE	ON	ON	ON	ON

DO NOT SCALE - ASK

REFER TO WEBSITE
www.temperzone.biz
FOR UP TO DATE INFORMATION

CWP....RKSY (R410A)	0083	0096	0109
COMP. RUN AMPS AT RATING - COOLING	A 8.6	10.2	14
COMPRESSOR RUN CAPACITOR	µF 60	80	80
IFM, 1250w 3SP RUN AMPS.	A 1.03	1.18	1.3
TOTAL RUNNING AMPS.	A 9.63	11.38	15.3
HFC (R410A)	kg 1.75	1.65	1.9

ABBR.	DESCRIPTION
CAP	CAPACITOR
CB	CIRCUIT BREAKER
CM	COMPRESSOR MOTOR
CMC	COMPRESSOR CONTACTOR
CMCC	COMPRESSOR CONTACTOR COIL
CPC	CIRC. PUMP CONTACTOR
CPCC	CIRC. PUMP CONTACTOR COIL
CPT	CIRC. PUMP TERMINAL
ECC	EC MOTOR CONTROLLER
FRB	FAULT RELAY BOARD
HP	HI PRESS. CONTROL
HSR	HI SPEED FAN RELAY
HSRC	HI SPEED FAN RELAY COIL
IPM	INDOOR FAN MOTOR
LP	LOW PRESS. CONTROL
LSR	LOW SPEED FAN RELAY
LSRC	LOW SPEED FAN RELAY COIL
MSR	MED SPEED FAN RELAY
MSRC	MED SPEED FAN RELAY COIL
RVSC	REVERSING VALVE SOLENOID COIL



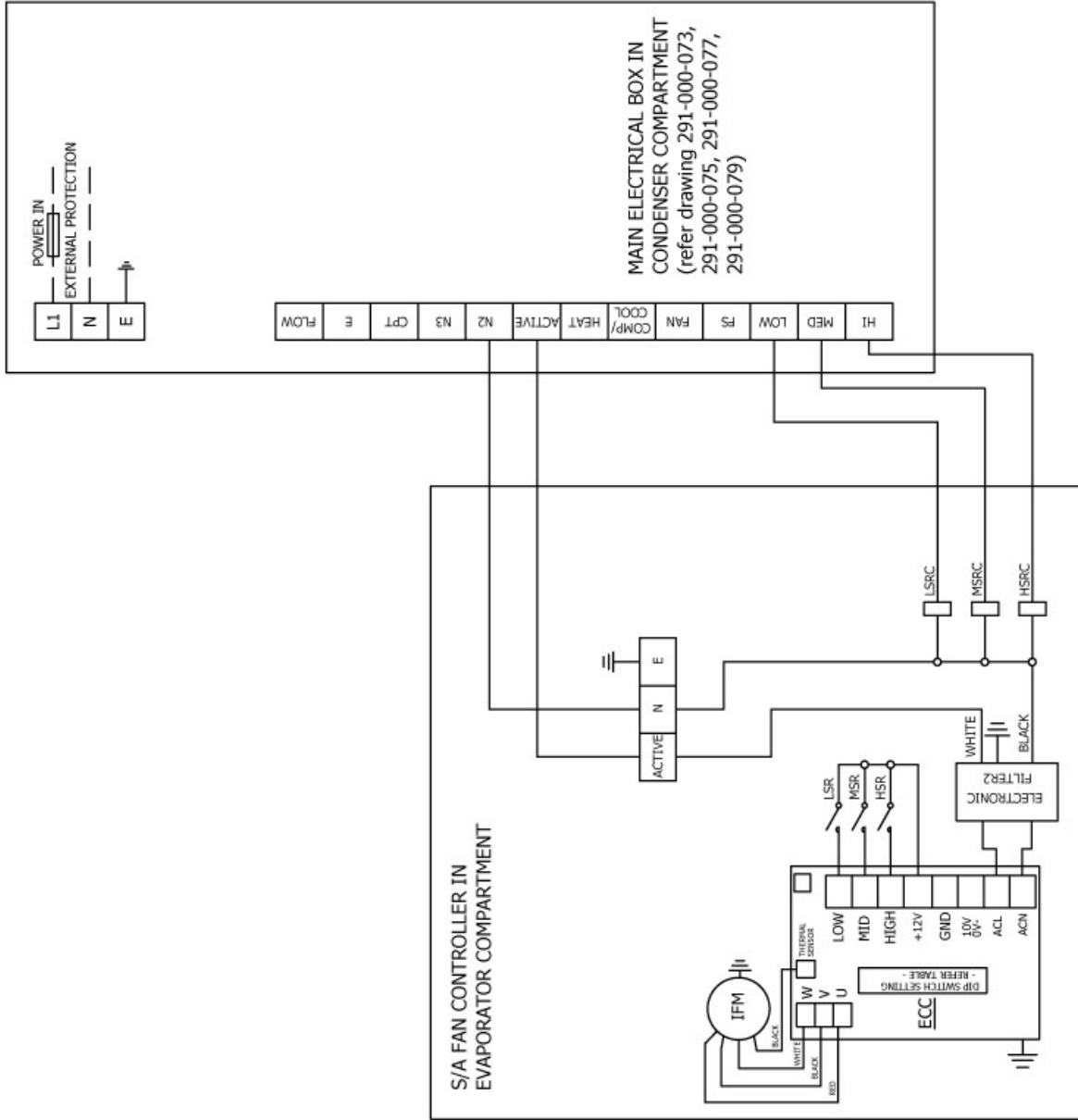
Title CWP0083RKSY, CWP0096RKSY, CWP0109KSY
WIRING SCHEMATIC - PROTECTION BOARD

temperzone limited 2009

Drawn	JPB	Date	02/08/12	Rev.	
Scale		App'd		Drawing No.	291-000-073
Issue	MODIFICATION	EC/N	DATE	APRVD	

B	TOTAL RUNNING AMPS 0096 11.38 WAS 11.3	A2236	14/01/13	JPB	Interconnections between units by client. Double insulated multi-core cable.
A	ORIGINAL		02/08/12	JPB	NOTE: CHECK WIRING BEFORE SWITCHING ON, INCORRECT CONNECTION WILL DAMAGE MOTORS.

DO NOT SCALE - ASK



CWP0109 (R410A)	A	1.3
IFM, 1250W 3SP RUN AMPS.	A	1.3
CWP0096 (R410A)	A	1.18
IFM, 1250W 3SP RUN AMPS.	A	1.18
CWP0083 (R410A)	A	1.03
IFM, 1250W 3SP RUN AMPS.	A	1.03

ABBR.	DESCRIPTION
ECC	EC MOTOR CONTROLLER
HSR	HIGH SPEED FAN RELAY
HSRC	HIGH SPEED FAN RELAY COIL
IFM	INDOOR FAN MOTOR
LSR	LOW SPEED FAN RELAY
LSRC	LOW SPEED FAN RELAY COIL
MSR	MED. SPEED FAN RELAY
MSRC	MED. SPEED FAN RELAY COIL

REFER TO WEBSITE
www.temperzone.biz
FOR UP TO DATE INFORMATION

EC-BOARD SPEED SELECTION - DIP SWITCH 2 (DIP2)	
SWITCH 1	OFF OFF OFF OFF OFF OFF OFF OFF OFF OFF
SWITCH 2	OFF ON ON OFF ON OFF ON OFF ON OFF ON OFF
SWITCH 3	OFF OFF ON ON OFF ON OFF ON OFF ON OFF ON
SWITCH 4	OFF OFF OFF OFF ON ON ON ON ON ON ON ON
SWITCH 5	OFF OFF OFF OFF OFF OFF OFF OFF OFF OFF
Max (rpm)	1500 1400 1350 1300 1200 1200 1100 1500
Min (rpm)	1200 1000 1050 1000 900 700 800 500

Title CWP0083RKSYS, CWP0096RKSYS, CWP0109RKSYS
WIRING SCHEMATIC - S/A FAN CONTROLLER

temperzone limited 2009

Rev. B
Drawing No. 291-000-081
Date 02/08/12
Aprvd .
Scale .
Drawn JPB
JPB

EC-BOARD STANDARD SELECTION - DIP SWITCH 1 (DIP1)	
OFF	ON
3 SPEED FAN / MED / LOW	1 0-10V CONTROL
NORMAL FORWARD ACTION	2 REVERSE ACTION
1.25kW MOTOR	3 90W MOTOR
LEAVE IN THIS POSITION	4 DO NOT USE

CLIENT WIRING
Interconnections between units by client.
Double insulated multi-core cable.
NOTE: CHECK WIRING BEFORE SWITCHING ON, INCORRECT CONNECTION WILL DAMAGE MOTORS.

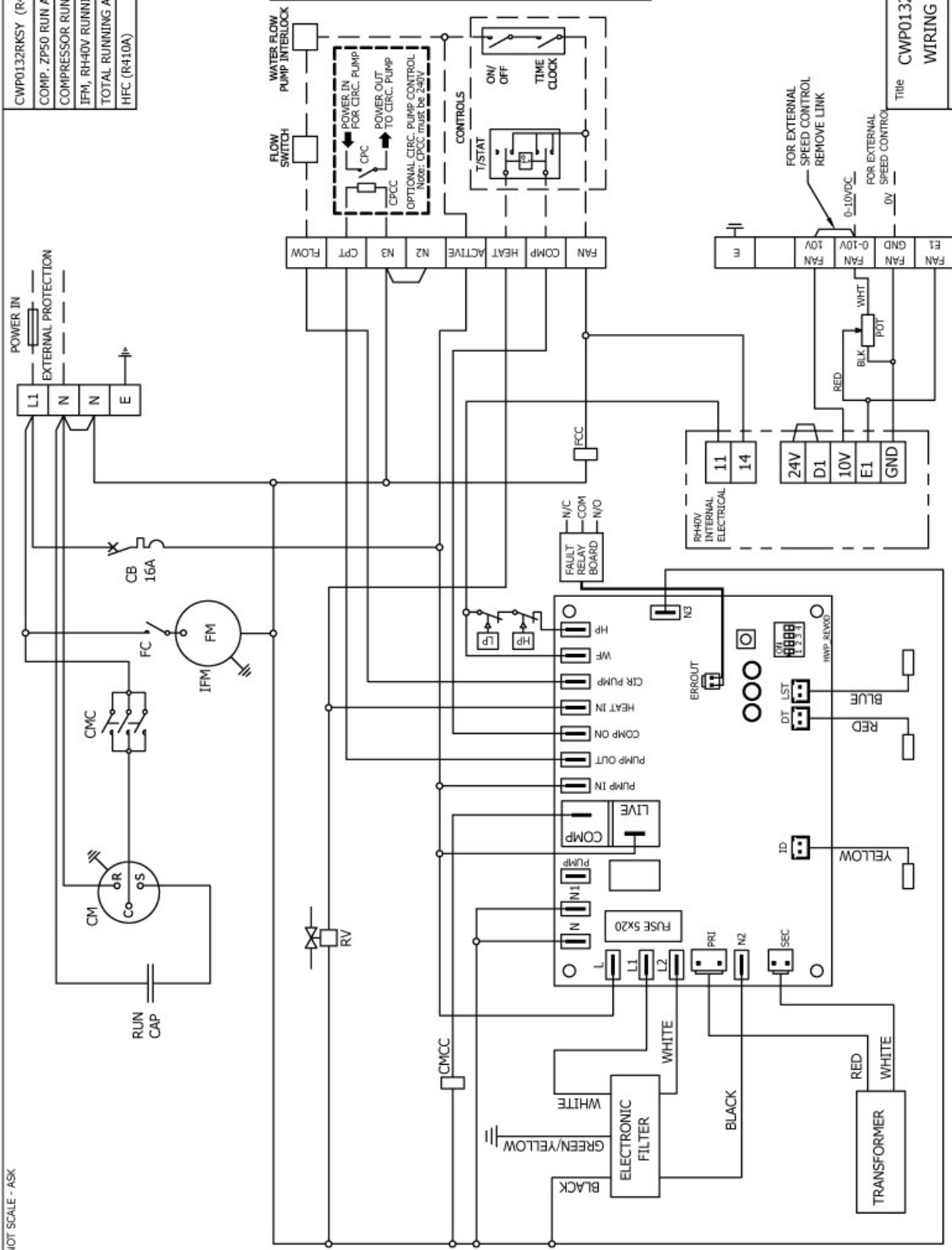
ISSUE	MODIFICATION	EC/N	DATE	APRVD
B	DIP SWITCH 2 1100-600 RPM WAS 1300-1000	A2249	13/02/13	JPB
A	ORIGINAL		02/08/12	JPB

DO NOT SCALE - ASK

CWP0132RKSYS (R410A)	
COMP. ZP50 RUN AMPS AT RATING - COOLING	A 14.0
COMPRESSOR RUN CAPACITOR	µF 80
IFM, RH40V RUNNING AMPS.	A 1.65
TOTAL RUNNING AMPS.	A 15.65
HFC (R410A)	kg 2.4

REFER TO WEBSITE
www.temperzone.biz
FOR UP TO DATE INFORMATION

ABBR.	DESCRIPTION
CAP	CAPACITOR
CB	CIRCUIT BREAKER
CM	COMPRESSOR MOTOR
CMCC	COMPRESSOR CONTACTOR
CPC	COMPRESSOR CONTACTOR COIL
CPCC	CIRC. PUMP CONTACTOR
CPT	CIRC. PUMP CONTACTOR COIL
FC	FAN CONTACTOR
FLA	FULL LOAD AMPERE
FM	FAN MOTOR
FRB	FAULT RELAY BOARD
HP	HI PRESS. CONTROL
IFM	INDOOR FAN MOTOR
LP	LOW PRESS. CONTROL
POT	POTENTIOMETER
R	REVERSE CYCLE
RV	REVERSING VALVE



Title: CWP0132RKSYS
WIRING SCHEMATIC - PROTECTION BOARD

© temperzone limited 2009

Rev.	Drawing No.	Date	Scale	Appvd
A	291-000-276	31/01/13		

CLIENT WIRING	INTERCONNECTIONS BETWEEN UNITS BY CLIENT.
	Interconnections between units by client.
	Double insulated multi-core cable.
	NOTE-CHECK WIRING BEFORE SWITCHING ON, INCORRECT CONNECTION WILL DAMAGE MOTORS.

ISSUE	MODIFICATION	EC/N	DATE	APRVD
A	ORIGINAL		31/01/13	

STANDARD DIPSWITCH SETTINGS	OFF	ON
1	COOL ONLY	HEAT PUMP
2	FAULT RELAY ACTIVATED UPON FINAL LOCK OUT.	FAULT RELAY ACTIVATED WITH EACH SYSTEM FAULT
3	LST ACTIVATED AT -1°C	LST ACTIVATED AT -1°C
4	SPARE	

DO NOT SCALE - ASK

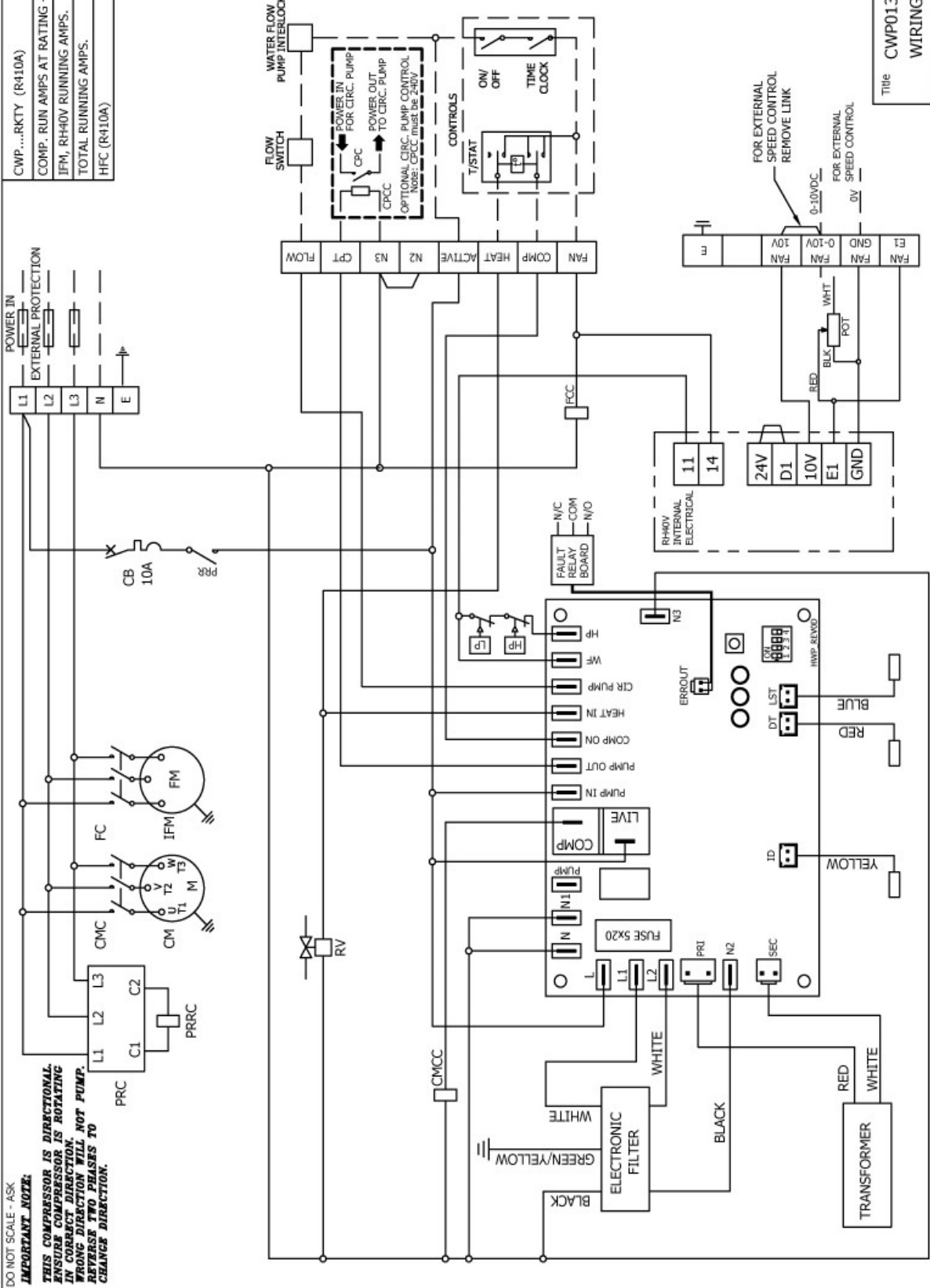
IMPORTANT NOTE:

THIS COMPRESSOR IS DIRECTIONAL. ENSURE COMPRESSOR IS ROTATING IN CORRECT DIRECTION. WRONG DIRECTION WILL NOT PUMP. REVERSE TWO PHASES TO CHANGE DIRECTION.

CWP...RKTY (R410A)	0132	0178
COMP. RUN AMPS AT RATING - COOLING	A/PH 5.2/4.9/4.9	7.3/7.1/7.1
IFM, RH40V RUNNING AMPS.	A 0.76/0.76/0.76	0.9/0.9/0.9
TOTAL RUNNING AMPS.	A/PH 5.96/5.66/5.66	8.2/8.0/8.0
HFC (R410A)	kg 2.4	2.9

REFER TO WEBSITE
www.temperzone.biz
FOR UP TO DATE INFORMATION

ABBR.	DESCRIPTION
CAP	CAPACITOR
CB	CIRCUIT BREAKER
CM	COMPRESSOR MOTOR
CMC	COMPRESSOR CONTACTOR
CMCC	COMPRESSOR CONTACTOR COIL
CPC	CIRC. PUMP CONTACTOR
CPCO	CIRC. PUMP CONTACTOR COIL
CPT	CIRC. PUMP TERMINAL
FCC	FAN CONTACTOR COIL
FLA	FULL LOAD AMPERE
FM	FAN MOTOR
FRB	FAULT RELAY BOARD
HP	HI PRESS. CONTROL
IFM	INDOOR FAN MOTOR
LP	LOW PRESS. CONTROL
POT	POTENTIOMETER
PRC	PHASE ROTATION CONTROL
PRR	PHASE ROTATION RELAY
PRRC	PHASE ROTATION RELAY COIL
R	REVERSE CYCLE
RV	REVERSING VALVE



Title CWP0132RKTY, CWP0178RKTY
WIRING SCHEMATIC - PROTECTION BOARD

© temperzone limited 2009

Rev. Drawing No. 31/01/13 291-000-248
Date 31/01/13
A
Scale Apr'vd

OFF	ON	ON
1	2	3
COOL ONLY	FAULT RELAY ACTIVATED UPON FINAL LOCK OUT.	LST ACTIVATED AT -1°C
4	SPARE	

CLIENT WIRING
Interconnections between units by client.
Double insulated multi-core cable.
NOTE: CHECK WIRING BEFORE SWITCHING ON, INCORRECT CONNECTION WILL DAMAGE MOTORS.

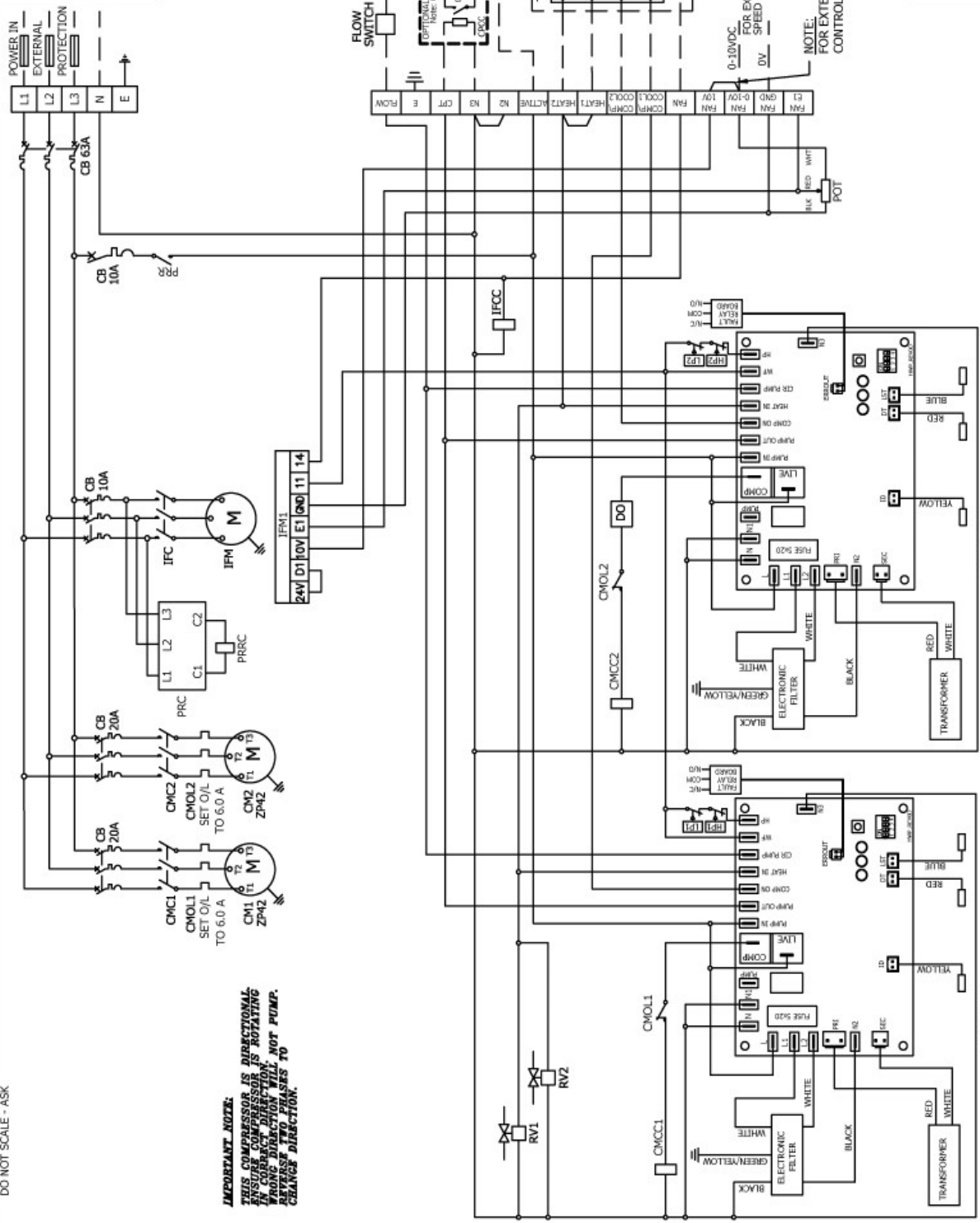
ISSUE	MODIFICATION	EC/N	DATE	APRVD
A	ORIGINAL		31/01/13	FILE

DO NOT SCALE - ASK

CWP0217R (R410A)	COMP. ZP42 RUN AMPS AT RATING - COOLING	A/PHI 4.5/4.5/4.4 X2
	INDOOR FAN MOTOR CAPACITY	KW 1.25
	INDOOR FAN MOTOR FLA	A/PHI 1.2/1.2/1.2
	TOTAL RUNNING AMPS.	A/PHI 10.2/10.2/10.0
	HFC (R410A) SYSTEM1 ZP42	kg 1.9
	HFC (R410A) SYSTEM2 ZP42	kg 1.9

IMPORTANT NOTE:
THIS COMPRESSOR IS DIRECTIONAL
ANSURE COMPRESSOR IS ROTATING
IN CORRECT DIRECTION. IF NOT PUMP.
IN CORRECT DIRECTION, PLEASE TO
CHANGE DIRECTION.

ABBR.	DESCRIPTION
CB	CIRCUIT BREAKER
CM	COMPRESSOR MOTOR
CMC	COMPRESSOR CONTACTOR
CMCC	COMPRESSOR CONTACTOR COIL
CMOL	COMPRESSOR OVERLOAD
CPC	CIRC. PUMP CONTACTOR
CPCC	CIRC. PUMP CONTACTOR COIL
CPT	CIRC. PUMP TERMINAL
DO	DELAY ON MAKE 30 SEC
FLA	FULL LOAD AMPERE
FRB	FAULT RELAY BOARD
HP	HI PRESS. CONTROL
IFC	INDOOR FAN CONTACTOR
IFCC	INDOOR FAN CONTACTOR COIL
IFM	INDOOR FAN MOTOR
LP	LOW PRESS. CONTROL
POT	POTENTIOMETER
PRC	PHASE ROTATION CONTROL
PRR	PHASE ROTATION RELAY
PRRC	PHASE ROTATION RELAY COIL
R	REVERSE CYCLE
RV	REVERSING VALVE



Title CWP0217RKTY
WIRING SCHEMATIC - PROTECTION BOARD

© temperzone limited 2009

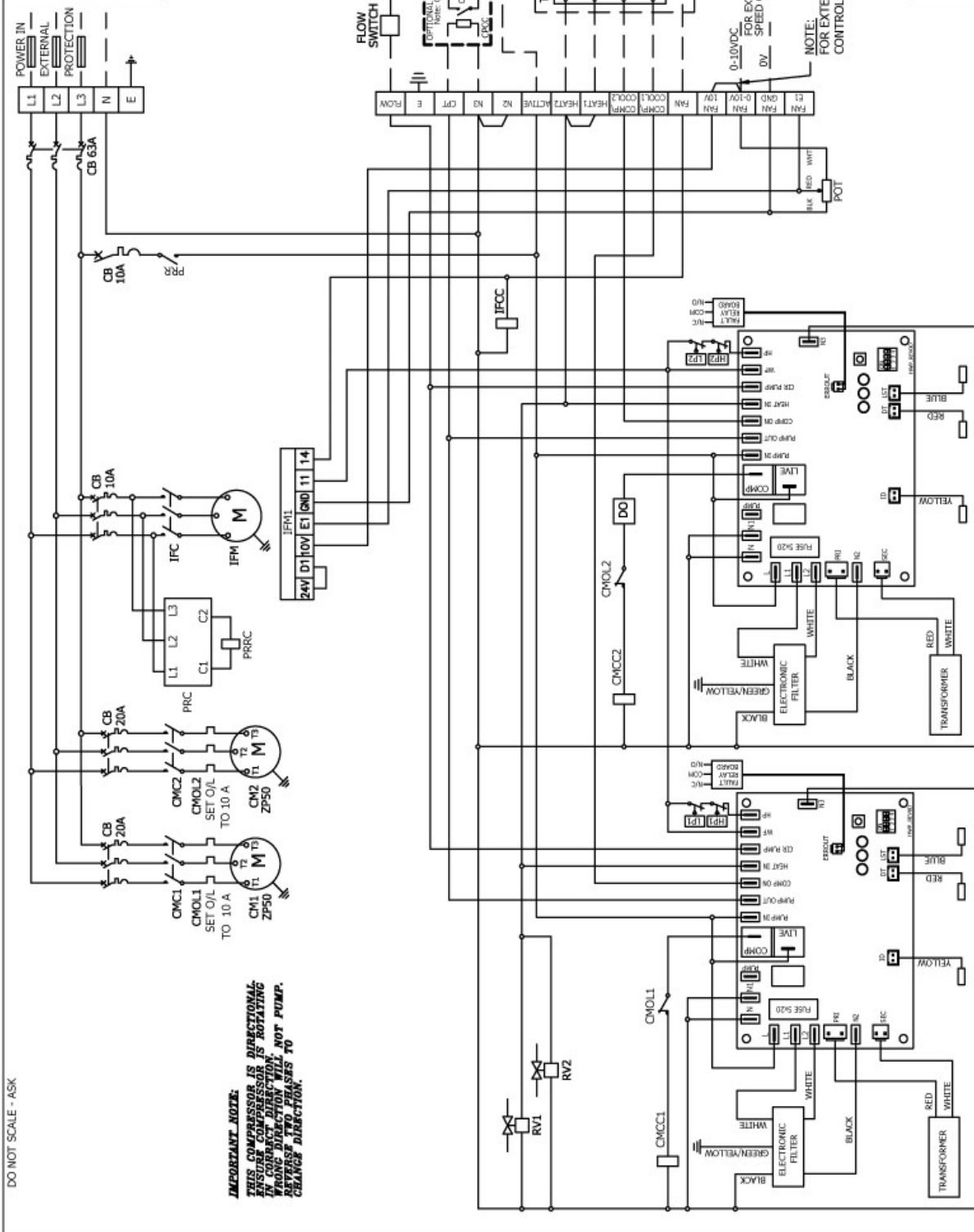
Drawn	JPB	Date	11/04/13	Rev.	B
Scale		Aprvd		Drawing No.	291-000-394

ISSUE	MODIFICATION	EC/N	DATE	APRVD	CLIENT WIRING	STANDARD DIPSWITCH SETTINGS			
						OFF	ON	OFF	ON
B	ADD IFC, CMOL 6A WAS 7A, DELETE IFR1 & IFR2	A2361	4/10/13	JPB	Interconnections between units by client. Double insulated multi-core cable.	COOL ONLY	1	HEAT PUMP	1
A	ORIGINAL		11/04/13	JPB	NOTE: CHECK WIRING BEFORE SWITCHING ON, INCORRECT CONNECTION WILL DAMAGE MOTORS.	FAULT RELAY ACTIVATED UPON FINAL LOCK OUT.	2	FAULT RELAY ACTIVATED WITH HIGH SYSTEM FAULT	2
						LIST ACTIVATED	3	LIST ACTIVATED	3
						SPARE	4	AT 2°C	4

DO NOT SCALE - ASK

CWP0266R (R410A)	
COMP. ZP50 RUN AMPS AT RATING - COOLING	A/PH 5.2/4.9/4.9 X2
INDOOR FAN MOTOR CAPACITY	KW 1.25
INDOOR FAN MOTOR FLA	A/PH 1.6/1.6/1.6
TOTAL RUNNING AMPS.	A/PH 12/11.4/11.4
HFC (R410A) SYSTEM1 ZP50	kg 2.4
HFC (R410A) SYSTEM2 ZP50	kg 2.4

IMPORTANT NOTE:
THIS COMPRESSOR IS DIRECTIONAL.
FRONT CORNER IS CORRECT DIRECTION.
FRONT CORNER IS CORRECT DIRECTION.
FRONT CORNER IS CORRECT DIRECTION.
FRONT CORNER IS CORRECT DIRECTION.
FRONT CORNER IS CORRECT DIRECTION.
FRONT CORNER IS CORRECT DIRECTION.



ABBR.	DESCRIPTION
CB	CIRCUIT BREAKER
CM	COMPRESSOR MOTOR
CMC	COMPRESSOR CONTACTOR
CMCC	COMPRESSOR CONTACTOR COIL
CMOL	COMPRESSOR OVERLOAD
CPC	CIRC. PUMP CONTACTOR
CPCC	CIRC. PUMP CONTACTOR COIL
CPT	CIRC. PUMP TERMINAL
DO	DELAY ON MAKE 30 SEC
FLA	FULL LOAD AMPERE
FRB	FAULT RELAY BOARD
HP	HI PRESS. CONTROL
IFC	INDOOR FAN CONTACTOR
IFCC	INDOOR FAN CONTACTOR COIL
IFM	INDOOR FAN MOTOR
LP	LOW PRESS. CONTROL
POT	POTENTIOMETER
PRC	PHASE ROTATION CONTROL
PRR	PHASE ROTATION RELAY
PRRC	PHASE ROTATION RELAY COIL
R	REVERSE CYCLE
RV	REVERSING VALVE

Title CWP0266RKT
WIRING SCHEMATIC - PROTECTION BOARD

temperzone
© temperzone limited 2009

temperzone

Drawn	JPB	Date	11/04/13	Rev.	B
Scale	.	Aprvd	.	Drawing No.	291-000-391

STANDARD DIPSWITCH SETTINGS			
OFF	OFF	ON	ON
COOL ONLY	1	HEAT PUMP	
FAULT RELAY ACTIVATED UPON FINAL LOCK OUT.	2	FAULT RELAY ACTIVATED WITH EACH SYSTEM FAULT	
LST ACTIVATED AT 2°C	3	LST ACTIVATED AT 1°C	
SPARE	4		

CLIENT WIRING			
EC/N	DATE	APRVD	ISSUE
ADDED JFC, REMOVED IFR1 & IFR2	15/01/14	JPB	B
ORIGINAL	11/04/13	JPB	A
MODIFICATION			

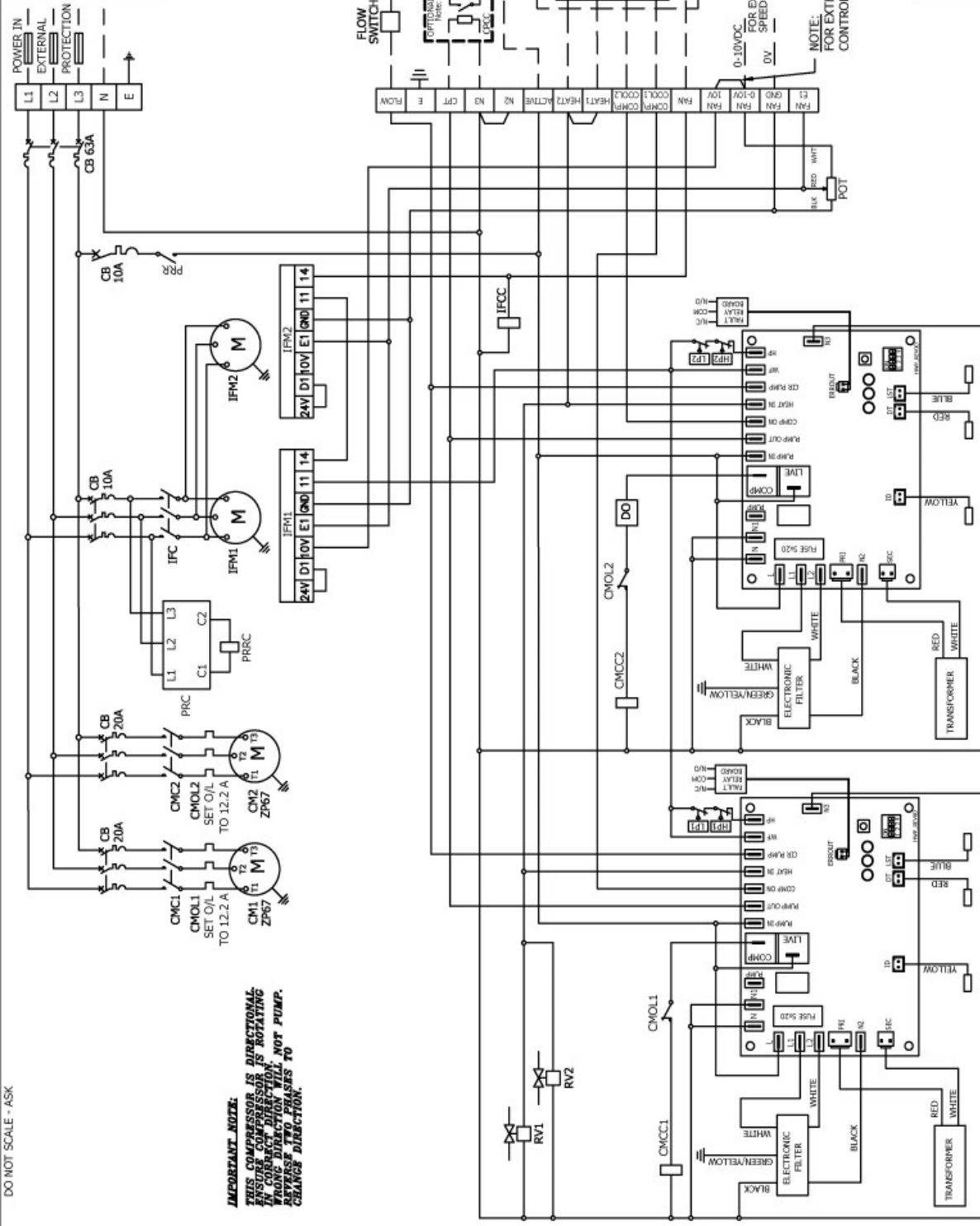
Interconnections between units by client.
Double insulated multi-core cable.
NOTE: CHECK WIRING BEFORE SWITCHING ON, INCORRECT CONNECTION WILL DAMAGE MOTORS.

DO NOT SCALE - ASK

CWP0374R (R410A)	
COMP. ZP67 RUN AMPS AT RATING - COOLING	A/PH 7.3/7.1/7.1 x2
INDOOR FAN MOTOR CAPACITY	KW 1.25 x 2
INDOOR FAN MOTOR FLA	A/PH 2.1/2.1/2.1
TOTAL RUNNING AMPS.	A/PH 16.7/16.3/16.3
HFC (R410A) SYSTEM1 ZP67	kg 2.9
HFC (R410A) SYSTEM2 ZP67	kg 2.9

IMPORTANT NOTE:
 THIS COMPRESSOR IS DIRECTIONAL.
 ENSURE COMPRESSOR IS ROTATING
 IN CORRECT DIRECTION. IF NOT,
 REVERSE TWO PHASES TO
 CHANGE DIRECTION.

ABBR.	DESCRIPTION
CB	CIRCUIT BREAKER
CM	COMPRESSOR MOTOR
CMC	COMPRESSOR CONTACTOR
CMCC	COMPRESSOR CONTACTOR COIL
CMOL	COMPRESSOR OVERLOAD
CPC	CIRC. PUMP CONTACTOR
CPCC	CIRC. PUMP CONTACTOR COIL
CPT	CIRC. PUMP TERMINAL
DO	DELAY ON MAKE 30 SEC
FLA	FULL LOAD AMPERE
FRB	FAULT RELAY BOARD
HP	HI PRESS. CONTROL
IFC	INDOOR FAN CONTACTOR
IFCC	INDOOR FAN CONTACTOR COIL
IFM	INDOOR FAN MOTOR
LP	LOW PRESS. CONTROL
POT	POTENTIOMETER
PRC	PHASE ROTATION CONTROL
PRRC	PHASE ROTATION RELAY
R	REVERSE CYCLE
RV	REVERSING VALVE



NOTE:
 FOR EXTERNAL SPEED
 CONTROL REMOVE LINK

Title CWP0374RKTY
 WIRING SCHEMATIC - PROTECTION BOARD

temperzone
 © temperzone limited 2009

Drawn	JPB	Date	11/04/13
Scale	.	Aprvd	.
Drawing No.	291-000-388		
Rev.	B		

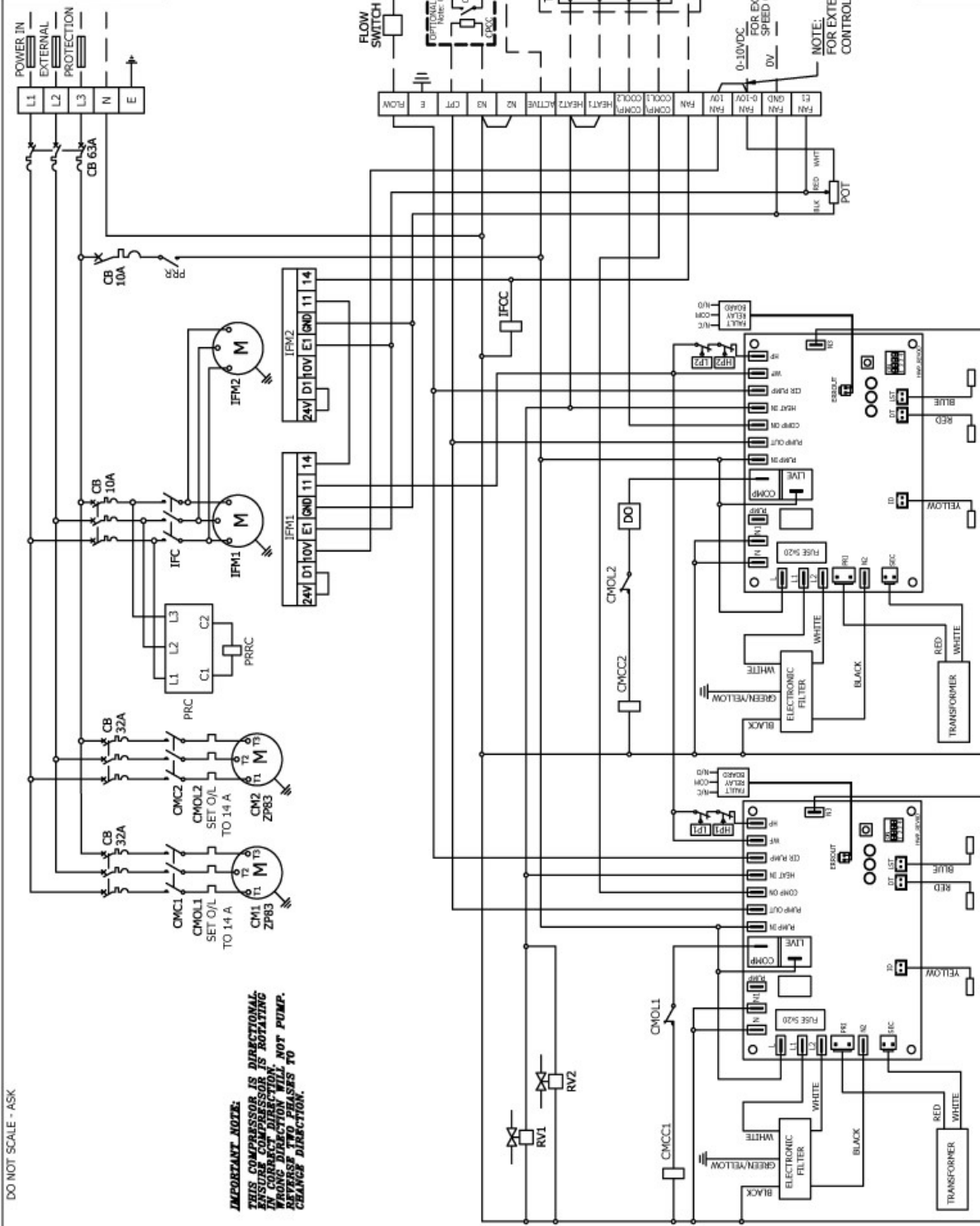
ISSUE	MODIFICATION	EC/N	DATE	APRVD	STANDARD DIPSWITCH SETTINGS			
					OFF	ON	ON	ON
B	ADDED IFC REMOVED IFR1 & IFR2		4/10/13	JPB	COOL ONLY	1	OFF	HEAT PUMP
A	ORIGINAL		11/04/13	JPB	FAULT RELAY ACTIVATED UPON FINAL LOCK OUT	2	ON	FAULT RELAY ACTIVATED WITH EACH SYSTEM FAULT
					LIST ACTIVATED AT -2°C	3	ON	LIST ACTIVATED AT -1°C
					SPARE	4	ON	

CLIENT WIRING
 Interconnections between units by client.
 Double insulated multi-core cable.
 NOTE: CHECK WIRING BEFORE SWITCHING ON, INCORRECT CONNECTION WILL DAMAGE MOTORS.

DO NOT SCALE - ASK

CWP0447R (R410A)	
COMP. ZP83 RUN AMPS AT RATING - COOLING	A/PH 10.1/9.9/10.0
INDOOR FAN MOTOR CAPACITY	KW 1.25 x 2
INDOOR FAN MOTOR FLA	A/PH 2.1/2.1/2.1
TOTAL RUNNING AMPS.	A/PH 22.3/21.9/22.1
HFC (R410A) SYSTEM1 ZP83	kg 4.5
HFC (R410A) SYSTEM2 ZP83	kg 4.5

IMPORTANT NOTE:
THIS COMPRESSOR IS DIRECTIONAL.
INDOOR COMPRESSOR IS ROTATING
CLOCKWISE. REVERSE DIRECTION WILL NOT PUMP.
REVERSE TWO PHASES TO
CHANGE DIRECTION.



ABBR.	DESCRIPTION
CB	CIRCUIT BREAKER
CM	COMPRESSOR MOTOR
CMC	COMPRESSOR MOTOR
CMCC	COMPRESSOR CONTACTOR COIL
CMOL	COMPRESSOR OVERLOAD
CPC	CIRC. PUMP CONTACTOR
CPCC	CIRC. PUMP CONTACTOR COIL
CPT	CIRC. PUMP TERMINAL
DO	DELAY ON MAKE 30 SEC
FLA	FULL LOAD AMPERE
FRB	FAULT RELAY BOARD
HP	HI PRESS. CONTROL
IFC	INDOOR FAN CONTACTOR
IFCC	INDOOR FAN CONTACTOR COIL
IFM	INDOOR FAN MOTOR
LP	LOW PRESS. CONTROL
POT	POTENTIOMETER
PRC	PHASE ROTATION CONTROL
PRR	PHASE ROTATION RELAY
PRRC	PHASE ROTATION RELAY COIL
R	REVERSE CYCLE
RV	REVERSING VALVE

Title CWP0447RKTY
WIRING SCHEMATIC - PROTECTION BOARD



temperzone limited
2009

291-000-385

Rev.	B
Date	11/04/13
Drawn	JPB
Scale	Aprvd

STANDARD DIPSWITCH SETTINGS	
OFF	ON
COOL ONLY	HEAT PUMP
1	1
FAULT RELAY ACTIVATED UPON FINAL LOCK OUT.	FAULT RELAY ACTIVATED WITH EACH SYSTEM FAULT
2	2
LIST ACTIVATED AT -2°C	LIST ACTIVATED AT -1°C
3	3
SPARE	4

CLIENT WIRING
Interconnections between units by client.
Double insulated multi-core cable.
NOTE: CHECK WIRING BEFORE SWITCHING ON, INCORRECT CONNECTION WILL DAMAGE MOTORS.

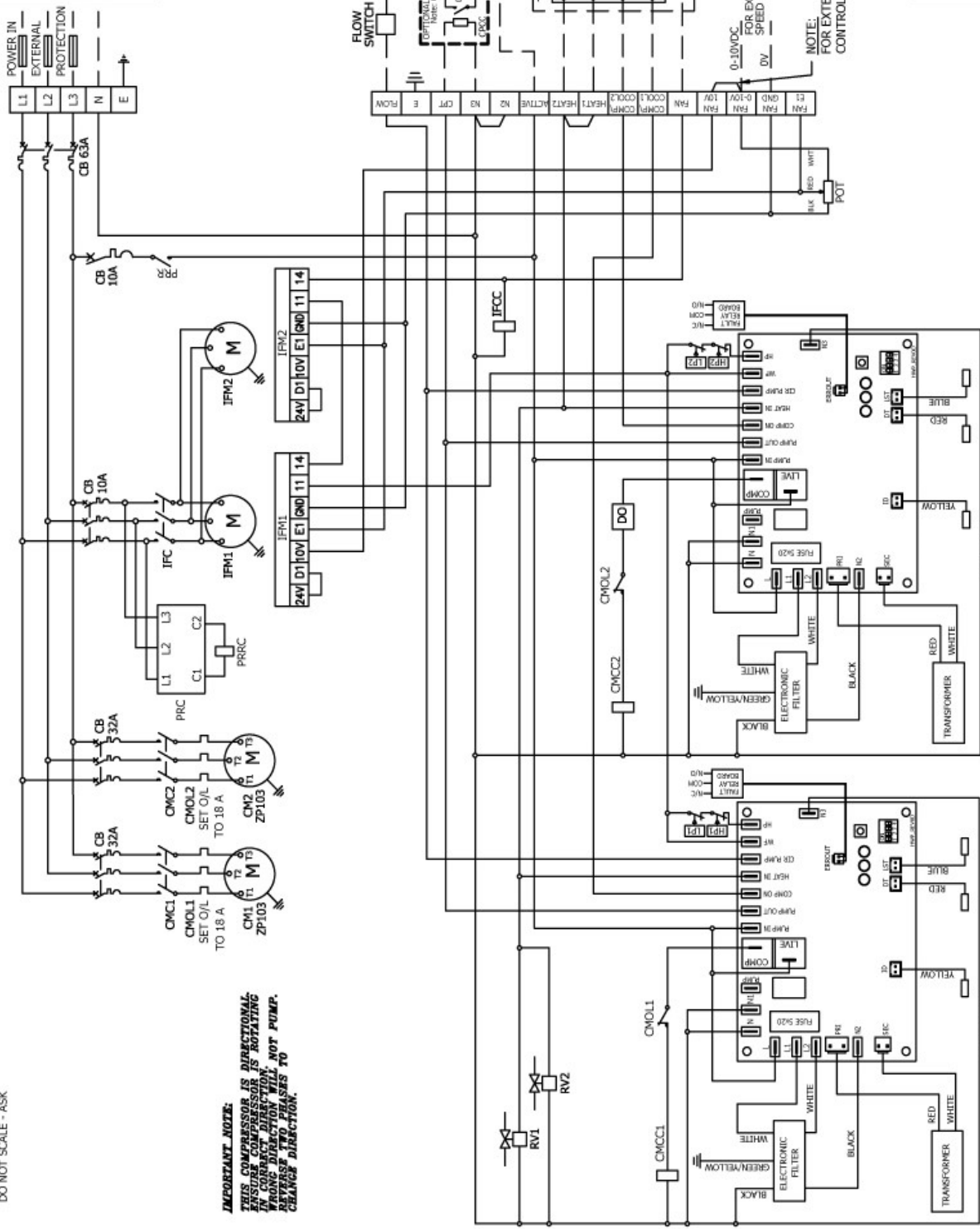
ISSUE	MODIFICATION	EC/N	DATE	APRVD
B	ADDED JFC REMOVED IFR1 & IFR2		15/01/14	JPB
A	ORIGINAL		11/04/13	JPB

DO NOT SCALE - ASK

IMPORTANT NOTE:
 THIS COMPRESSOR IS DIRECTIONAL.
 INSURE COMPRESSOR IS ROTATING
 IN THE CORRECT DIRECTION. IF NOT,
 REVERSE TWO PHASES TO
 CHANGE DIRECTION.

CWP0568R (R410A)		
COMP. ZP103 RUN AMPS AT RATING - COOLING	A/PH	13.2/12.8/12.7
INDOOR FAN MOTOR CAPACITY	KW	1.4 x 2
INDOOR FAN MOTOR FLA	A/PH	5.4/5.3/5.4
TOTAL RUNNING AMPS.	A/PH	31.8/36.4/30.8
HFC (R410A) SYSTEM1 ZP103	kg	5.25
HFC (R410A) SYSTEM2 ZP103	kg	5.25

ABBR.	DESCRIPTION
CB	CIRCUIT BREAKER
CM	COMPRESSOR MOTOR
CMC	COMPRESSOR CONTACTOR
CMCC	COMPRESSOR CONTACTOR COIL
CMOL	COMPRESSOR OVERLOAD
CPC	CIRC. PUMP CONTACTOR
CPCC	CIRC. PUMP CONTACTOR COIL
CPT	CIRC. PUMP TERMINAL
DO	DELAY ON MAKE 30 SEC
FLA	FULL LOAD AMPERE
FRB	FAULT RELAY BOARD
HP	HI PRESS. CONTROL
IFC	INDOOR FAN CONTACTOR
IFCC	INDOOR FAN CONTACTOR COIL
IFM	INDOOR FAN MOTOR
LP	LOW PRESS. CONTROL
POT	POTENTIOMETER
PRC	PHASE ROTATION CONTROL
PRR	PHASE ROTATION RELAY
PRRC	PHASE ROTATION RELAY COIL
R	REVERSE CYCLE
RV	REVERSING VALVE



Title CWP0568RKY
 WIRING SCHEMATIC - PROTECTION BOARD

temperzone limited 2009

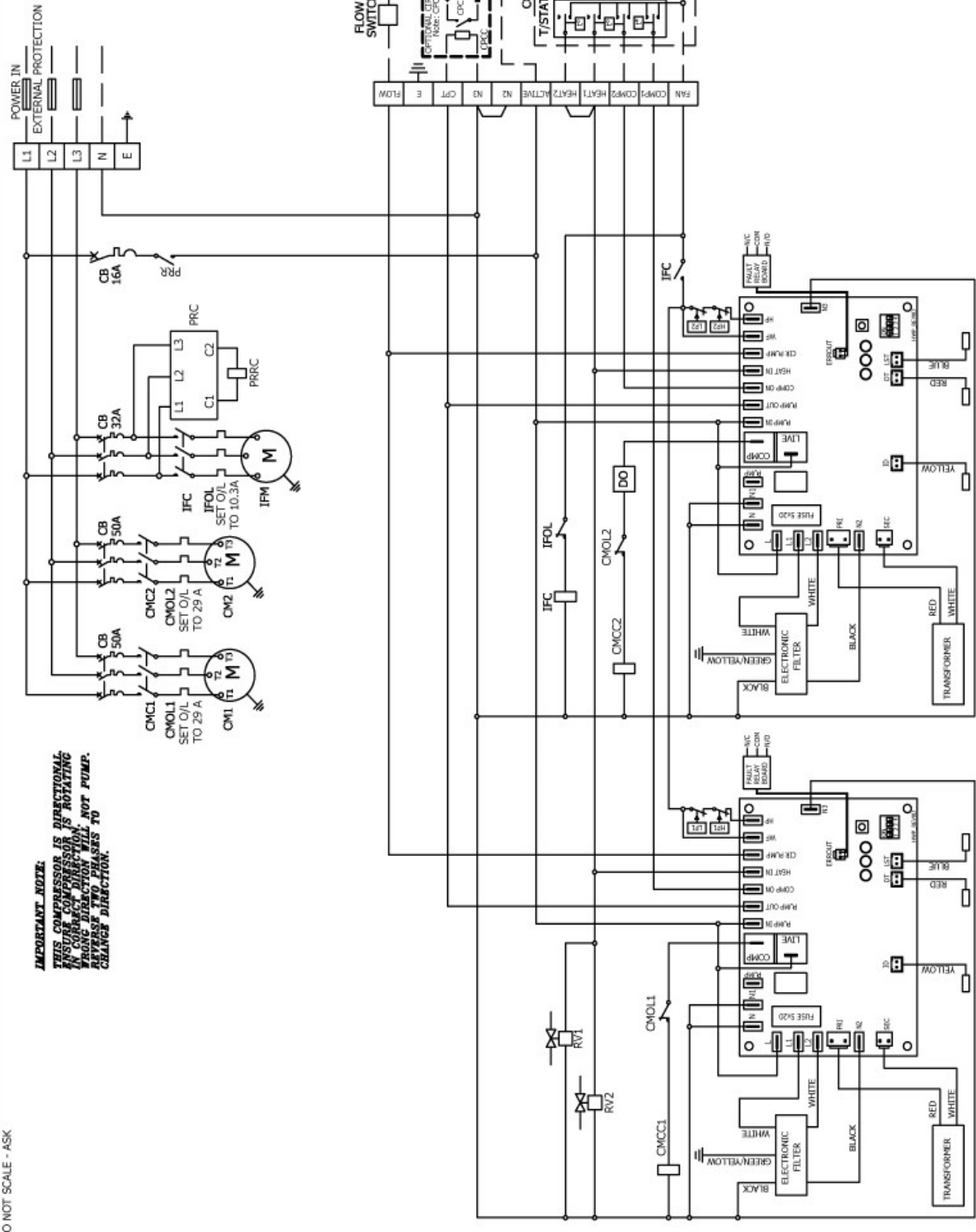
STANDARD DIPSWITCH SETTINGS			
OFF	OFF	ON	ON
1	COOL ONLY	HEAT PUMP	HEAT PUMP
2	FAULT RELAY ACTIVATED UPON FINAL LOCK OUT.	FAULT RELAY ACTIVATED WITH FAULT SYSTEM FAULT	FAULT RELAY ACTIVATED WITH FAULT SYSTEM FAULT
3	LIST ACTIVATED AT 2°C	LIST ACTIVATED AT 2°C	LIST ACTIVATED AT 2°C
4	SPINE	SPINE	SPINE

CLIENT WIRING
 Interconnections between units by client.
 Double insulated multi-core cable.
NOTE: CHECK WIRING BEFORE SWITCHING ON, INCORRECT CONNECTION WILL DAMAGE MOTORS.

ISSUE	MODIFICATION	EC/N	DATE	APRVD
B	ADDED IFC REMOVED IFR1 & IFR2		15/01/14	JPB
A	ORIGINAL		11/04/13	JPB

DO NOT SCALE - ASK

IMPORTANT NOTE:
THIS COMPRESSOR IS DIRECTIONAL. IN CORRECT DIRECTION, ROTATING WRONG DIRECTION WILL NOT PUMP. ALWAYS CHECK PHASES TO AVOID DAMAGE TO COMPRESSOR.



ABBR.	DESCRIPTION
CAP	CAPACITOR
CB	CIRCUIT BREAKER
CM	COMPRESSOR MOTOR
CMC	COMPRESSOR CONTACTOR
CMCC	COMPRESSOR CONTACTOR COIL
CMOL	COMPRESSOR OVERLOAD
CPC	CIRC. PUMP CONTACTOR
CPOC	CIRC. PUMP CONTACTOR COIL
CPT	CIRC. PUMP TERMINAL
DO	DELAY ON MAKE 30 SEC
FLA	FULL LOAD AMPERE
FRB	FAULT RELAY BOARD
HP	HI PRESS. CONTROL
IFC	INDOOR FAN CONTACTOR
IFCC	INDOOR FAN CONTACTOR COIL
IFM	INDOOR FAN MOTOR
IFOL	INDOOR FAN CONTACTOR OVERLOAD
LP	LOW PRESS. CONTROL
PRC	PHASE ROTATION CONTROL
PRR	PHASE ROTATION RELAY
PRRC	PHASE ROTATION RELAY COIL
R	REVERSE CYCLE
RV	REVERSING VALVE

CWP0890R (R410A)			
COMP. SH161x 2 RUN AMPS AT RATING - COOLING	A/PH	18.4/18.8/18.7	
INDOOR FAN MOTOR CAPACITY	KW	5.5	
INDOOR FAN MOTOR FLA	A/PH	10.3/10.3/10.3	
TOTAL RUNNING AMPS.	A/PH	45.1/46.0/45.7	
HFC (R410A)	kg/SYS	5.7	

Title
CWP0890RKTN
WIRING SCHEMATIC - PROTECTION BOARD

temperzone limited 2009

Rev. C
Drawing No. 570-604-002
Date 27.01.09
Drawn UA
Scale
App'd MMG

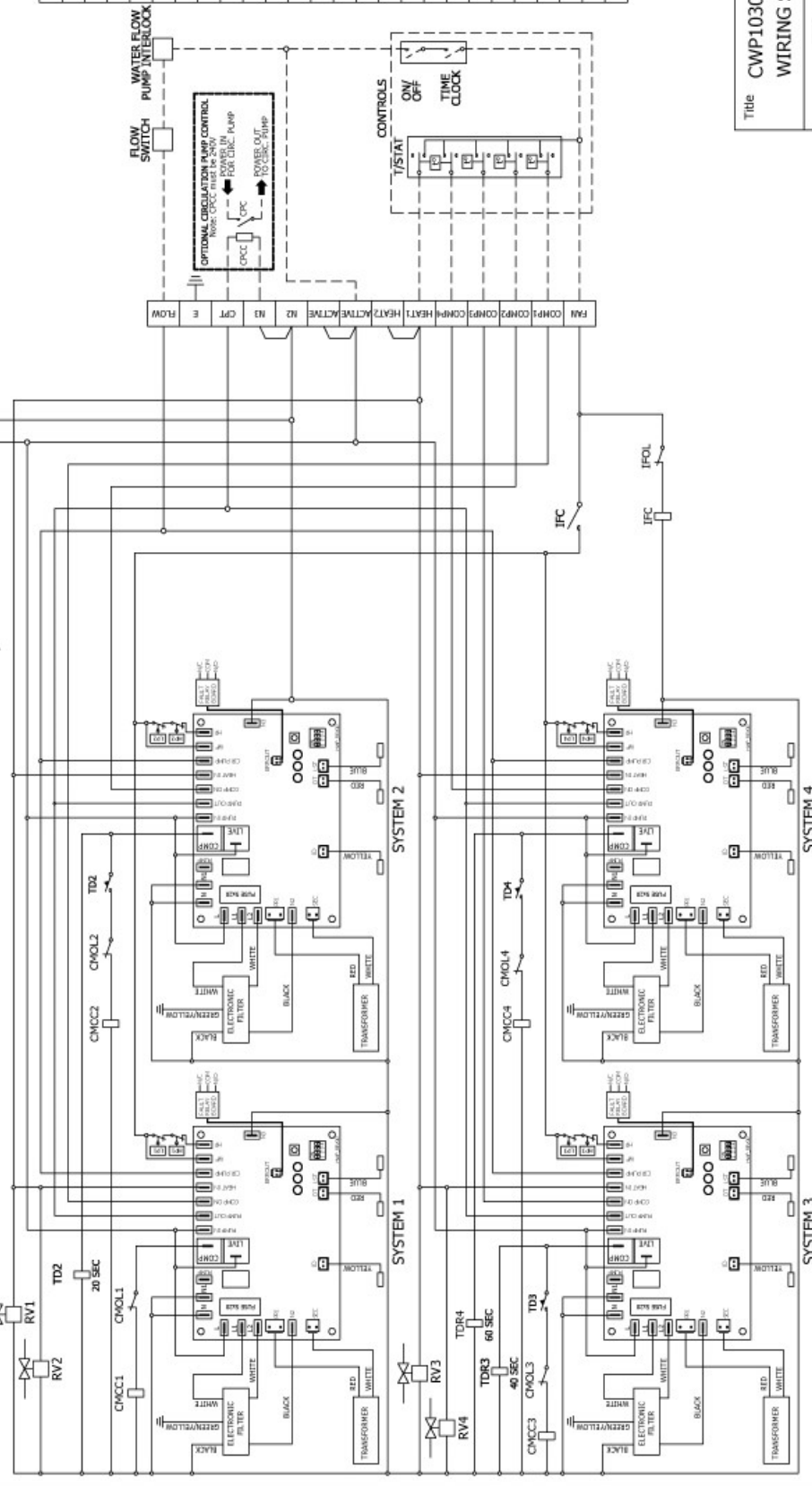
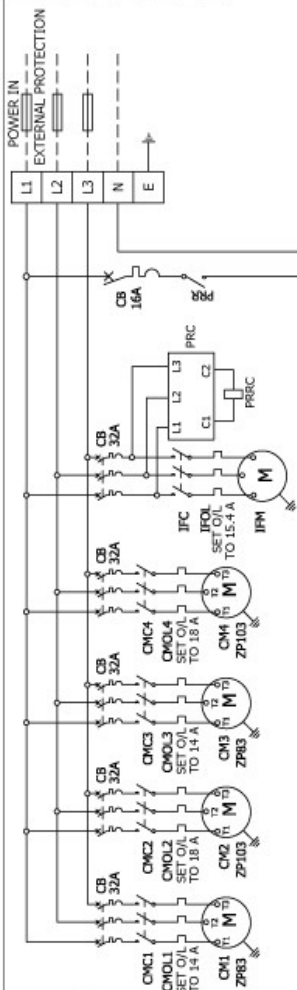
ISSUE	MODIFICATION	EC/N	DATE	APR/VD	U/A	JPB	PVU	A16/29	29/10/09	17/07/09	27/01/09
C	MODIFIED THE SEQUENCE OF THE TERMINALS										
B	UPDATE PCB REV D, STANDARDISED FORMAT										
A	ORIGINAL										

SYSTEM 1				SYSTEM 2			
OFF	ON	OFF	ON	OFF	ON	OFF	ON
1	COOL ONLY	2	FAULT RELAY ACTIVATED UPON FINAL LOCK OUT.	3	FAULT RELAY ACTIVATED WITH BACK SYSTEM FAULT	4	LIST ACTIVATED AT -1°C
	SPARE						

CLIENT WIRING	
Interconnections between units by client.	
Double insulated multi-core cable.	
NOTE: CHECK WIRING BEFORE SWITCHING ON, INCORRECT CONNECTION WILL DAMAGE MOTORS.	

DO NOT SCALE - ASK

IMPORTANT NOTE:
THIS COMPRESSOR IS DIRECTIONAL.
IN CORRECT DIRECTION.
WRONG DIRECTION WILL NOT PUMP.
CHANGING DIRECTION.



ABBR.	DESCRIPTION
CAP	CAPACITOR
CB	CIRCUIT BREAKER
CM	COMPRESSOR MOTOR
CMC	COMPRESSOR CONTACTOR
CMCC	COMPRESSOR CONTACTOR COIL
CMOL	COMPRESSOR OVERLOAD
CPC	CIRC. PUMP CONTACTOR
CPCC	CIRC. PUMP CONTACTOR COIL
CPT	CIRC. PUMP TERMINAL
DO	DELAY ON MAKE
FLA	FULL LOAD AMPERE
FM	FAN MOTOR
FRB	FAULT RELAY BOARD
FROT	FAN RUN ON TIMER
HP	HI PRESS. CONTROL
IFC	INDOOR FAN CONTACTOR
IFCC	INDOOR FAN CONTACTOR COIL
IFM	INDOOR FAN MOTOR
IFOL	INDOOR FAN CONTACTOR OVERLOAD
LP	LOW PRESS. CONTROL
PRR	PHASE ROTATION RELAY
PRRC	PHASE ROTATION RELAY COIL
R	REVERSE CYCLE
RV	REVERSING VALVE

Title CWP1030RKTN
WIRING SCHEMATIC - PROTECTION BOARD

©temperzone limited
2009

Drawing No.	Date	Aprvd	MMG
570-684-002	17.03.09	.	.
Rev.	D		

STANDARD DIPSWITCH SETTINGS			
OFF	ON	ON	ON
COOL ONLY	1	HEAT PUMP	
FAULT RELAY ACTIVATED UPON FINAL LOCK OUT.	2	FAULT RELAY ACTIVATED WITH EACH SYSTEM FAULT	
LST ACTIVATED AT 2°C	3	LST ACTIVATED AT 1°C	
SPARE	4		

ISSUE	MODIFICATION	EC/N	DATE	APRVD	JPB	CLIENT WIRING	
						DHB	PYU
D	SYSTEMS 1&3 WERE ZP103, 2&4 WERE ZP83	A1688	12/10/10			Interconnections between units by client.	
C	REMODIFIED THE WIRING OF THE FROT BOARD	A1629	28/10/09			Double insulated multi-core cable.	
B	UPDATE PCB REV D, STANDARDISED FORMAT	R0082	17/07/09			NOTE-CHECK WIRING BEFORE SWITCHING ON, INCORRECT CONNECTION WILL DAMAGE MOTORS.	



temperzone australia pty ltd

Sydney: (02)8822 5700

Brisbane: (07) 33088333

Adelaide: (08) 8340 0607

Tasmania: (03) 63314209

Newcastle: (02) 4962 1155

Perth: (08)9314 3844

Melbourne: (03) 8769 7600

Townsville: (07) 4773 9566

www.temperzone.biz

The Manufacturer reserves the right to change specifications without prior notice.

