

SPECIFICATIONS



Indoor Unit	(525-311-711)	ISD 164KYX
Outdoor Unit	(536-311-311)	OSA 164RKTGH
Cooling capacity (net) to AS/NZS 3823 T1		16.0 kW
Heating capacity H1		15.0 kW
Electrical input - cooling		5.1 kW
Electrical input - heating		4.15 kW
EER / AEER (cooling)		3.13 / 3.12
Unit Controllers		UC8 / IUC
Refrigerant		R410A
Refrigerant precharge for 10 m		5.7 kg
Additional charge req'd for over 10 m		50 g/m
Base refrigerant charge OSA		5.2 kg
Maximum line length		60 m
Separation limit: OSA above ISD		20 m
Separation limit: OSA below ISD		20 m
Suction line		19 mm OD
Liquid line		9.5 mm OD
Compressor oil type		POE 32-3MAF (or equivalent)
Additional oil charge over 40m line length		10 ml/m
Compressor type		digital scroll
Power supply via OSA		3 ph. 400V ac 50Hz
Compressor (3ph.) run amps at rating cond.		7.2 A
Indoor fan motor size		900 W
Rated indoor fan speed		MED
Indoor fan motor (1ph.) - full load		3.7 A
Outdoor fan motor (1ph.) - full load		0.9 A (x2)
Outdoor fan capacitor size		5 μ fd (x2)
Control circuit breaker (internal)		16 A
Running amps (total system)		10.3 / 7.2 / 7.2 A
Max. running amps (total system)		12 A
Net weight ISD		83 kg
Net weight OSA		134 kg

Accessories:

ISD Spring mounting kit	307-161-101
ISD Spigot plate adaptor Ø450 x 2	525-311-715
ISD Filter box c/w EU2/G2 filter (NZ only)	493-000-006
ISD Replacement filter (NZ only)	119-000-082
ISD Supply air plenum Ø400 x 3 (NZ only)	492-000-005
ISD Return air plenum Ø400 x 2 (NZ only)	492-100-005
ISD Fresh air inlet spigot Ø150 (NZ only)	325-000-051
OSA Drain connection adaptor 25/13mm	060-000-039
OSA Anti-vibration mounts - rubber (x4)	060-000-170
OSA Wall mounting kit	526-061-007

Optional Controls:

SAT-3 Room temperature controller	201-000-146
Six Zone Control kit for SAT-3	201-000-073
TZT-100 Room temperature controller	201-000-350

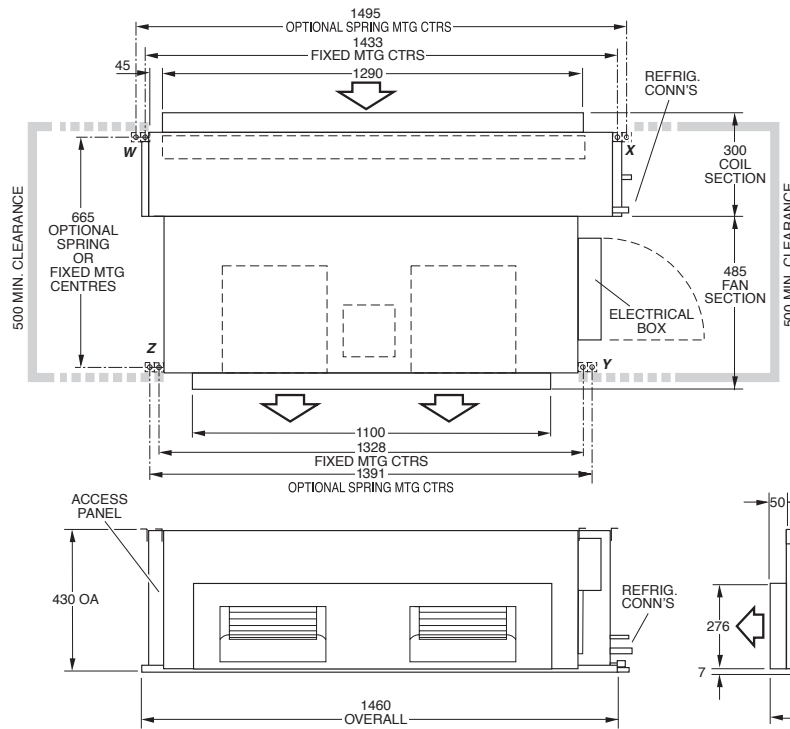
Refer to temperzone for other options, eg remote sensors, connection wires.

DIMENSIONS (mm)



Not to Scale

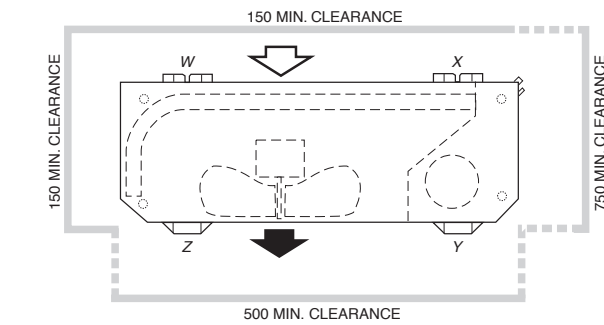
ISD 164KYX Indoor Unit



POINT LOADS (kg)			
W	X	Y	Z
22	23	21	17

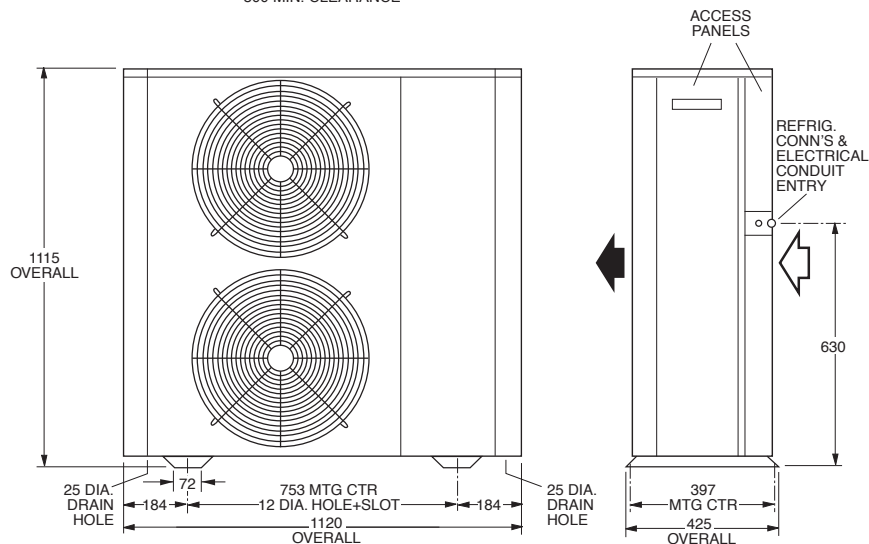
Note: Fan motor can be accessed from panel above, below or sides; no more than two panels at once.

OSA 164RKTG Outdoor Unit



POINT LOADS (kg)			
W	X	Y	Z
16	56	46	30

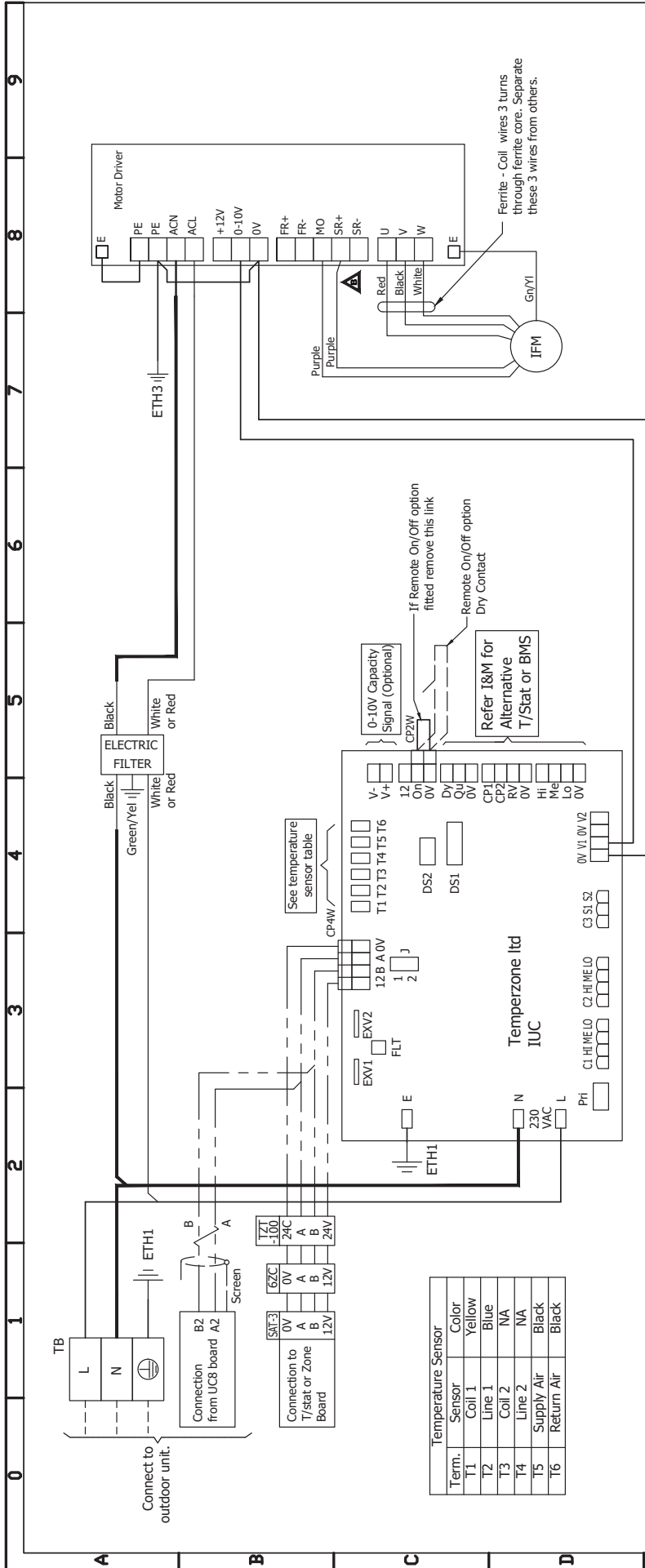
Recommended Connecting Pipe Sizes
 Suction : 19 mm OD
 Liquid : 10 mm OD



NOTE

Specifications are subject to change without notice due to the manufacturer's ongoing research and development programme.





Term.	Sensor	Color
T1	Coil 1	Yellow
T2	Line 1	Blue
T3	Coil 2	NA
T4	Line 2	NA
T5	Supply Air	Black
T6	Return Air	Black

Factory Default DIP switch Selections for Models								
DS1 DIP switch selections			DS2 DIP switch selections			Reserved		
UNIT	DIP 1	DIP 2	DIP 3	DIP 4	DIP 5	DIP 6	DIP 7	DIP 8
ISD164	On	On	Off	On	Off	Off	Off	Off

IUC Board Jumper selection (J)	
Position	Definition
1	Cable length >10m and IUC is at terminating of cable.
2	Cable length <10m and/or not at cable terminating end. (DEFAULT)

6ZC	6 Zone Controller
CP2W	Connector Plug 2 Way
CP4W	Connector Plug 4 Way
IFM	Indoor Fan Motor
IUC	Indoor Unit Controller
SAT-3	SAT-3 Controller
TB	Terminal Block
TZ1-100	TZ1-100 Controller
R	Resistor

REV	DESCRIPTION	ECN	DATE	APPROVED
A	Initial Release removed from 291-000-598	N4048	21-06-18	N.N.M
B	Removed 10k ohm resistor from Motor Driver	N4171	13-06-19	D.J.S

Site commissioning DIP switch setting options					
Step 1: Set Output Voltage for HIGH			Step 2: Set Voltage Range LOW-HIGH		
DIP 1	DIP 2	DIP 3	DIP 4	DIP 5	RANGE
Off	Off	Off	Off	Off	2
On	Off	Off	On	Off	3
Off	On	Off	Off	On	4.5
Off	On	Off	On	On	6

Notes:
To adjust indoor fan speed L/W/H settings see section 5.2.6 of Installation & Maintenance document

©temperzone Ltd 2018

DO NOT SCALE - ASK

Client Wiring

Date: 21-06-18

Drawn: N.N.M
Approved: SR

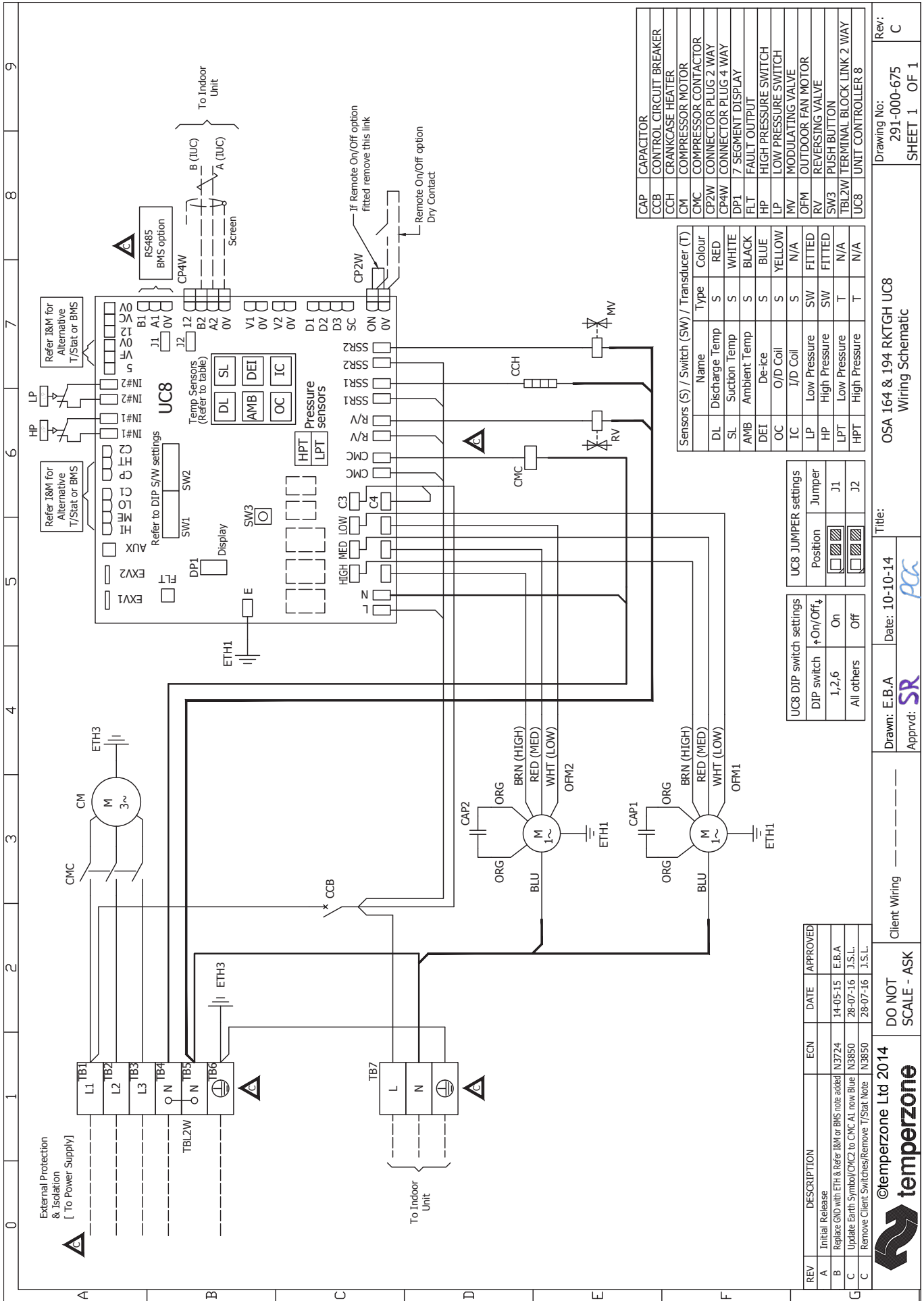
Title: ISD 164KXX Wiring Schematic

Drawing No: 291-002-675
SHEET 1 OF 1

Rev: B

OUTDOOR UNIT WIRING

Indoor-Outdoor Connection Wiring: refer 'Installation & Maintenance' pamphlet, page 6.



Drawing No: 291-000-675
SHEET 1 OF 1

Rev: C

Title: OSA 164 & 194 RKTGH UC8 Wiring Schematic

Drawn: E.B.A Date: 10-10-14
Apprvd: SR

Client Wiring

DO NOT SCALE - ASK

temperzone Ltd 2014
temperzone