

# SPECIFICATIONS



<b>Model</b>	<b>HWP 192RKT</b>
Item No. (Standard / Opposite Hand)	509-192-001 / 509-192-011
Cooling capacity (net) to AS/NZS 3823 T1	19.9 kW
Heating capacity H1	18.6 kW
Electrical input - cooling	4.8 kW
Electrical input - heating	4.5 kW
EER / AEER (cooling)	4.11 / 4.09
COP / ACOP (heating)	4.17 / 4.15
Unit Controller	UC8
Refrigerant	R410A
Refrigerant charge	2.7 kg
Compressor type	scroll
Water connections	1" male BSP
Nominal EWT/EAT on cooling	30°C / 27°C db, 19°C wb
Nominal EWT/EAT on heating	20°C / 20°C
Nominal Water Flow @ EWT – LWT = 5k	1.26 l/s
Entering system pressure drop @ nominal flow	34 kPa (5 psi)
Min. water temp. Heat cycle at nominal flow & EAT	10°C
Min. water temp. Cool cycle at nominal flow & EAT	15°C
Min. water temp. Cool cycle with water flow control valve	5°C
Max. EWT Heat cycle at nominal flow & EAT	30°C
Max. EWT Cool cycle at nominal flow & EAT	50°C
Min. water flow @ nominal EWT & EAT	0.35 l/s
Max. water pressure – excluding hoses	3200 kPa (464psi)
Power supply	3 ph. 400V ac 50Hz
Compressor run amps at rating cond.	7 A
Indoor fan motor size	750 W
Indoor fan motor (1ph.) - full load	6.0 A
Control circuit breaker (internal)	10 A
Running amps (total system)	12 / 7 / 7 A
Max. running amps (total system)	16 / 10.8 / 10.8 A
Net weight	177 kg

### Accessories:

Spring mounts	supplied
Water hoses 800mm long, rated 300psi	1" female BSP, supplied
Replacement filter EU2 rated	119-000-103 1163x405x13
Condensate lift-pump	507-003-010

### Optional:

SAT-3 Room temperature controller	201-000-146
TZT-100 Room temperature controller	201-000-350

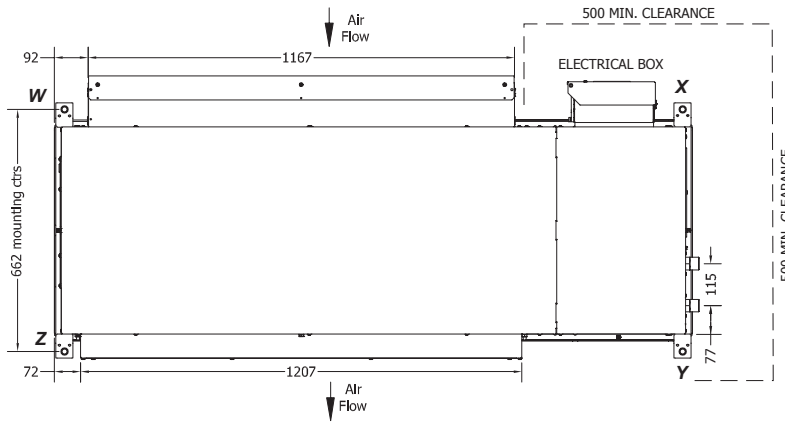
Refer to temperzone for other options, eg remote sensors

# DIMENSIONS (mm)



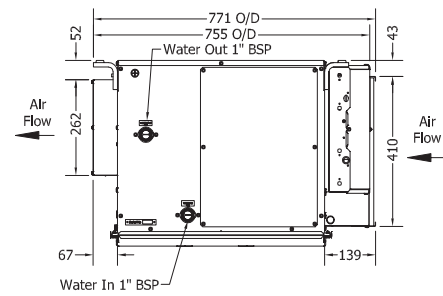
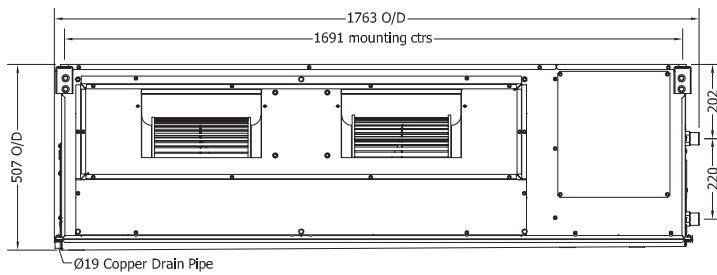
Not to Scale

## HWP 192RKT Standard



POINT LOADS (kg)			
W	X	Y	Z
45	53	59	20

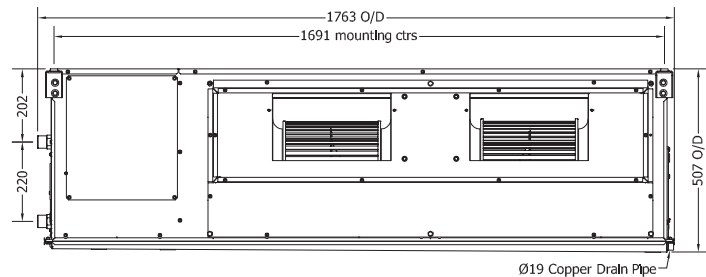
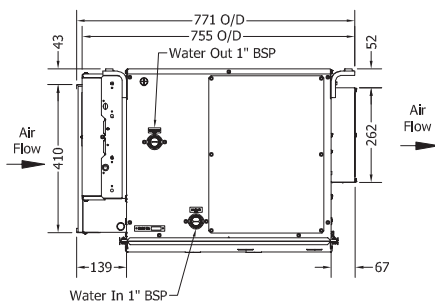
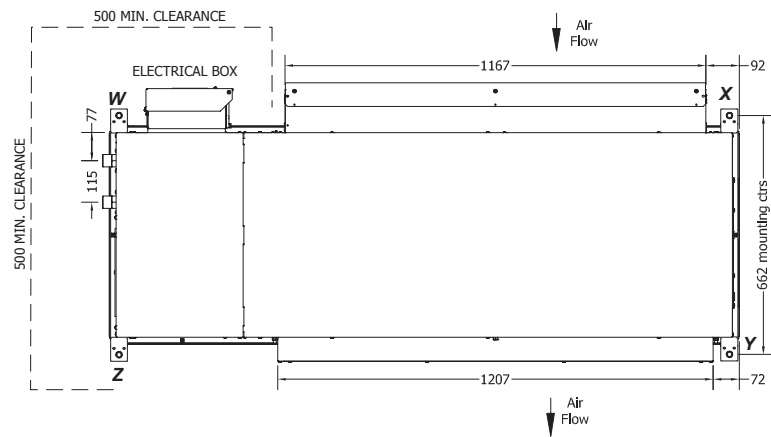
**Note:** Fan motor can be accessed from panel above, below or sides; no more than two panels at once.



## HWP 192RKT Opposite Hand

POINT LOADS (kg)			
W	X	Y	Z
59	45	20	53

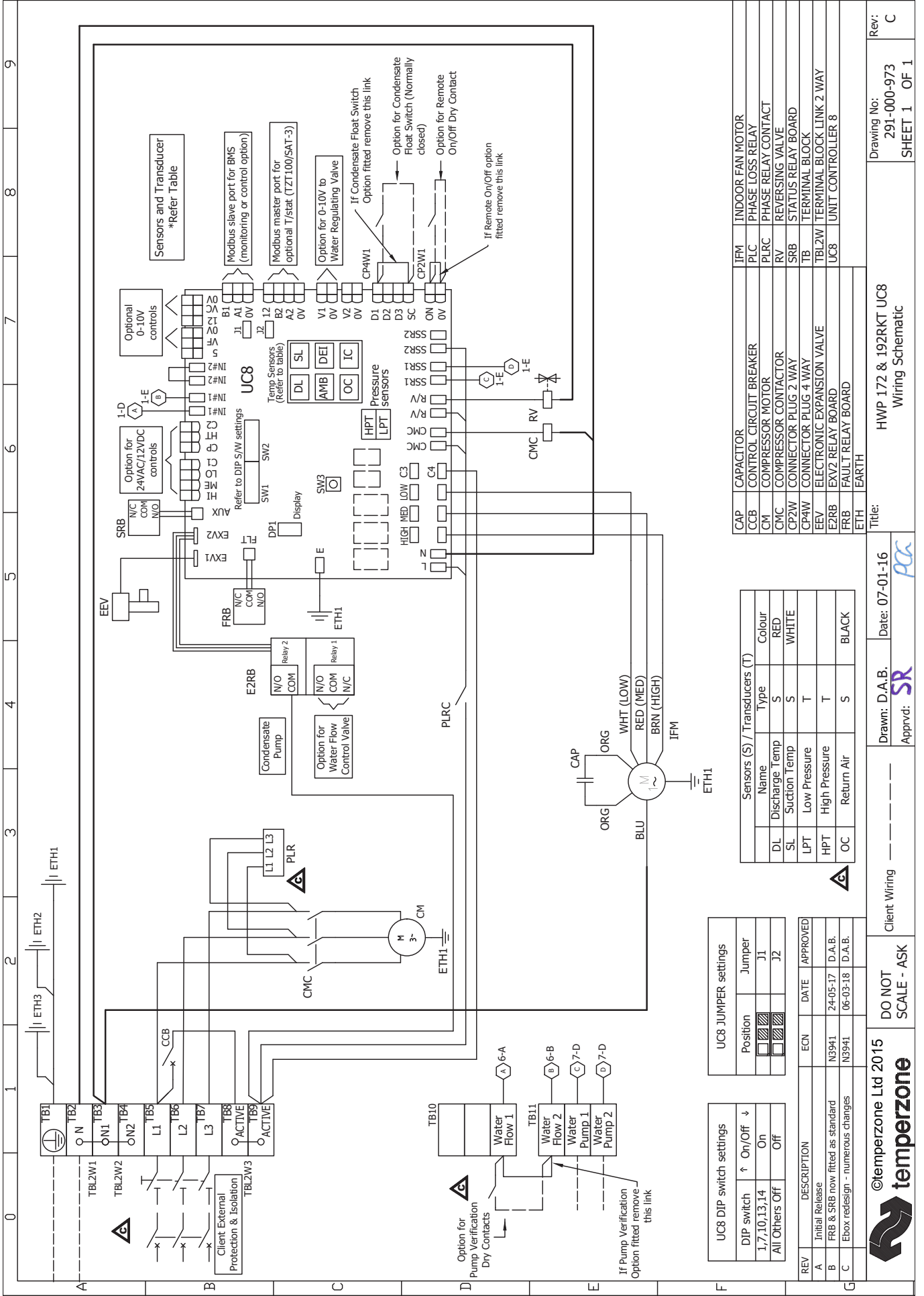
**Note:** Fan motor can be accessed from panel above, below or sides; no more than two panels at once.



### NOTE

Specifications are subject to change without notice due to the manufacturer's ongoing research and development programme.





IFM	INDOOR FAN MOTOR
PLC	PHASE LOSS RELAY
PLRC	PHASE RELAY CONTACT
RV	REVERSING VALVE
SRB	STATUS RELAY BOARD
TB	TERMINAL BLOCK
TBL2W	TERMINAL BLOCK LINK 2 WAY
UC8	UNIT CONTROLLER 8
ETH	EARTH

CAP	CAPACITOR
CCB	CONTROL CIRCUIT BREAKER
CM	COMPRESSOR MOTOR
CMC	COMPRESSOR CONTACTOR
CP2W	CONNECTOR PLUG 2 WAY
CP4W	CONNECTOR PLUG 4 WAY
EEV	ELECTRONIC EXPANSION VALVE
E2RB	EXV2 RELAY BOARD
FRB	FAULT RELAY BOARD
ETH	EARTH

Sensors (S) / Transducers (T)		
Name	Type	Colour
DL	Discharge Temp	RED
SL	Suction Temp	WHITE
LPT	Low Pressure	
HPT	High Pressure	
OC	Return Air	BLACK

UC8 JUMPER settings		
Position	Jumper	
J1		
J2		

UC8 DIP switch settings		
DIP switch	On/Off	
1,7,10,13,14	On	
All Others	Off	

©temperzone Ltd 2015

Client Wiring

DO NOT SCALE - ASK

Drawn: D.A.B. Date: 07-01-16

Approved: SR

Title: HWP 172 & 192RKT UC8 Wiring Schematic

Rev: 291-000-973 SHEET 1 OF 1



# SPECIFICATIONS



Model	HWP 192CKT	HWP 192CEKT
Item No. - Standard	509-192-101	509-192-102
Item No. - Opposite Hand	509-192-111	509-192-112
Cooling capacity (net) to AS/NZS 3823 T1	19.9 kW	
Heating capacity - Electric heat	n/a	9.0 kW
Electrical input - cooling	4.8 kW	
Electrical input - heating	n/a	10.3 kW
EER / AEER (cooling)	4.11 / 4.09	
Unit Controller	UC8	
Refrigerant	R410A	
Refrigerant charge	2.7 kg	
Compressor type	scroll	
Water connections	1" male BSP	
Nominal EWT on cooling	30°C	
Nominal EAT on cooling	27°C db, 19°C wb	
Nominal Water Flow @ EWT – LWT = 5k	1.26 l/s	
Entering system pressure drop @ nominal flow	34 kPa (5 psi)	
Min. water temp. Cool cycle at nominal flow/EAT	15°C	
Min. water temp. Cool cycle with water flow control valve	5°C	
Max. EWT Cool cycle at nominal flow/EAT	50°C	
Min. water flow @ nominal EWT/EAT	0.35 l/s	
Max. water pressure – excluding hoses	3200 kPa (464 psi)	
Power supply	3 ph. 400V ac 50Hz	
Compressor run amps at rating cond.	7 A	
Indoor fan motor size	750 W	
Indoor fan motor (1ph.) - full load	6 A	
Control circuit breaker (internal)	10 A	
Running amps (total system)	12 / 7 / 7 A	12 / 7 / 7 A
Running amps – electric heat	n/a	18.6 / 13 / 13 A
Max. running amps (total system)	16 / 10.8 / 10.8 A	19.0 / 13 / 13 A
Net weight	177 kg	177 kg

### Accessories:

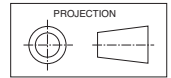
Spring mounts	supplied
Water hoses 800mm long, rated 300psi	1" female BSP, supplied
Replacement filter - rated EU2/G2	119-000-103 1163x405x13
Condensate lift-pump	507-003-010

### Optional:

SAT-3 Room temperature controller	201-000-146
TZT-100 Room temperature controller	201-000-350

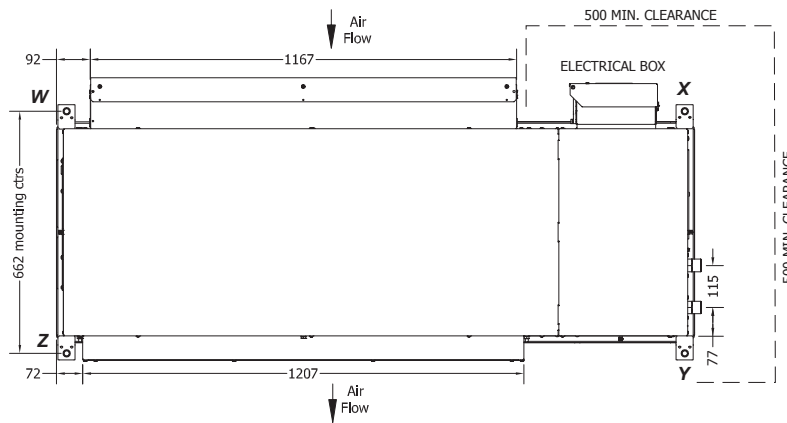
Refer to temperzone for other options, eg remote sensors

# DIMENSIONS (mm)



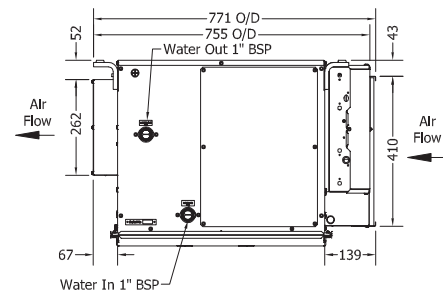
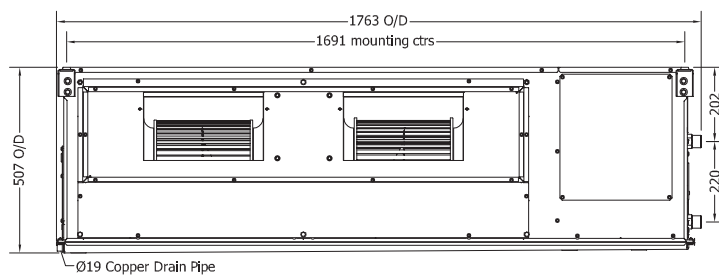
Not to Scale

## HWP 192 CKT/CEKT Standard



POINT LOADS (kg)			
W	X	Y	Z
45	53	59	20

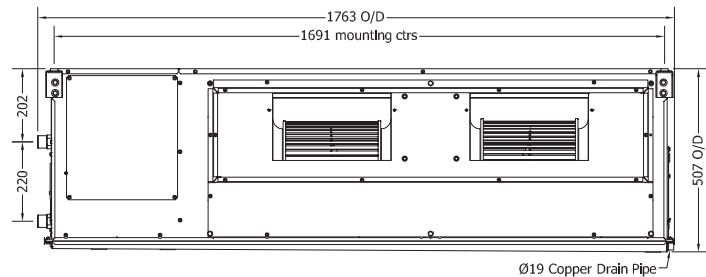
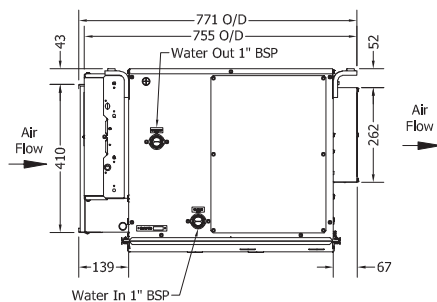
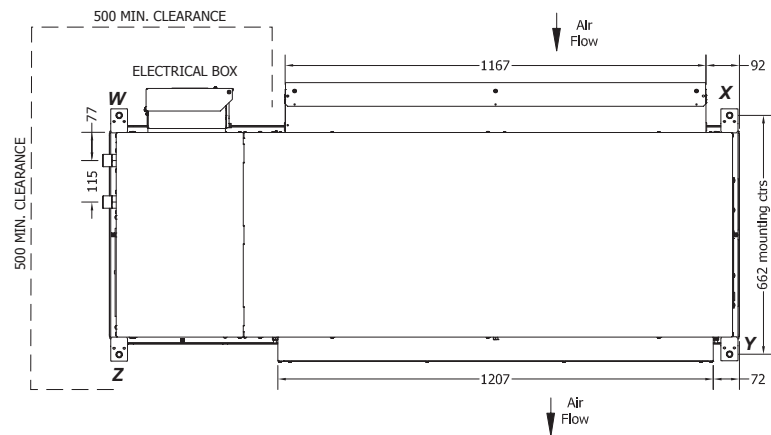
**Note:** Fan motor can be accessed from panel above, below or sides; no more than two panels at once.



## HWP 192 CKT/CEKT Opposite Hand

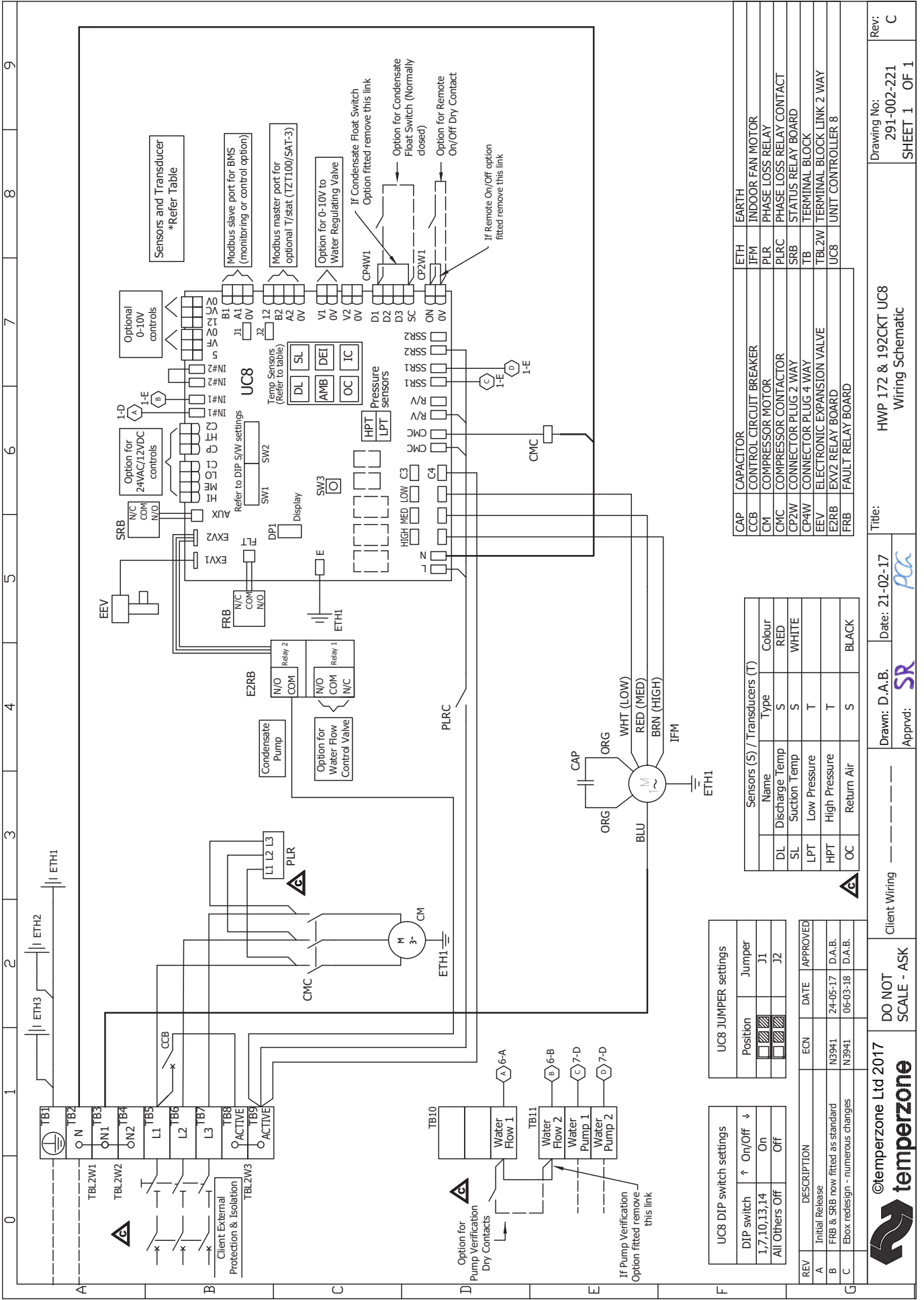
POINT LOADS (kg)			
W	X	Y	Z
59	45	20	53

**Note:** Fan motor can be accessed from panel above, below or sides; no more than two panels at once.



### NOTE

Specifications are subject to change without notice due to the manufacturer's ongoing research and development programme.



ETH	EARTH
IFM	INDOOR FAN MOTOR
PLR	PHASE LOSS RELAY
PLRC	PHASE LOSS RELAY CONTACT
SRB	STATUS RELAY BOARD
TBL	TERMINAL BLOCK
TBL2W	TERMINAL BLOCK LINK 2 WAY
UC8	UNIT CONTROLLER 8
UCB	UNIT CONTROLLER 8
FRB	FAULT RELAY BOARD
E2RB	EXV2 RELAY BOARD
EEV	ELECTRONIC EXPANSION VALVE
CP4W	CONNECTOR PLUG 4 WAY
CMC	COMPRESSOR MOTOR
CCB	CONTROL CIRCUIT BREAKER
CAP	CAPACITOR

Sensors (S) / Transducers (T)		
Name	Type	Colour
DL	Discharge Temp	RED
SL	Suction Temp	WHITE
LPT	Low Pressure	T
HPT	High Pressure	T
OC	Return Air	BLACK

Position	Jumper
J1	APPROVED
J2	APPROVED

DIP switch	On/Off
1,7,10,13,14	On
All Others	Off

REV	DESCRIPTION	ECN	DATE	APPROVED
A	Initial Release			
B	FRB & SRB now fitted as standard	N3941	24-05-17	D.A.B.
C	Ebox redesign - numerous changes	N3941	06-03-18	D.A.B.

©temperzone Ltd 2017

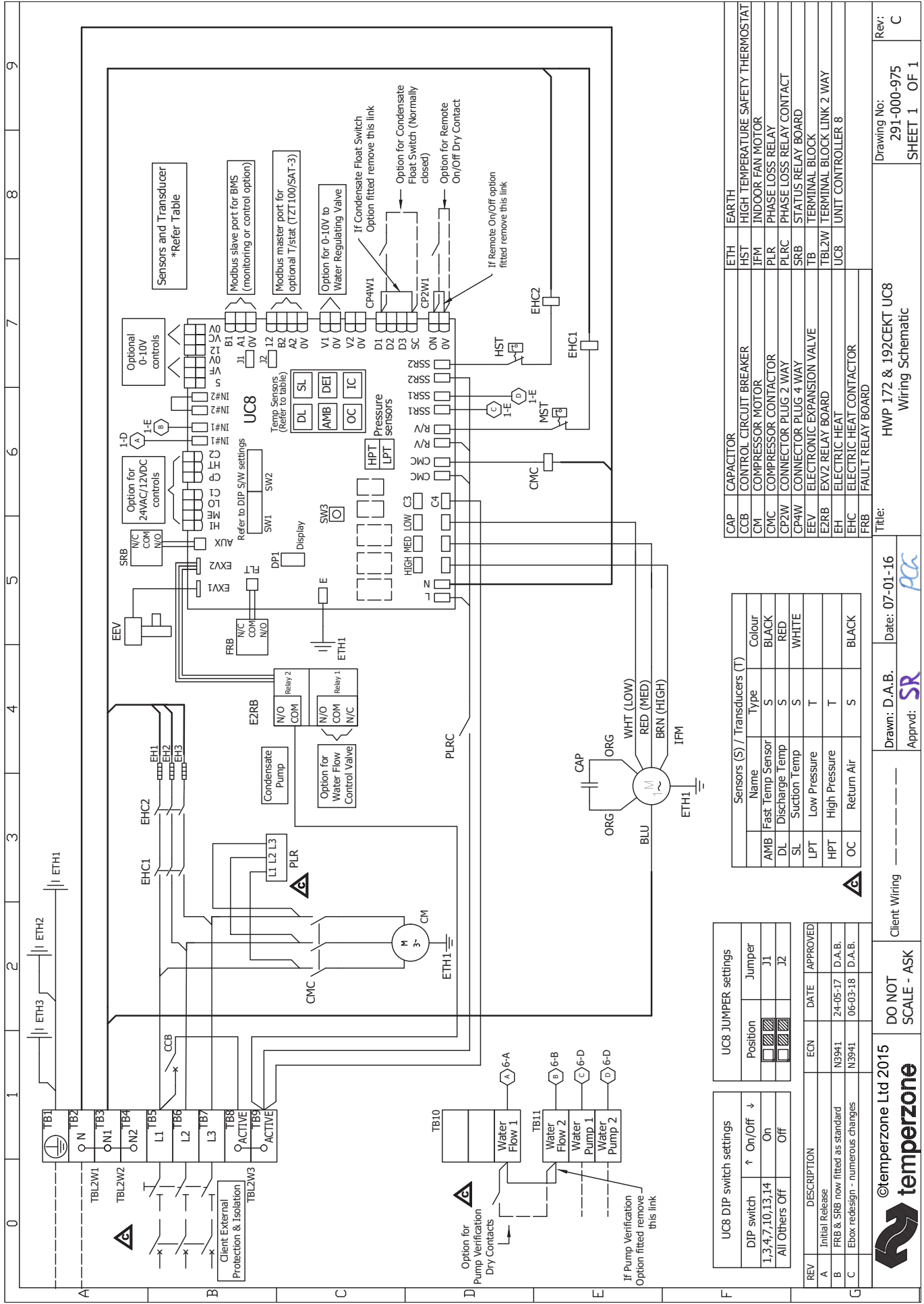
Client Wiring DO NOT SCALE - ASK

Drawn: D.A.B. Date: 21-02-17

Approved: SR

Title: HWP 172 & 192CKT UC8 Wiring Schematic

Rev: 291-002-221 SHEET 1 OF 1 C



UC8 DIP switch settings	UC8 JUMPER settings	Sensors (S) / Transducers (T)	UC8
DIP switch ↑ On/Off ↓	Position	Name	ETH
1,3,4,7,10,13,14	<input checked="" type="checkbox"/> J1	Fast Temp Sensor	HST
All Others Off	<input type="checkbox"/> J2	Discharge Temp	IFM
		Suction Temp	PLR
		Low Pressure	PLRC
		High Pressure	SRB
		Return Air	EBV
			E2RB
			ETH1
			UC8

REV	DESCRIPTION	ECN	DATE	APPROVED
A	Initial Release			
B	FRB & SRB now fitted as standard	N3941	24-05-17	D.A.B.
C	Ebox redesign - numerous changes	N3941	06-03-18	D.A.B.

CAP	CAPACITOR	ETH	EARTH
CCB	CONTROL CIRCUIT BREAKER	HST	HIGH TEMPERATURE SAFETY THERMOSTAT
CM	COMPRESSOR MOTOR	IFM	INDOOR FAN MOTOR
CMC	COMPRESSOR CONTACTOR	PLR	PHASE LOSS RELAY
CP2W	CONNECTOR PLUG 2 WAY	PLRC	PHASE LOSS RELAY CONTACT
CP4W	CONNECTOR PLUG 4 WAY	SRB	STATUS RELAY BOARD
EBV	ELECTRONIC EXPANSION VALVE	TB	TERMINAL BLOCK
E2RB	EXC2 RELAY BOARD	TBL2W	TERMINAL BLOCK LINK 2 WAY
EH	ELECTRIC HEAT	UC8	UNIT CONTROLLER 8
EHC	ELECTRIC HEAT CONTACTOR		
FRB	FAULT RELAY BOARD		

©temperzone Ltd 2015

DO NOT SCALE - ASK

Client Wiring  
 Drawn: D.A.B. Date: 07-01-16  
 Approved:

Title: HWP 172 & 192CEKT UC8 Wiring Schematic  
 Drawing No: 291-000-975  
 SHEET 1 OF 1  
 Rev: C