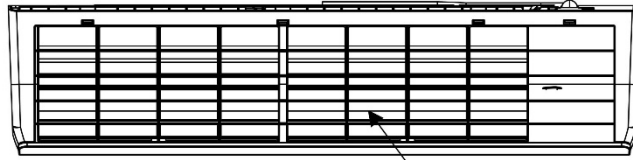
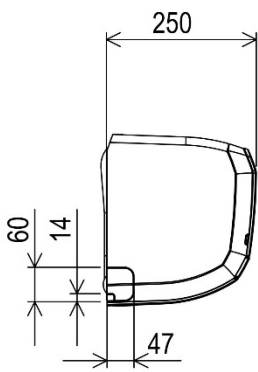


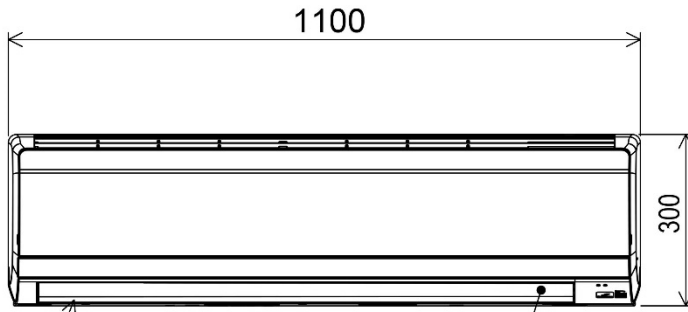
2.2. INDOOR WALL TYPE: RAS-70YHA4, RAS-80YHA4



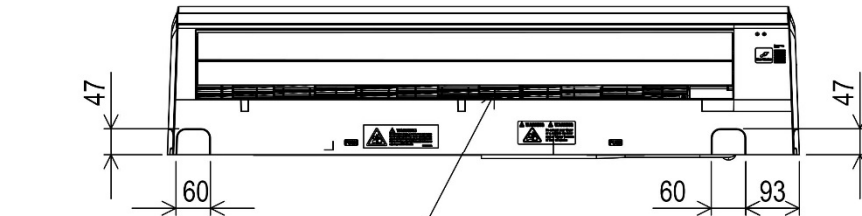
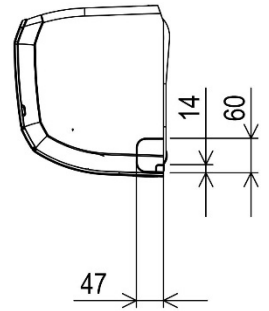
TOP AIR SUCTION GRILL



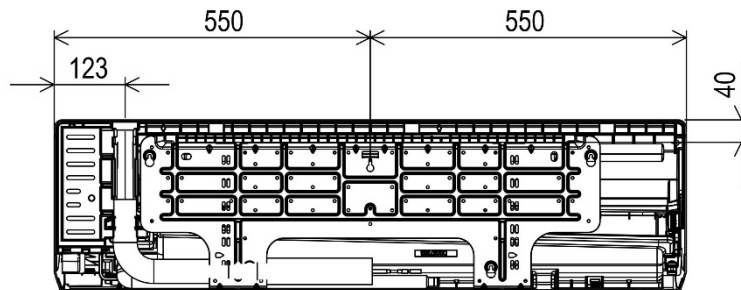
DISCHARGE GRILLE



HORIZONTAL DEFLECTOR



VERTICAL DEFLECTOR



2.5. OUTDOOR: RAC-70YHA4, RAC-80YHA4

Unit: mm

