

SPECIFICATIONS



Model	OPA 855RKTBG-P ECO
Configuration	Horizontal Supply Air
Item No. (Standard / Opposite Hand)	866-086-701 / 866-086-710
Unit c/w Fresh Air Cowl (OPA 855RKTBG-PC)	868-086-701 / 868-086-710
Cooling capacity (net) to AS/NZS 3823 T1	79.4 kW
Heating capacity H1	78.0 kW
Electrical input - cooling	25.6 kW
Electrical input - heating	23.8 kW
EER / AEER (cooling)	3.10 / 3.09
COP / ACOP (heating)	3.28 / 3.27
Unit Controller	UC8 (x2)
Refrigerant	R410A
Refrigerant Charge	15 kg/sys.
Compressor oil type	POE 32-3MAF (or equivalent)
Compressor type	digital scroll (x2)
Power supply	3 ph. 400V ac 50Hz + N + E
Compressor (3ph.) run amps at rating cond.	21 A/ph. (x2)
Compressor overload setting	28 A (x2)
Compressor circuit breaker	63 A (x2)
Indoor fan motor size	EC Plug 500 dia. 2.65kW (x2)
Nominal air flow at rating conditions	4200 l/s
Indoor fan motor (3ph.)	4.5 A/ph. (x2)
Outdoor fan motor (1ph.) - full load	1.7 A (x4)
Outdoor fan capacitor size	8 μ fd (x4)
Control circuit breaker (internal)	4 A
Single phase socket circuit breaker	10 A
Running amps (total system)	45 / 52 / 45 A
Max. running amps (total system)	58 / 64 / 56 A
Net weight	1133 kg
Weight c/w Fresh Air Cowl option	1162 kg

Accessories:

Filters - rated EU4/G4 disposable	019-400-008 500x450x50 (x9)
-----------------------------------	-----------------------------

Optional Controls:

TZT-100 Room temperature controller	201-000-350
-------------------------------------	-------------

Refer to temperzone for other options.

Tested in accordance with AS/NZS 3823

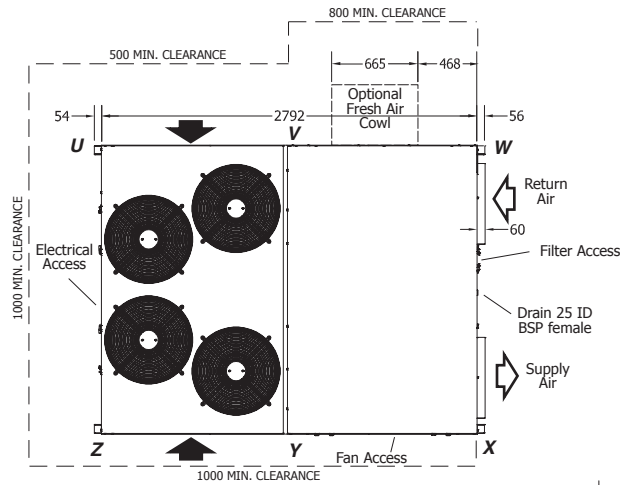
16090

DIMENSIONS (mm)

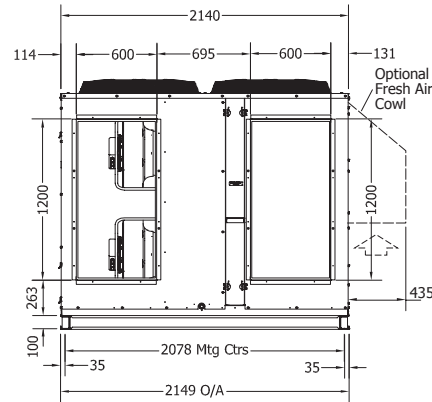
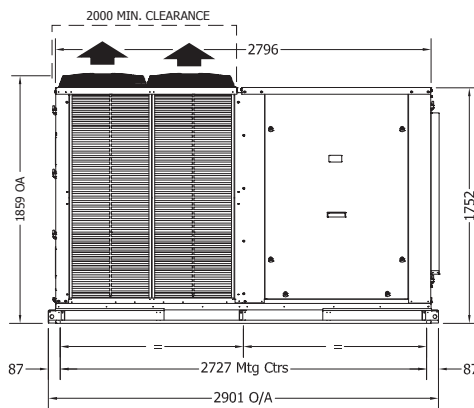


OPA 855RKTBG01-P(C) Standard Hand

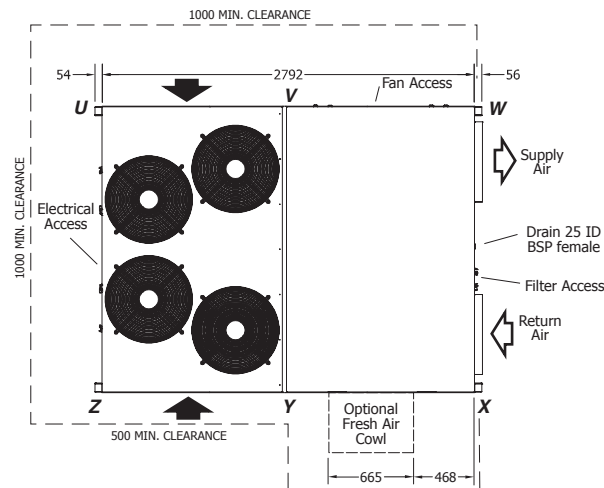
Not to Scale



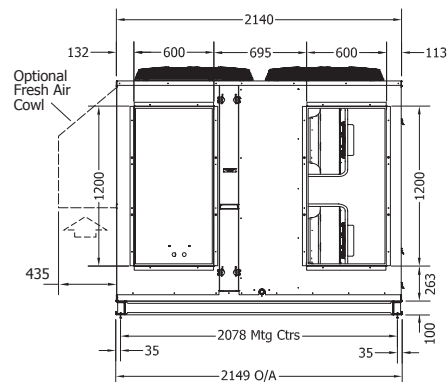
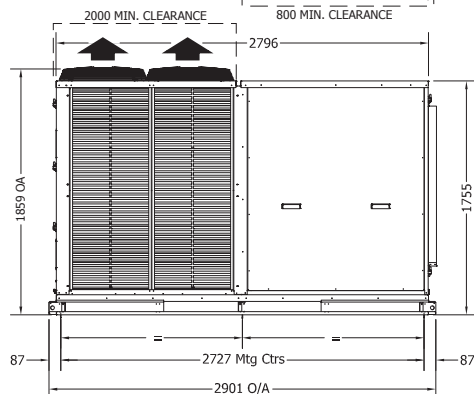
	POINT LOADS (kg)					
	U	V	W	X	Y	Z
no F/A	204	178	151	190	200	210
cw F/A	224	189	162	185	195	207



OPA 855RKTBG10-P(C) Opposite Hand



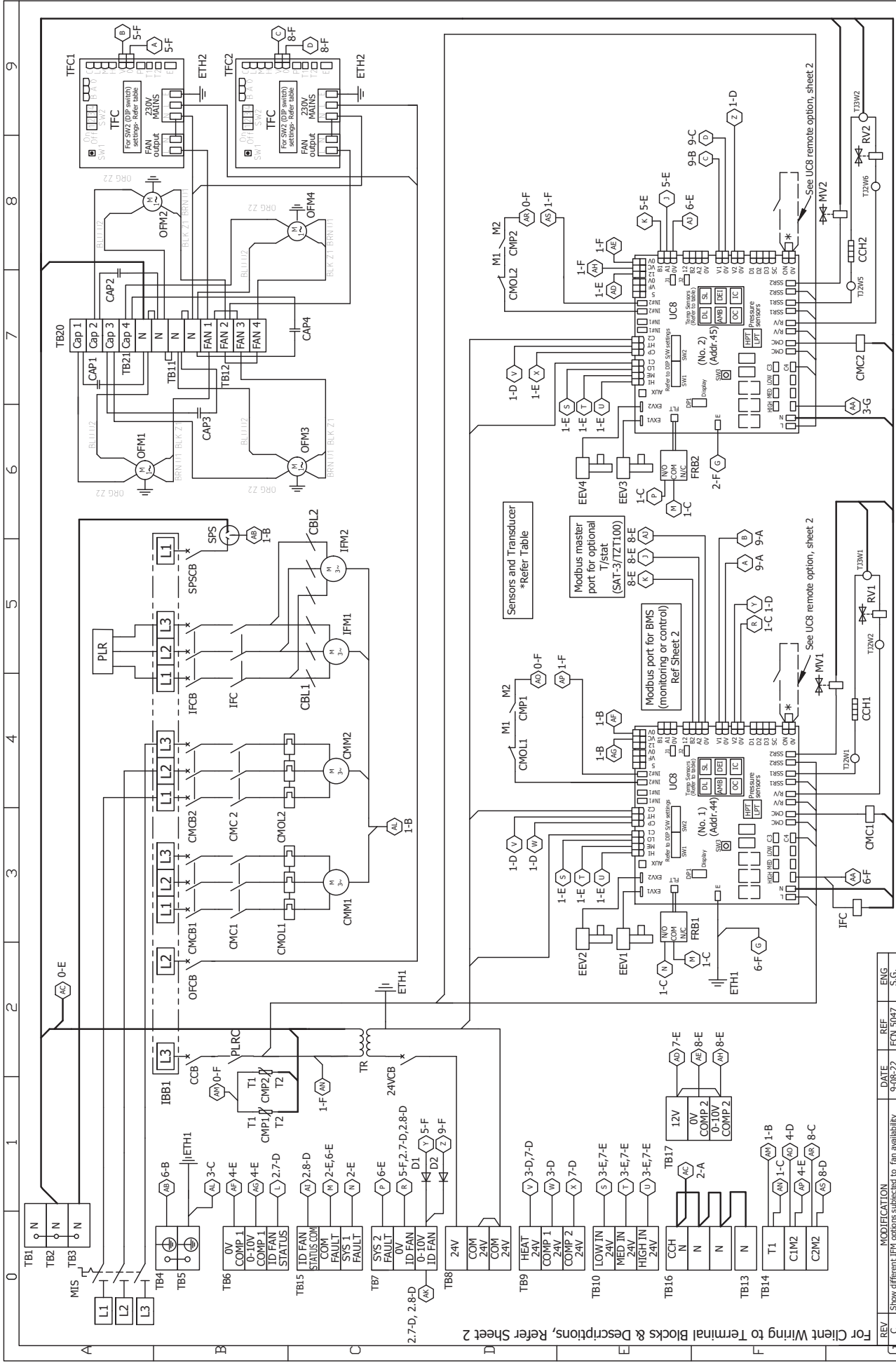
	POINT LOADS (kg)					
	U	V	W	X	Y	Z
no F/A	210	200	190	151	178	204
cw F/A	207	195	185	162	189	224



NOTE

Specifications are subject to change without notice due to the manufacturer's ongoing research and development programme.

WIRING



REV	MODIFICATION	DATE	REF	ENG
C	Show different FM cations subjected to fan availability	9-08-22	ECN 5047	S.G.
B	TZ1T100 label 12/24V was 24.0V/COM was 24	16-08-21	N4358	R.P.B.



Client Wiring
DO NOT SCALE - ASK

Drawn: R.P.B. Date: 04-02-21
Approved: *PJL*

Title: OPA 855RKTGB-P UC8
Wiring Schematic

Drawing No: 291-003-413
SHEET 1 OF 2
Rev: C

For Client Wiring to Terminal Blocks & Descriptions, Refer Sheet 2

