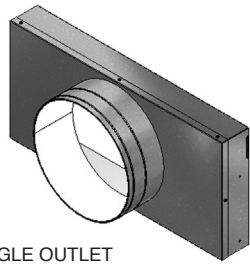


Supply & Return Air Plenums

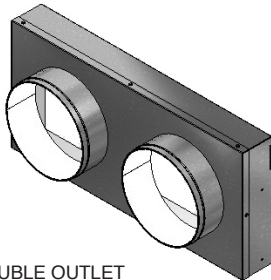
DATA SHEET

for ISD 87–324 KYX, ISD 171–351 LYX

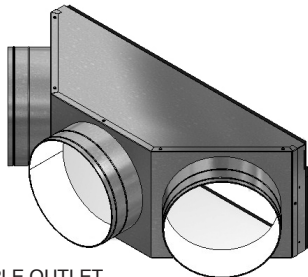
Supply Air Plenums



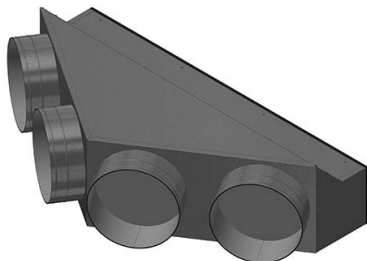
SINGLE OUTLET



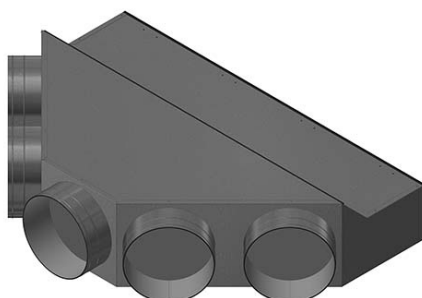
DOUBLE OUTLET



TRIPLE OUTLET



QUADRUPLE OUTLET

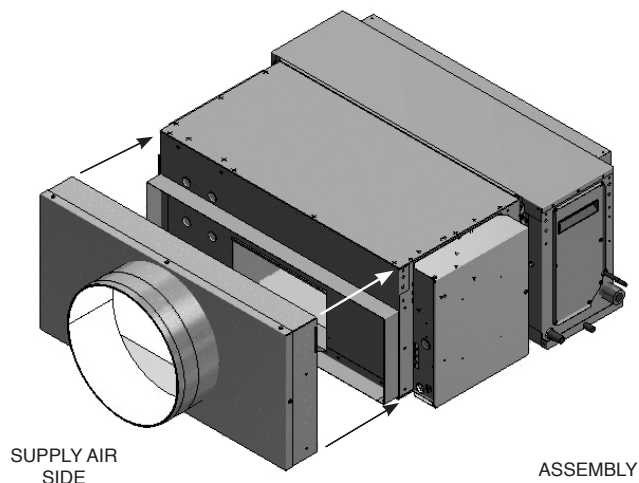


QUINTUPLE OUTLET

Features

- Designed to conveniently adapt popular **temperzone** units to flexible ducting systems.
- Made to fit standard units (ISD 87–324 KYX, ISD 171–351 LYX).
- Available ex-stock.
- Purchase all your needs from one supplier – one purchase order – one delivery.
- Screws supplied for quick fitting to pre-drilled holes in unit.
- Very competitive price.
- Robust galvanised steel construction.
- Insulated with foil faced closed cell foam.
- Outlets sized for minimal duct resistance.
- Outlets fit standard duct sizes.
- Choice of plenums with varying outlets (for some units).

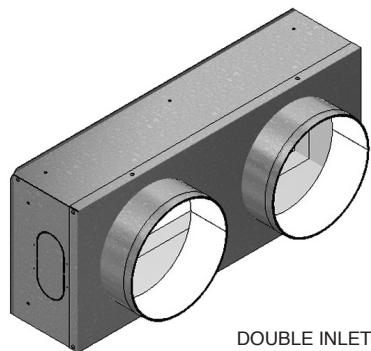
Item No.	Compatible Model/s	No. of Outlets	Outlet Size	Dimensions (L x H x D)
492-000-001	for ISD 87KYX	1	Ø400	870 x 420 x 250
492-000-002	for ISD 87KYX	2	Ø300	870 x 420 x 200
492-000-007	for ISD 116KYX	2	Ø350	1000 x 435 x 250
492-000-004	for ISD 141KYX, 171LYX	2	Ø400	1000 x 435 x 250
492-000-005	for ISD 164–224 KYX, 211/251LYX	3	Ø400	1270 x 435 x 545
492-000-030	for ISD 294KYX, 351LYX	4	Ø400	1702 x 431 x 927
492-000-031	for ISD 324KYX	5	Ø400	1958 x 431 x 1313



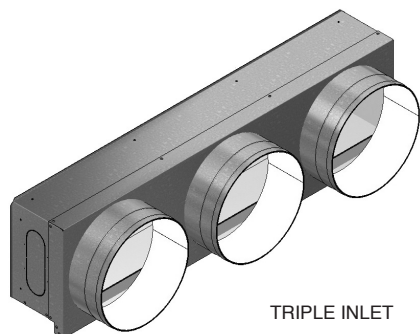
SUPPLY AIR SIDE

ASSEMBLY

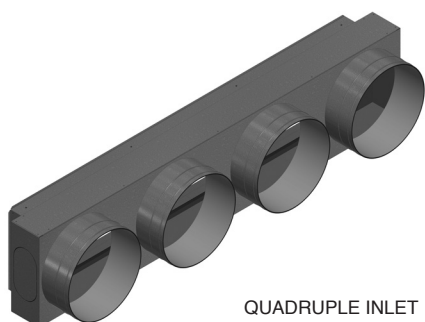
Return Air Plenums



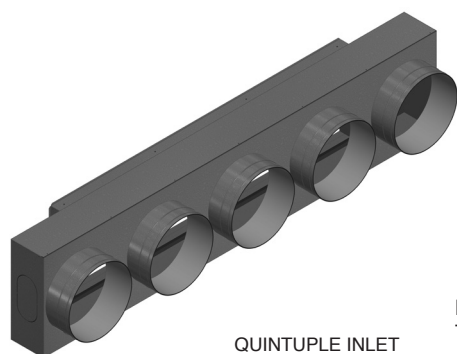
DOUBLE INLET



TRIPLE INLET



QUADRUPLE INLET



QUINTUPLE INLET

Features

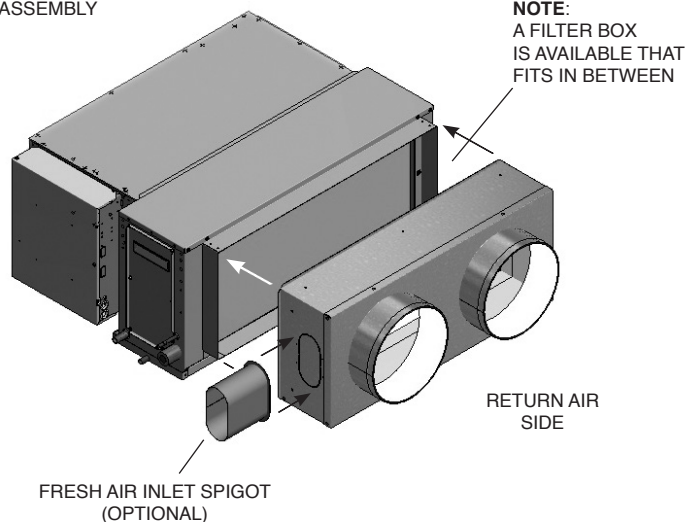
- Designed to conveniently adapt popular **temperzone** units to flexible ducting systems.
- Made to fit standard units (ISD 87–324 KYX, ISD 171–351 LYX).
- Available ex-stock.
- Purchase all your needs from one supplier – one purchase order – one delivery.
- Screws supplied for quick fitting to pre-drilled holes in unit.
- Very competitive price.
- Robust galvanised steel construction.
- Insulated with foil faced closed cell foam.
- Inlets sized for minimal duct resistance.
- Inlets fit standard duct sizes.
- Optional fresh air inlet spigot available to fit pre-punched knockouts on plenum's left or right sides.

Item No.	Compatible Model/s	No. of Inlets	Outlet Size	Dimensions (L x H x D)
492-100-002	for ISD 87KYX	2	Ø300	865 x 370 x 285
492-100-003	for ISD 116KYX	2	Ø350	960 x 370 x 335
492-100-004	for ISD 141KYX, 171LYX	2	Ø400	1110 x 425 x 365
492-100-005	for ISD 164/184 KYX, 211LYX	2	Ø400	1300 x 425 x 365
492-100-006	for ISD 194–224 KYX, 251LYX	3	Ø400	1460 x 425 x 365
492-100-008	for ISD 294KYX, 351LYX	4	Ø400	1925 x 417 x 368
492-100-009	for ISD 324KYX	5	Ø400	2419 x 535 x 418

Fresh Air Inlet Spigot (Optional)

325-000-051	for ISD 87–184 KYX, 171/211 LYX	Ø150
325-000-052	for ISD 194–324 KYX, 251/351 LYX	Ø200

ASSEMBLY



NOTE

The manufacturer reserves the right to make changes in specifications at any time without notice or obligation. Certified dimensions available on request.



temperzone limited

Head Office, Auckland : 38 Tidal Rd, Mangere, N.Z.
Private Bag 93303, Otahuhu, NEW ZEALAND.
Email sales@temperzone.co.nz Website: www.temperzone.biz

temperzone australia pty ltd

Head Office, Sydney : 14 Carnegie Place, Blacktown, NSW 2148
PO Box 8064, Seven Hills West, NSW 2147,
AUSTRALIA. Email sales@temperzone.com.au

AUCKLAND

Ph. 0-9-279 5250
Fax 0-9-275 5637

WELLINGTON

Ph. 0-4-569 3262
Fax 0-4-566 6249

CHRISTCHURCH

Ph. 0-3-379 3216
Fax 0-3-379 5956

SYDNEY

Ph. (02) 8822-5700
Fax (02) 8822-5701

ADELAIDE

Ph. (08) 8115-2111
Fax (08) 8115-2118

SINGAPORE

Ph. SNG 6733 4292
Fax SNG 6235 7180

MELBOURNE

Ph. (03) 8769-7600
Fax (03) 8769-7601

BRISBANE

Ph. (07) 3308-8333
Fax (07) 3308-8330

NEWCASTLE

Ph. (02) 4962-1155
Fax (02) 4961-5101



PERTH
Ph. (08) 9314-3844
Fax (08) 9314-3855

LAUNCESTON
Ph. (03) 6331-4209
Fax (03) 6333-0224

Available from