

OSA 29

Single Phase Split System Outdoor Unit

Installation & Maintenance

GENERAL

OSA 29 - A general designation for outdoor unit

OSA 29C - Outdoor unit, cooling only version

OSA 29R - Outdoor unit, reverse cycle version

This OSA 29 Outdoor Unit must be installed in accordance with all national and local safety codes.

INSTALLATION

Positioning

Refer to dimension diagram below for minimum clearances. Position the unit so that prevailing winds do not blow onto the exhaust to slow the fan, and one unit does not exhaust toward the inlet of another unit.

Mount either free standing or on a wall using the optional mounting brackets available.

Free Standing :

Fasten the unit down to a firm flat horizontal base using the four holes provided in the mounting rails.

When the unit is being installed on a roof it is recommended that the unit is installed on a substantial structure with vibration isolating springs beneath the unit. These springs are not supplied with the unit.

Wall Mounting Option:

Complete wall mounting instructions are supplied with the optional wall mounting kit.

Drain

Install the unit with a positive fall to the rear to ensure condensate and/or rain water drains away freely through the drain holes provided. For a totally drip free installation mount the unit in a separate drain tray.

REFRIGERATION PIPING

General

The OSA 29 is shipped with a refrigerant charge sufficient for a 10 m line length. The matched indoor unit is shipped with a holding charge of nitrogen. OSA 29 units have shut-off service valves and flare nut connections.

Recommended Pipe Sizes

Suction pipe : 13 mm OD
Liquid pipe : 6 mm OD

Line Lengths

The standard unit has a suction accumulator fitted allowing a line length of up to 15 m. Line lengths must not exceed 15 m under any circumstances.

Height Separation Limits

Outdoor Unit above Indoor Unit : 10 m
Outdoor Unit below Indoor Unit : 10 m

Vertical Risers

If the outdoor unit is to be installed above the indoor unit, then the suction riser should be trapped at the bottom of the vertical rise and then again at 5 m (maximum) intervals. This is to ensure oil return to the compressor. The trap to be a 'swan neck' curve in the pipe, with no change in the pipe size.

Piping

1. Use clean sealed refrigeration grade piping.
2. Cut pipe with a pipe cutter ONLY.
3. Use long radius bends (2 x pipe dia.).
4. Insulate the suction (gas) line and seal all insulation joints.
5. Filter dryer may be fitted in the liquid line (bi-flow type on reverse cycle systems).
6. Include a process point in the interconnecting pipework.
7. Ensure open pipe ends are sealed until the final connection is made.

Charging

The unit is supplied with 775 g of refrigerant HCFC-22 (R22) which is sufficient for up to 10 m of pipework between the indoor and outdoor units. Add 15 g of HCFC-22 per metre over 10 m.

Procedure:

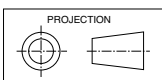
1. Evacuate Indoor Unit and interconnecting pipework to a pressure of 500 microns and hold for 15 mins.
2. Add refrigerant, if needed, via the Schraeder connection on the smaller of the Outdoor Unit's two service valves.
3. Open the service valve at the Outdoor Unit to allow refrigerant to flow throughout the system.
4. Leak check all flared joints.

IMPORTANT :

Step 7 of the 'Start Up Procedure' requires you to check that the superheat on the suction line (where it enters the Outdoor Unit) is between 3°C – 5°C on cooling cycle with an indoor air temperature in the range 21° – 27°C and outdoor air temperature in

Dimensions (mm)

OSA 29

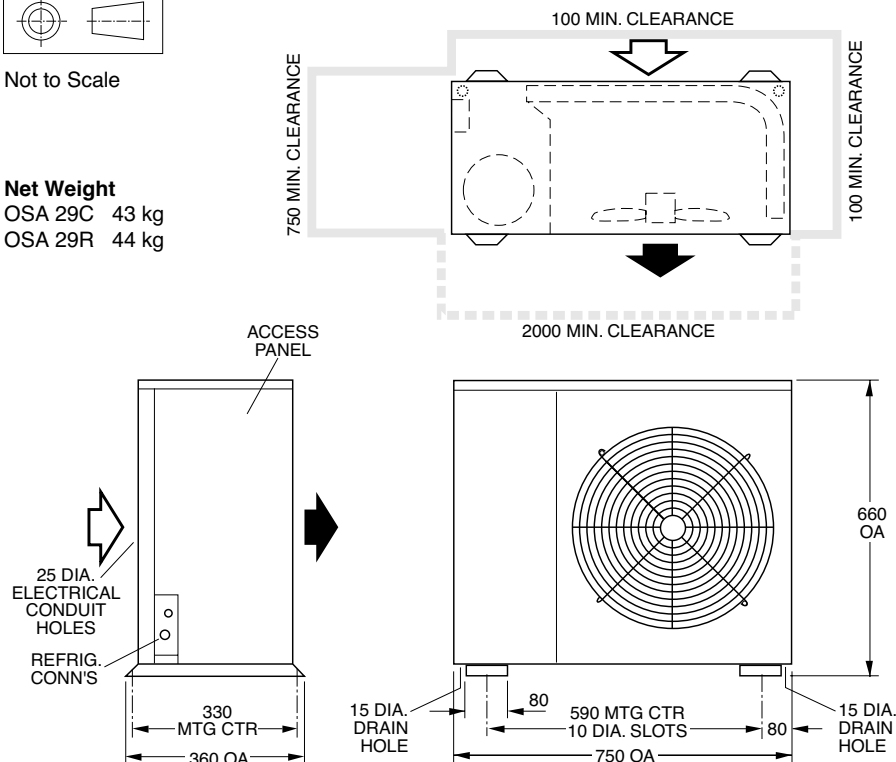


Not to Scale

Net Weight

OSA 29C 43 kg

OSA 29R 44 kg



the range 24° – 35°C. If the conditions of the day do not allow this, use the heating cycle (on a reverse cycle unit) or other heat source to raise the indoor air temperature to about 24°C. Return to cooling cycle and blank off the outdoor coil to raise the head pressure to 240–280 psig (1750–1950 kPag). Alter charge up or down to establish correct superheat.

WARNING:

This unit is designed for use ONLY with the refrigerant HCFC-22. The use of other refrigerants is NOT authorised or approved by the manufacturer and may cause operational problems such as poor performance and efficiency, loss of capacity, degradation of materials and refrigerant leaks. **The use of flammable or explosive materials as a refrigerant creates the additional risks of fire and explosion which may result in property damage, personal injury or death.**

ELECTRICAL REQUIREMENTS

Electrical work must be done by a qualified electrician. The Outdoor Unit must be wired directly from a distribution board by means of a circuit breaker or H.R.C. fuse, and a mains isolator provided - preferably close to the Outdoor Unit.

Note: DO NOT USE REWIRABLE FUSES.

OSA 29R only - It is recommended electricians run two spare wires between Outdoor Unit and Indoor Unit in case one, or both, of the following options becomes a requirement. **Note:** Leave the wires unconnected until required.

Option 1 - Indoor Fan Off During De-Ice (Not required when using **temperzone** TTS-11 Controller).

Option 2 - Electric Boost Heat. Refer indoor unit's wiring diagram.

Standard units are suitable for use with thermostats with either manual Heat/Cool selection or automatic changeover subject to the contact ratings of the thermostats.

Refer to separate pamphlet for approved thermostats, or contact the manufacturer's nearest sales office.

If a compressor crankcase heater is fitted, then a 24 hour power supply to the crankcase heaters is required, otherwise the warranty is void.

SYSTEM CHECK TESTS

1. Check that all fan motors are free running.
2. Check that the thermostat is correctly wired to the unit and is set at the desired temperature.
3. Check that the air filters, if any, have been correctly installed.
4. Check any supply air diffuser dampers are open.

START UP PROCEDURE

Use the supplied Commissioning Sheet to help you complete the following procedure:

1. Switch on the unit.
Note: If crankcase heater fitted, switch on the unit after the four hour delay period has expired.
2. Check the supply voltage.
3. Measure the current draw on the compressor motor and on each fan motor. Check all readings against the specified values - particularly the indoor fan amps if the unit is installed in a free blow application.
4. Fit gauges and measure the suction and discharge pressures.
5. Test the operation of the high pressure safety control by switching off the outdoor unit's fan.
6. Test the operation of the reversing valve by running the unit in both the heating and cooling mode (OSA 29R only).
7. Check that the air flow over the outdoor unit's coil is adequate and that the fan is running smoothly.
8. Check the superheat - refer charging procedure.
9. Check the supply air flow at each outlet.
10. Touch up any outdoor unit paintwork damage to prevent corrosion.

OUTDOOR UNIT CONTROLLER (OUC) (OSA 29R only)

The Outdoor Unit Controller (OUC) includes a temperature sensing head pressure control which enables the system to run efficiently on cooling cycle at outdoor ambient temperatures below 20°C, and heating cycle above 15°C. The OUC also has features which protect against icing or overheating of coils, rapid cycling of the compressor and loss of refrigerant charge.

If the outdoor unit fans take some time to begin rotating when the system is powered on, or they don't appear to be rotating appropriately while the compressor is running, consult the OUC label on the electrical box. If necessary, refer to **temperzone** for further diagnostic information.

MAINTENANCE

Weekly For First Four Weeks

1. Check indoor unit air filters (if fitted) and vacuum or wash clean as necessary.
2. Check condensate drains for free drainage.
3. Check compressor compartment for oil stains indicating refrigerant leaks.
4. Check tightness of electrical connections.

Six Monthly

1. Check the tightness of all fan and motor mountings.
2. Check the tightness of electrical connections
3. Check that fan motors are free running.
4. Replace indoor unit air filters (if fitted).
5. Check condensate drains for free drainage.

Yearly

1. Check all refrigerant piping for chafing and vibration.
2. Check the operation of electric heaters if fitted.
3. Check air supply at all diffusers.
4. Check for excessive noise and vibration and correct as necessary.
5. Check for insulation and duct damage and repair as necessary.
6. Remove lint and dust accumulation from outdoor coil fins.
7. Touch up any outdoor unit paintwork damage to prevent corrosion.

NOTE

The manufacturer reserves the right to change specifications at any time without notice or obligation. Certified dimensions available on request.

This pamphlet replaces the previous issue no. 2502 dated 06/05. OSA 29R wiring revision B.

Pipe Length Capacity Loss On Cooling Cycle Due to Pressure Drop

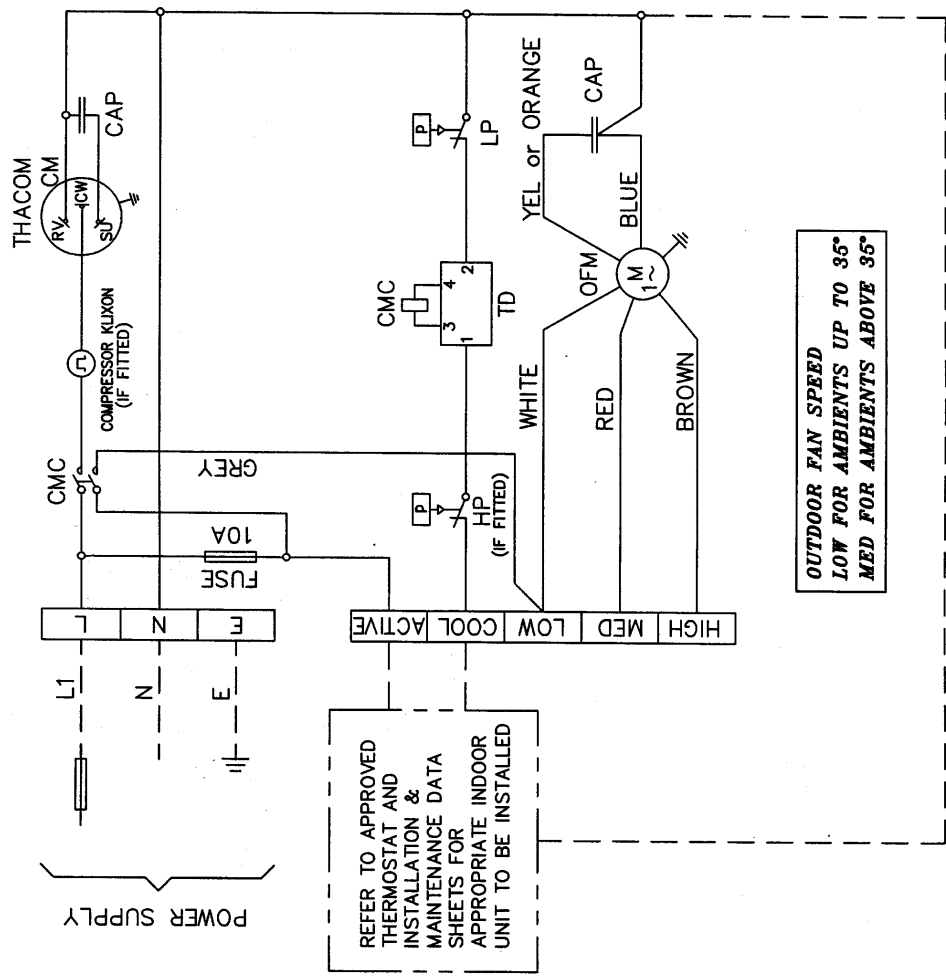
Note : Loss percentages are approximations only, due to piping variations. No allowance made for vertical piping.

Pipe Size (mm)		Equivalent Line Pipe Length (m)			Additional Pipe Length to allow per Bend	
Liquid	Suction	5	10	15	Suction Pipe Size OD	13 mm
6	13	3 %	4 %	6 %	Long 90° Radius (i.e. 2 x pipe dia.)	0.25 m

OUTDOOR UNIT :- OSA 29 C	ISDL 29
WITH INDOOR UNIT	
CAPACITIES - NET to AS/NZS 3823	
COOLING -	kW 2.8
ELECTRICAL INPUT	
COOLING -	kW 1.0
E.E.R. (COOLING)	kW/kW 2.896
ELECTRICAL	
SUPPLY REQUIRED 1PH 200-252V ~ 50Hz INCLUDING VOLTAGE FLUCTUATION LIMITS	
COMPRESSOR (1PH) RUN AMPS RATED CONDITIONS	A 3.5
COMPRESSOR (1PH) STARTING AMPS	A 5
COMPRESSOR CAPACITOR	MFD 30
INDOOR FAN MOTOR (1PH) FULL LOAD AMPS	A 0.6
INDOOR FAN MOTOR CAPACITOR	MFD 3.5
OUTDOOR FAN MOTOR (1PH) FULL LOAD AMPS	A 0.6
OUTDOOR FAN MOTOR CAPACITOR	MFD 5
RUNNING AMPS (TOTAL)	4.4
RECOMMENDED EXTERNAL FUSE SIZE	A 16
WEIGHT - NETT OSA 29 C 40 kg	
REFRIGERANT - HCFC (R22) NOM	
UNIT PRECHARGED (10 METRE LINE LENGTH) 0.775 kg	
BASE CHARGE UNIT 0.625 kg PLUS 15 grams PER METRE. LINE LENGTH BASED ON ø6 mm OD LIQUID LINE & ø13 mm OD GAS LINE	

CAP	CAPACITOR
CM	COMPRESSOR MOTOR
CMC	COMPRESSOR CONTACTOR
HP	HI PRESSURE SWITCH
LP	LOW PRESSURE SWITCH
OFM	OUTDOOR FAN MOTOR
TD	TIME DELAY 6 MINS

NOTE:
 CHECK WIRING BEFORE SWITCHING ON,
 INCORRECT CONNECTION WILL DAMAGE
 MOTORS
 CLIENT WIRING -----
 Interconnections between units by
 client. Double insulated multi-core
 cable.



Title		OSA 29 C WIRING SCHEMATIC	
Programmed by			
Plotted		16-05-03	
Drawing No.		327-004-002	
Date		22-05-00	
Revision		B	
Scale		As per OS	
Drawn P.W-M			



ISSUE	MODIFICATION	ECN	DATE	APRVD	DRG SIZE	No.	DESCRIPTION
B	CHANGED TO NEW NET AS/NZS 3823 STANDARD CAPACITOR WIRE OF MOTOR WAS YELLOW	930	02-16-03	D.A.B			
A	OFM AUX. TERM. & 2 WIRES REMOVED	1875	07-16-02	P.W-M			

OUTDOOR UNIT :- OSA 29 R
 WITH INDOOR UNIT
 CAPACITIES - NET to AS/NZS 3823
 COOLING - kW 2.8
 HEATING - REVERSE CYCLE kW 2.6
 ELECTRICAL INPUT
 COOLING - kW 1.0
 HEATING - REVERSE CYCLE kW 0.85
 E.E.R. (COOLING) kW/kW 2.896

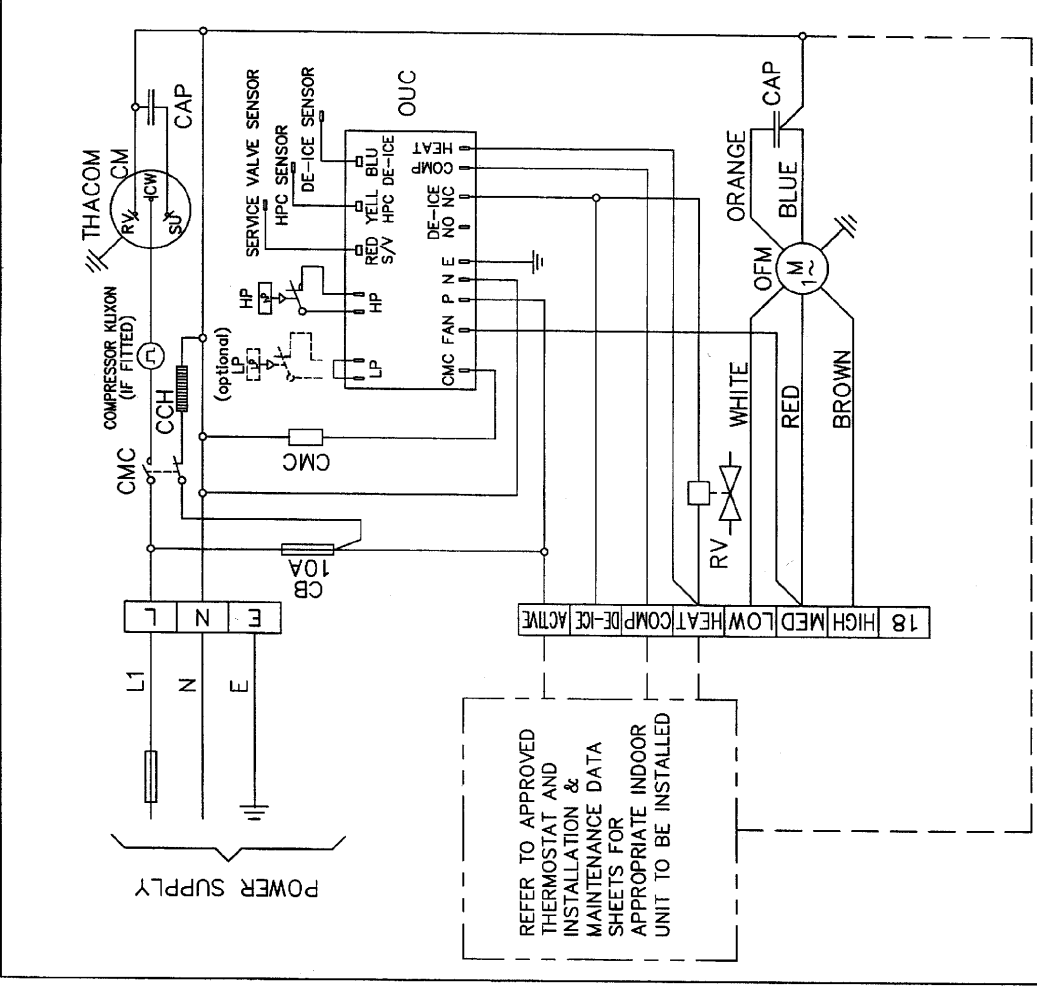
SUPPLY REQUIRED 1PH 200-252V ~ 50Hz INCLUDING VOLTAGE FLUCTUATION LIMITS	
COMPRESSOR (1PH) RUN AMPS RATED CONDITIONS	A 3.5
COMPRESSOR (1PH) STARTING AMPS	A 5
COMPRESSOR CAPACITOR	MFD 30
INDOOR FAN MOTOR (1PH) FULL LOAD AMPS	A 0.6
INDOOR FAN MOTOR CAPACITOR	MFD 3.5
OUTDOOR FAN MOTOR (1PH) FULL LOAD AMPS	A 0.6
OUTDOOR FAN MOTOR CAPACITOR	MFD 5
RUNNING AMPS (TOTAL)	4.4
RECOMMENDED EXTERNAL FUSE SIZE	A 16
ELECTRIC HEAT OPTION, ISDL 29Q: 1 kW ELEMENT	A 4.4
RECOMMENDED EXTERNAL FUSE SIZE WITH OPTIONAL ELECTRIC HEAT	A 20

WEIGHT - NETT OSA 29 R 42 kg
 REFRIGERANT - HCFC (R22) NOM
 UNIT PRECHARGED (10 METRE LINE LENGTH) 0.775 kg
 BASE CHARGE UNIT 0.625 kg PLUS 15 grams PER METRE. LINE LENGTH
 BASED ON ø6 mm OD LIQUID LINE & ø13 mm OD GAS LINE

Consult Outdoor Unit Controller label for further details,
 or refer to Temperzone for fault diagnosis information.
 Sensor Locations
 Red to service valve pipe pocket,
 Yellow to coil return bend pocket,
 Blue to bottom of coil in fins.

CHECK WIRING BEFORE SWITCHING ON,
 INCORRECT CONNECTION WILL DAMAGE
 MOTORS

CAP	CAPACITOR
CB	CIRCUIT BREAKER
CM	COMPRESSOR MOTOR
CMC	COMPRESSOR CONTACTOR
HP	HI PRESSURE SWITCH
LP	LOW PRESSURE SWITCH
OFM	OUTDOOR FAN MOTOR
OUC	OUTDOOR UNIT CONTROLLER
RV	REVERSING VALVE
CCH	CRANK CASE HEATER



Title OSA 29R (O.U.C)
 WIRING SCHEMATIC

temperzone

Drawn D.A.B Date 29-07-04 Drawing No. 426-024-002 Revision B
 Scale 1:1000

Programmed by
 PLOTTED 15-05-06
 ©temperzone ltd 2005

DRG SIZE	No.	DESCRIPTION	Mat.l	FINISH	ASSY No.

ISSUE	MODIFICATION	ECN	DATE	APRVD
B	CCH ADDED	11382/11-05-06	B.P.	
A	OUC TERM. CMC & HEAT CORRECTED	1177/11-05-05	P.W-M	

CLIENT WIRING
 Interconnections between units by client. Double insulated multi-core cable.