

Supply & Return Air Plenums

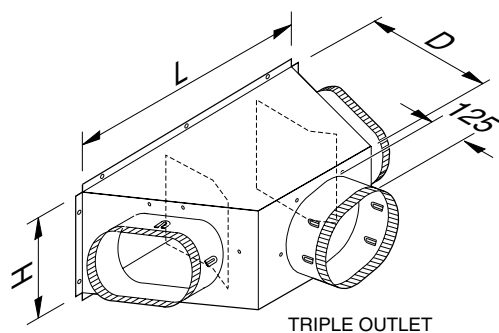
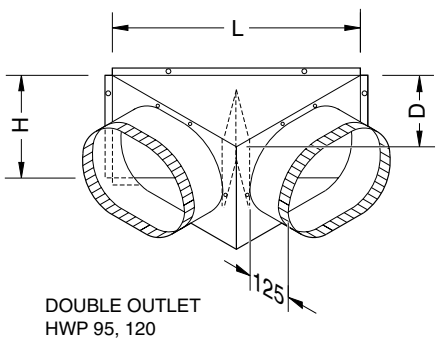
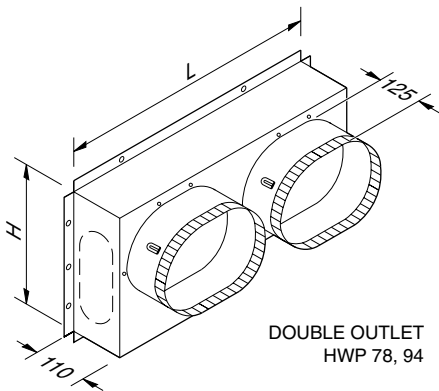
DATA SHEET

for HWP 78–235

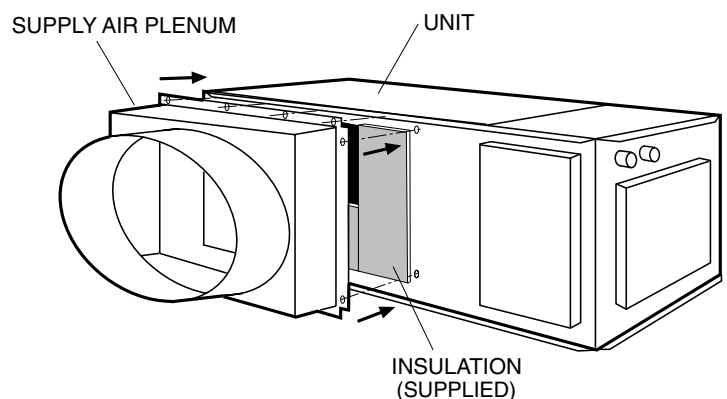
Supply Air Plenums

Features

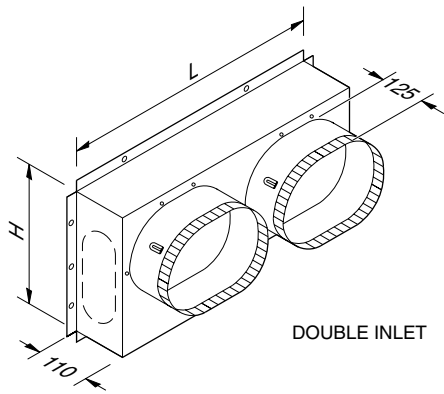
- Designed to conveniently adapt popular **temperzone** units to flexible ducting systems.
- Made to fit standard units.
- Available ex-stock.
- Purchase all your needs from one supplier – one purchase order – one delivery.
- Screws supplied for quick fitting to pre-drilled holes in unit.
- Very competitive price
- Robust galvanised steel construction
- Insulated with foil faced closed cell foam.
- Outlets sized for minimal duct resistance.
- Built-in air diverters (splitters) supplied for multi-outlet supply air plenums to improve airflow and reduce noise.
- Outlets fit standard duct sizes.
- Choice of plenums with varying outlets (for some units).
- Laboratory tested to optimise performance.



Item No.	Compatible Model/s	No. of Outlets	Inlet Size	Dimensions (L x H x D)
325 000 059	for HWP 78, 94	2	Ø300	766 x 284 x 110
325 000 039	for HWP 95, 120	2	Ø350	591 x 284 x 110
325 000 041	for HWP 140, 175	3	Ø350	860 x 274 x 542
325 000 043	for HWP 210, 235	3	Ø400	854 x 320 x 615



Return Air Plenums



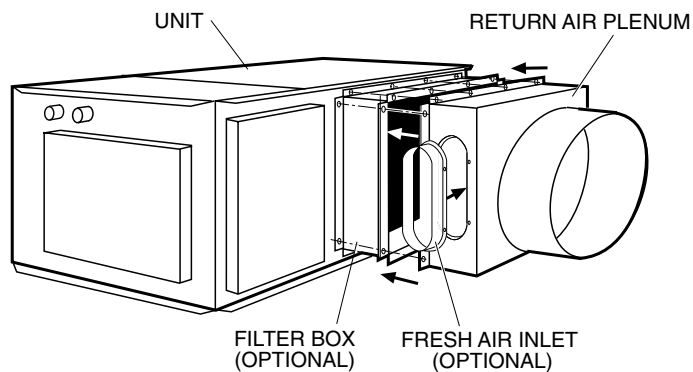
Features

- Designed to conveniently adapt popular **temperzone** units to flexible ducting systems.
- Made to fit standard units.
- Available ex-stock.
- Purchase all your needs from one supplier – one purchase order – one delivery.
- Screws supplied for quick fitting to pre-drilled holes in unit.
- Very competitive price.
- Robust galvanised steel construction.
- Insulated with foil faced closed cell foam.
- Inlets sized for minimal duct resistance.
- Inlets fit standard duct sizes.
- Laboratory tested to optimise performance.
- Optional fresh air inlet spigot available to fit pre-punched knockouts on plenum's left or right sides.

Item No.	Compatible Model/s	No. of Inlets	Inlet Size	Dimensions (L x H)
325 000 059	for HWP 78, 94, 95, 120	2	Ø300	766 x 284
325 000 063	for HWP 140, 175	2	Ø400	1060 x 284
325 000 065	for HWP 210, 235	2	Ø450	1182 x 352

Fresh Air Inlet Spigot (Optional)

325 000 051	for HWP 78, 94, 95, 120, 140, 175	Ø150
325 000 052	for HWP 210, 235	Ø200



NOTE

The manufacturer reserves the right to make changes in specifications at any time without notice or obligation. Certified dimensions available on request.



temperzone limited

Head Office, Auckland : 38 Tidal Rd, Mangere, N.Z.
Private Bag 93303, Otahuhu, NEW ZEALAND.
Email sales@temperzone.co.nz Website: www.temperzone.biz

temperzone australia pty ltd

Head Office, Sydney : 7A Bessemer St
PO Box 6448, Delivery Centre, Blacktown, NSW 2148,
AUSTRALIA. Email sales@temperzone.com.au

AUCKLAND

Ph. 0-9-279 5250
Fax 0-9-275 5637

WELLINGTON

Ph. 0-4-569 3262
Fax 0-4-566 6249

CHRISTCHURCH

Ph. 0-3-379 3216
Fax 0-3-379 5956

SYDNEY

Ph. (02) 8822-5700
Fax (02) 8822-5711

ADELAIDE

Ph. (08) 8333-1833
Fax (08) 8333-1844

SINGAPORE

Ph. SNG 6733 4292
Fax SNG 6235 7180

MELBOURNE

Ph. (03) 9551-7422
Fax (03) 9551-8550

BRISBANE

Ph. (07) 3399-2544
Fax (07) 3399-2577

NEWCASTLE

Ph. (02) 4962-1155
Fax (02) 4961-5101



PERTH

Ph. (08) 9314-3844
Fax (08) 9314-3855

TOWNSVILLE

Ph. (07) 4773-9566
Fax (07) 4773-9166

HOBART

Ph. (03) 6272-0066
Fax (03) 6272-0506

Available from