

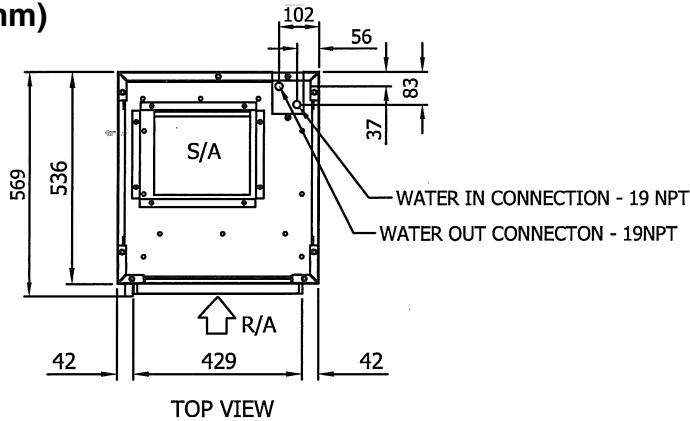
CWP 77

DATA SHEET

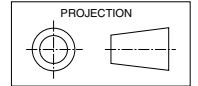
Ducted Water Cooled R410A Packaged Air Conditioners

Dimensions (mm)

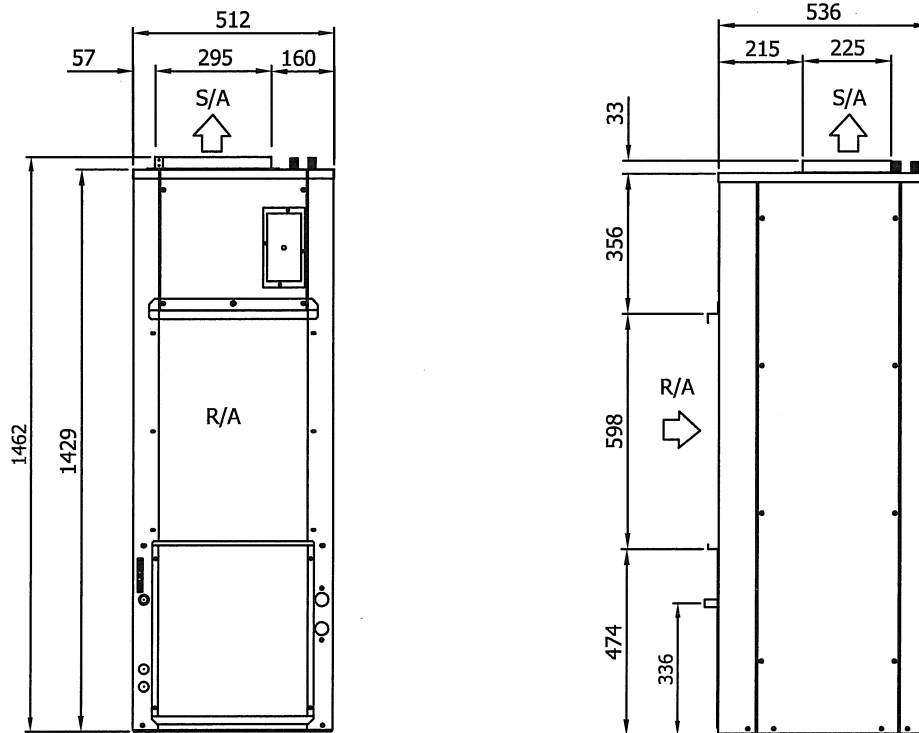
Not to Scale



CWP 77



Approx. Net Weight 106 kg



COOLING CAPACITY (kW)

AIR FLOW RATE l/s	COIL E.A.T.		LEAVING WATER TEMPERATURE (L.W.T.) °C																							
	W.B. °C	D.B. °C	25				30				35				40				45				50			
			T	S	FL	HR	T	S	FL	HR	T	S	FL	HR	T	S	FL	HR	T	S	FL	HR				
420	17	23	7.9	5.5	0.5	9.6	7.6	5.4	0.5	9.3	7.3	5.2	0.5	9.0	7.0	5.1	0.5	8.7	6.7	5.0	0.5	8.4	6.3	4.8	0.5	8.0
	19	27	8.4	6.3	0.5	10.1	8.1	6.2	0.5	9.8	7.7	6.1	0.5	9.5	7.5	5.9	0.5	9.1	7.1	5.8	0.5	8.8	6.8	5.6	0.5	8.5
	21	31	8.9	7.5	0.5	10.5	8.5	7.4	0.5	10.2	8.2	7.2	0.5	9.9	7.9	7.1	0.5	9.6	7.6	6.9	0.5	9.3	7.3	6.7	0.5	9.0

T = Total Capacity (kW)
FL = Water Flow (l/s)

S = Sensible Capacity (kW)
E.A.T. = Entering Air Temperature (°C)

HR = Heat Rejection (kW)
○ = Nominal Capacity (kW)

NOTE: Capacities are **gross** and do not include allowance for fan motor heat loss. For fan motor heat loss refer to Air Handling Performance. Water flow and cooling capacity based on 5 °C water temp. difference.

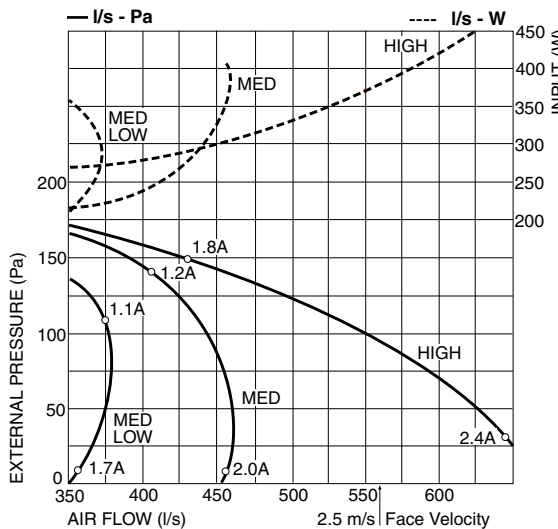
HEATING CAPACITY (kW) CWP*_R Reverse Cycle version

CWP 77

MODEL	WATER FLOW RATE l/s	COIL E.A.T. D.B. °C	LEAVING WATER TEMPERATURE (L.W.T.) °C											
			12.5				15.5				18.5			
			HC	HAb	EWT	INPT	HC	HAb	EWT	INPT	HC	HAb	EWT	INPT
CWP 77R	0.45	18	7.5	5.5	16.2	1.7	8.0	5.9	19.4	1.8	8.5	6.4	22.7	1.8
		21	7.4	5.3	16.1	1.8	7.9	5.8	19.4	1.9	8.5	6.3	22.7	2.0
		25	7.4	5.1	16.1	2.0	7.9	5.6	19.4	2.0	8.5	6.1	22.7	2.1

HC = Heating Capacity (kW)
HAb = Heat Absorbed (kW)
EWT = Entering Water Temperature (°C) (Minimum required 17°C)
INPT = Compressor Input (kW)
E.A.T. = Entering Air Temperature (°C)
○ = Nominal Capacity (kW)

AIR HANDLING PERFORMANCE Without Filter



EU2 rated Filter	Coil Face Velocity	
	1.5 m/s	2.0 m/s
Pressure Loss		
18 Pa	30 Pa	

QUICK REFERENCE

Electrical Input (Cooling)	2.14 kW
E.E.R. (Cooling)	3.50
Running Amps (Total)	9.78
Fan Motor Amps	1.28
Electrical Supply Required	1 ph. 220-240V ±10% a.c. 50 Hz
Recom'd External Fuse Size	25 A
Refrigerant	HFC-410A (R410A)
Water Flow	0.467 l/s
Water Coil Pressure Drop	62.1 kPa (9 psi)
Filter (EU2 rated)	fitted
Electric Heat Option	3 kW

Note

- In tropical (high humidity) conditions care must be taken to select an air flow which gives a suitable coil face air velocity, to prevent water carry over.
- For applications with low resistance be sure not to exceed the fan motor full load amps.
- Applications using full or high proportions of fresh air should be referred to **temperzone** engineering office to establish the correct selection of units.

SOUND LEVELS

Note: SPL measured to JIS 8616 (1m from source in an anechoic chamber)

SUPPLY AIR OUTLET

MODEL	FAN SPEED	AIR FLOW l/s	SOUND PRESSURE LEVELS (SPL) dB(A)	SOUND POWER LEVELS (SWL) dB						
				SWL dB(A)	OCTAVE BAND FREQ. Hz					
					125	250	500	1 k	2 k	4 k
CWP 77	LOW	290	48	56	57	55	56	49	46	42
	MED/LOW	375	53	61	62	59	60	55	53	49
	MED	465	56	65	64	62	64	60	57	54
	HIGH	620	60	69	67	73	66	63	60	57

Sound Pressure Levels (SPL) Within A Room

Deduct the room absorption effect below from the Sound Power Levels (SWL) above to obtain Sound Pressure Levels within a room. Note: Occupant at least 1.5 m from sound source.

ROOM TYPE	OCTAVE BAND FREQ. Hz					
	125	250	500	1k	2k	4k
	ROOM ABSORPTION EFFECT					
SOFT	4	8	11	11	11	11
MEDIUM	3	7	8	9	9	9
HARD	0	1	3	4	4	5

NOTE

The manufacturer reserves the right to change specifications at any time without notice or obligation. Certified data available on request.