

HAN-L6 Controller

DATA SHEET

Approved Thermostat Wiring for Air Conditioners

General

- For cooling only systems, disregard wiring between 'RV' and 'HEAT' terminals.
- Room Wall Control dip switch settings do not need alteration from the standard settings, shown here:

1	2	3	4
OFF	ON	OFF	OFF

- PCB dip switch settings do not need alteration from the standard settings, shown here, unless you have a cooling only system:

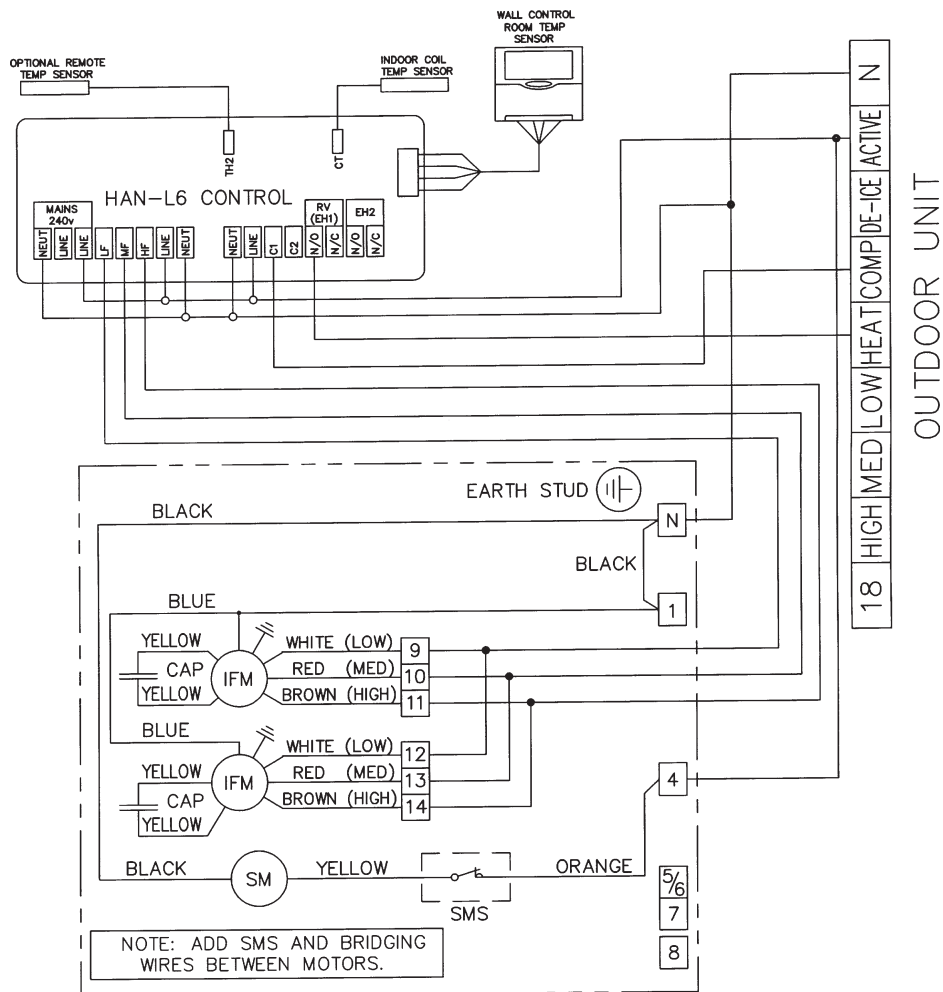
1	2	3	4
OFF	OFF	OFF	ON

For cooling only systems, set dip switch 2 to ON position.

ABBREVIATIONS

COMP	Compressor
LF	Low Fan Speed
MF	Medium Fan Speed
HF	High Fan Speed
IFR	Indoor Fan Relay
IFM	Indoor Fan Motor
HSR/C	High Speed Relay / Coil
MSR/C	Medium Speed Relay / Coil
LSR/C	Low Speed Relay / Coil
SM	Swing Motor
SMS	Swing Motor Switch

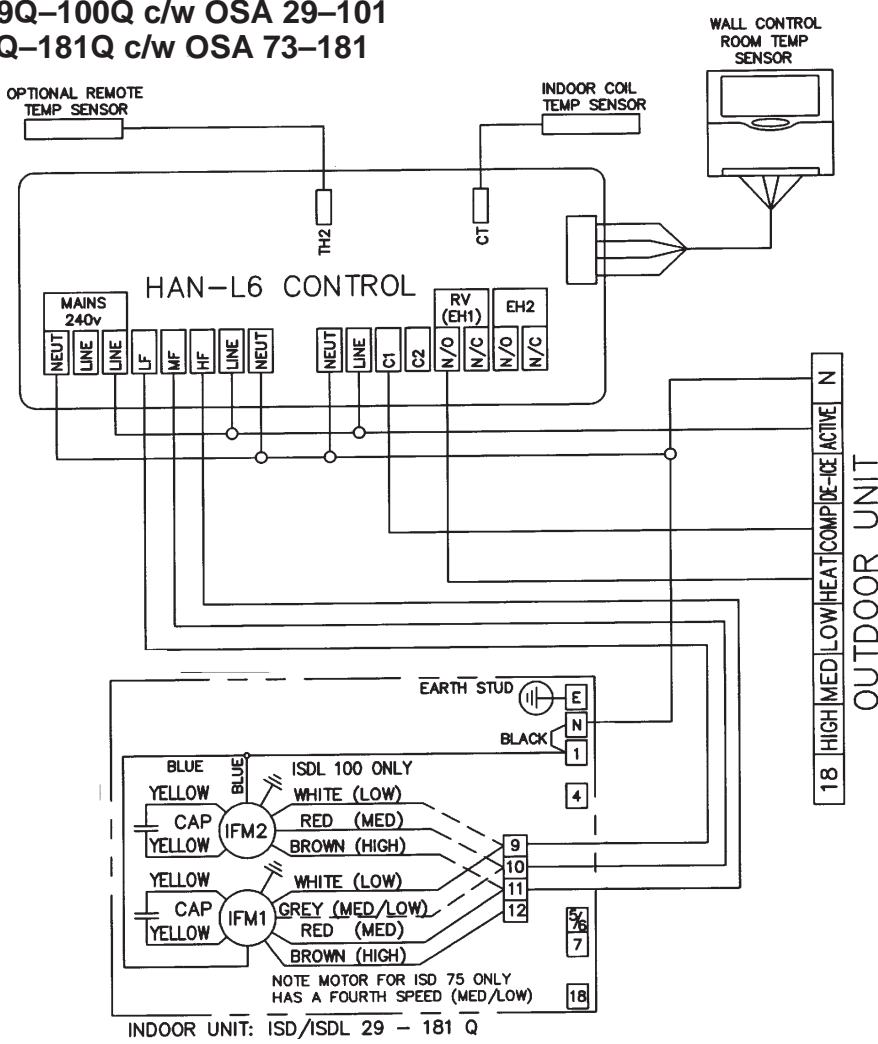
Fig.1 GME 152-702 c/w OSA 45-181



INDOOR UNIT: GME 222, 402, 502 & 702

GME 152 & 302 ARE SIMILAR BUT WITH ONLY ONE FAN MOTOR. NO BRIDGING WIRES ARE REQUIRED.

**Fig.2 ISDL 29Q-100Q c/w OSA 29-101
ISD 75Q-181Q c/w OSA 73-181**



HAN-L6 Controller

NOTE

The manufacturer reserves the right to change specifications at any time without notice or obligation.

**Fig.3 ISD 220Q c/w OSA 220
ISD 265Q c/w OSA 264**

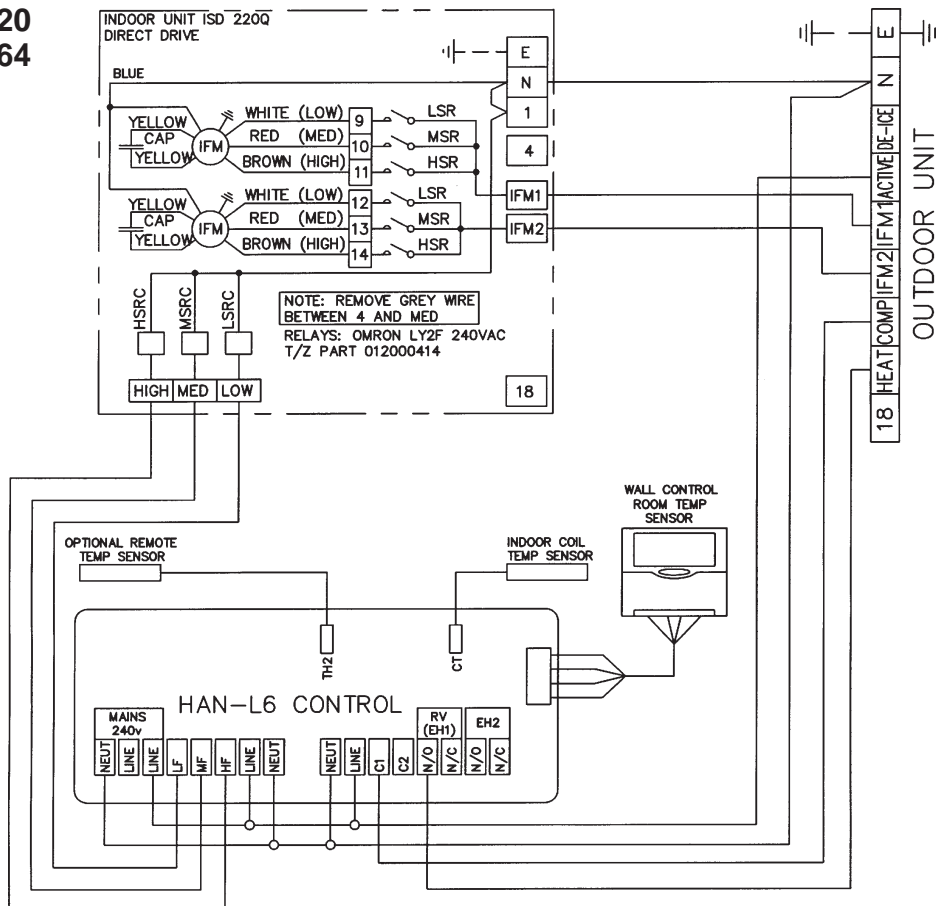
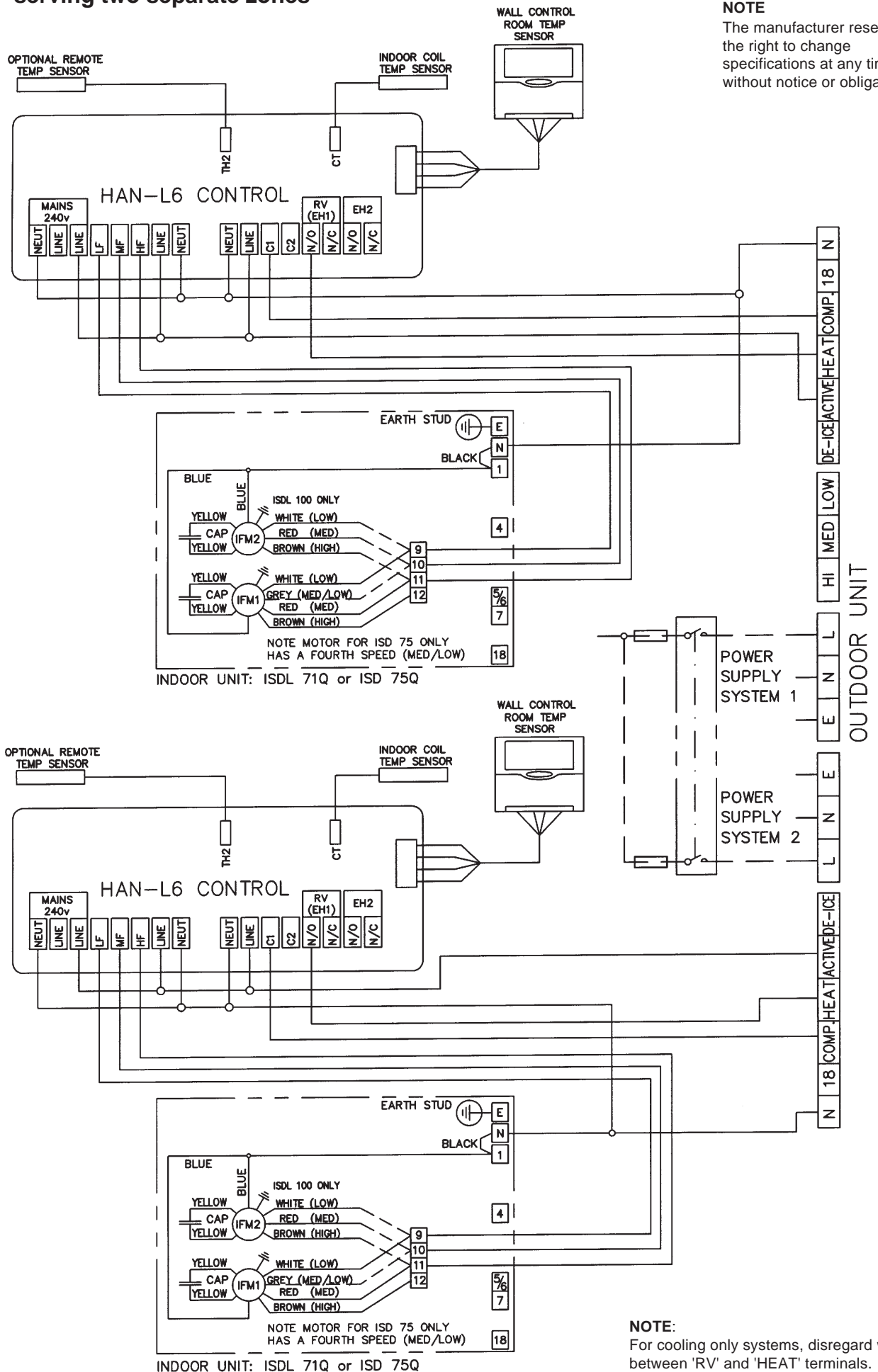
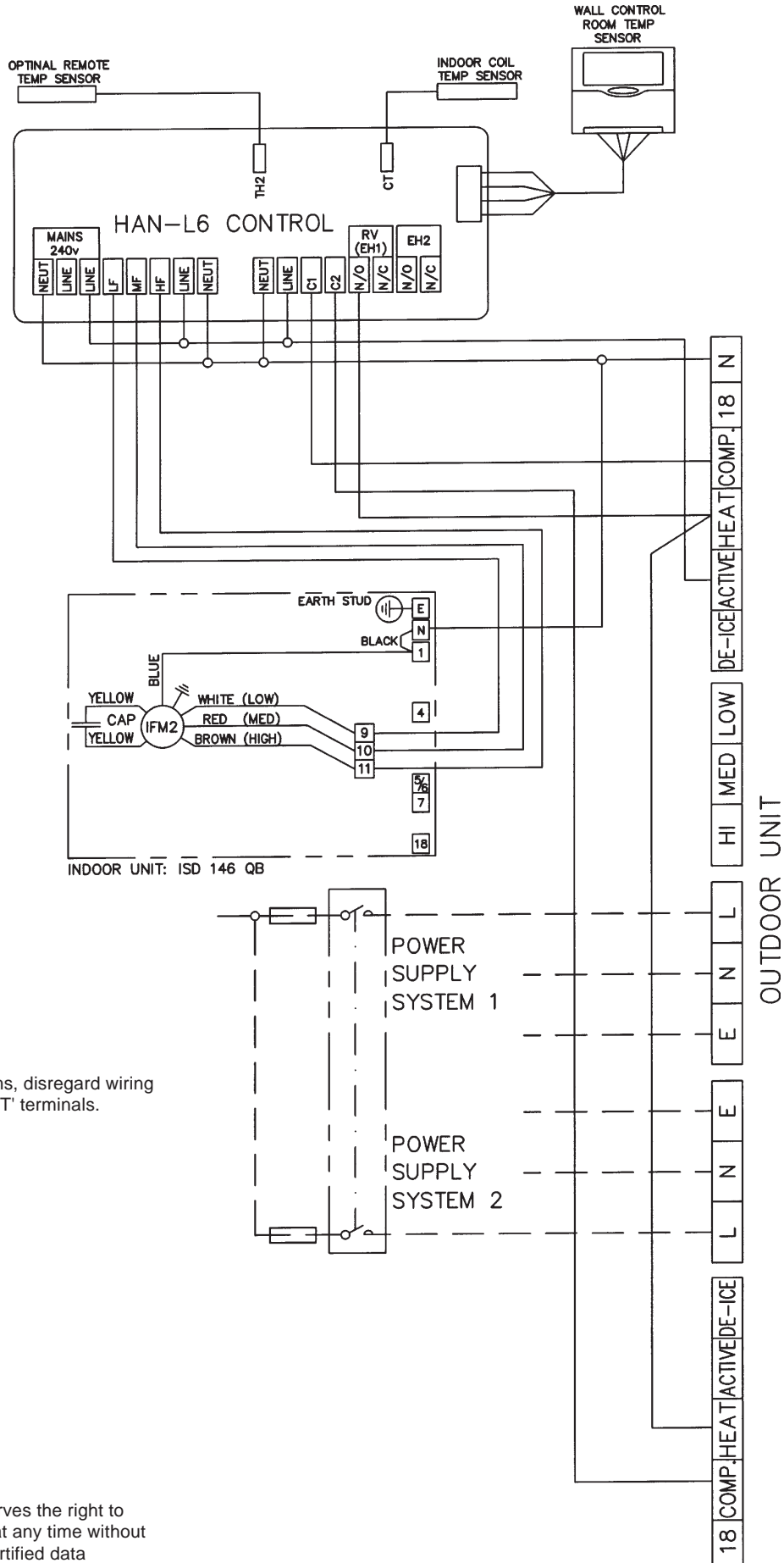


Fig.4 ISDL 71Q or ISD 75Q coupled in pairs to OSA 146B (twin systems) serving two separate zones

NOTE
The manufacturer reserves the right to change specifications at any time without notice or obligation.



**Fig.5 ISD 146Q c/w OSA 146 B (twin system)
serving a single zone**



NOTE:
For cooling only systems, disregard wiring between 'RV' and 'HEAT' terminals.

NOTE
The manufacturer reserves the right to change specifications at any time without notice or obligation. Certified data available on request.