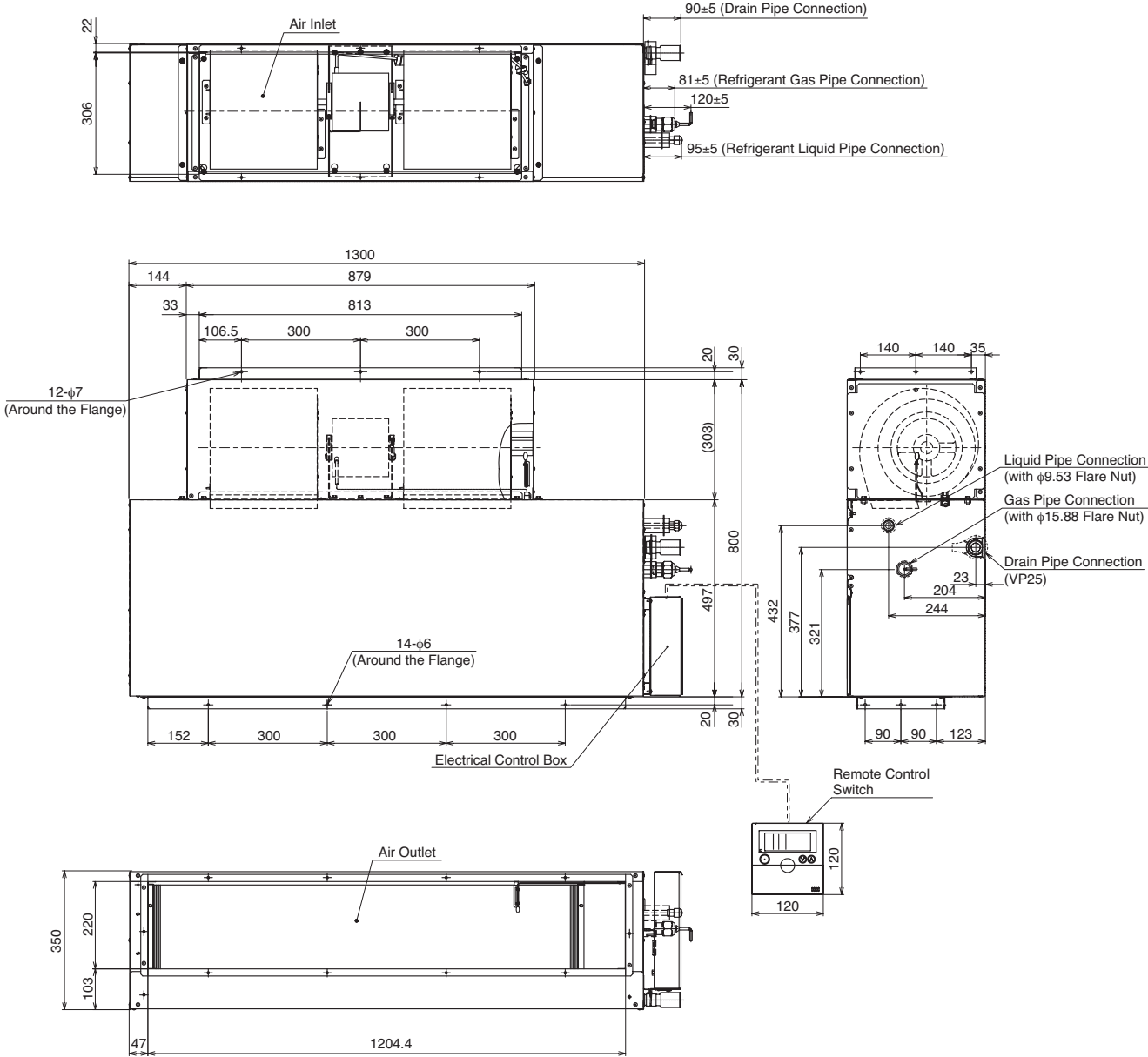


DIMENSIONAL DATA

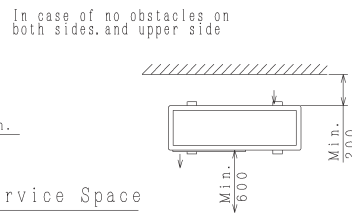
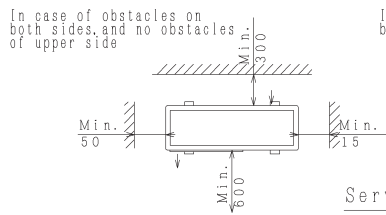
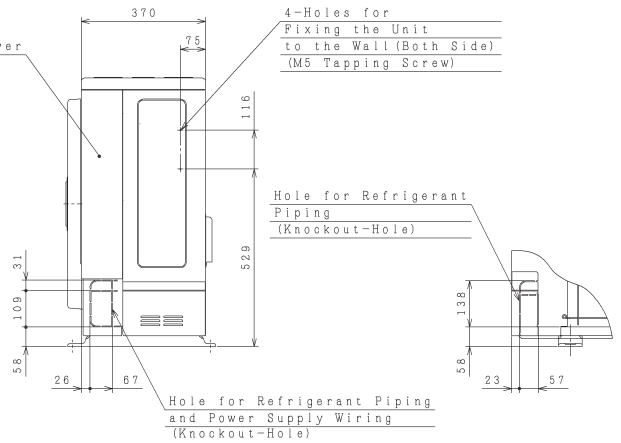
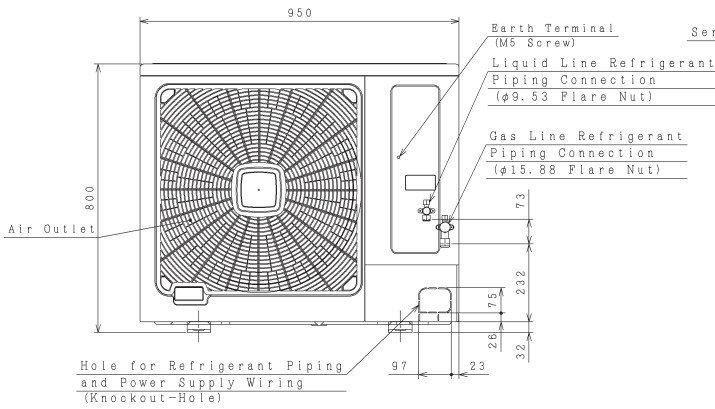
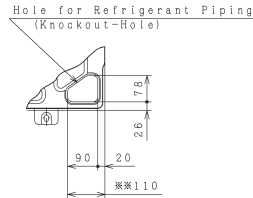
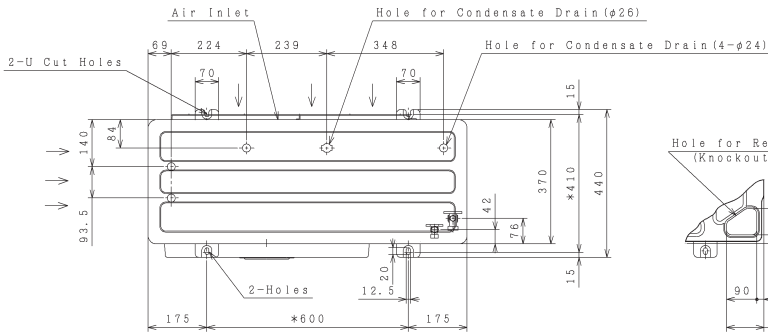
Model: RPI-5.0FSN1SQ



DIMENSIONAL DATA

Models: RAS-4HVRNS and RAS-5HVRNS

Unit: mm



Service Space

Drain Water

Drain water is caused during a defrosting operation.

- ① Choose a place where well drainage is available. Provide a groove for drain.
- ② Do not provide an upward slope from the unit to avoid reverse flow of the drain. Provide a second drainpan under the outdoor unit, to collect drain water securely.