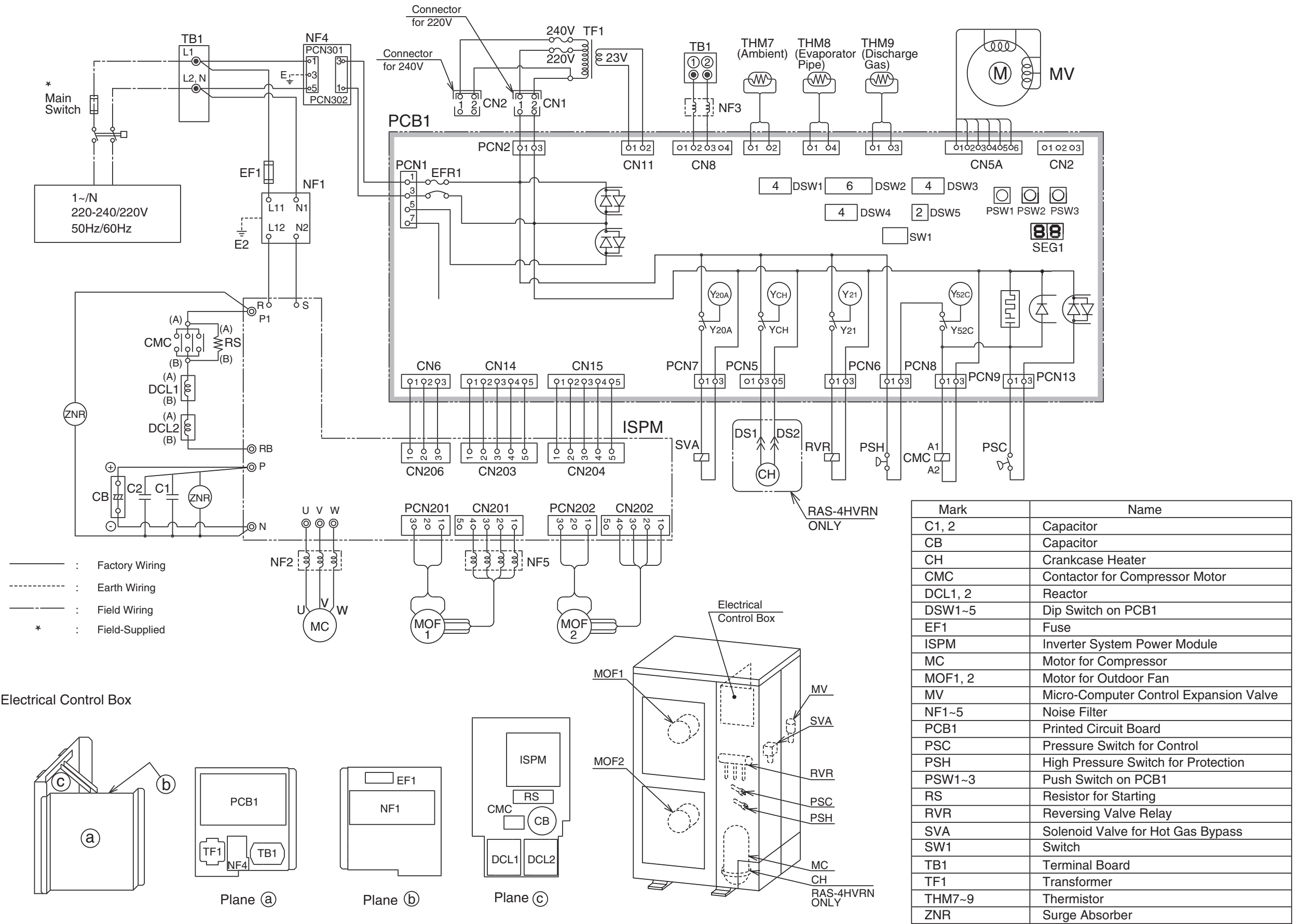
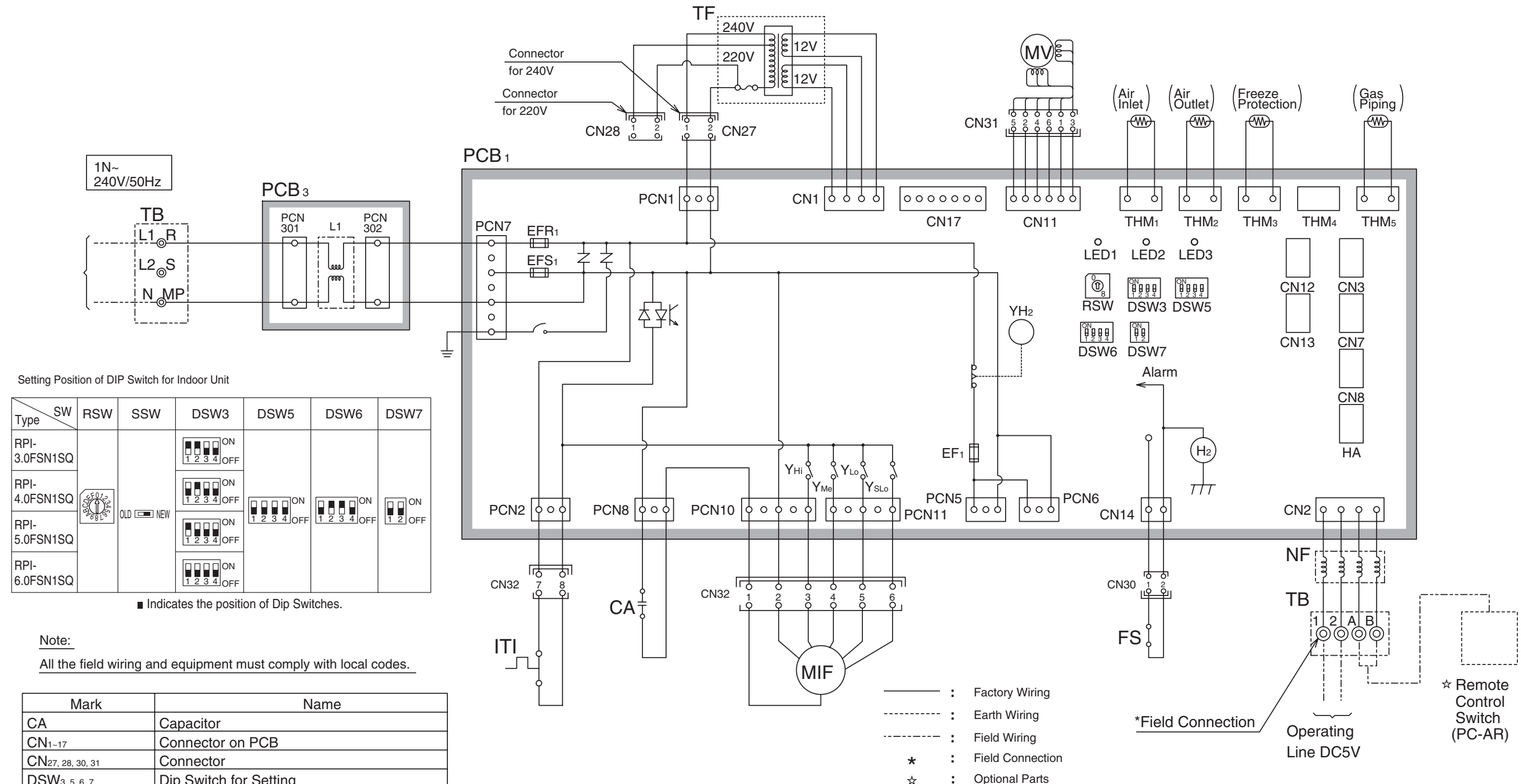


ELECTRICAL WIRING DIAGRAM (FOR MODEL: RAS-4HVRN, RAS-5HVRN AND RAS-6HVRN)



Mark	Name
C1, 2	Capacitor
CB	Capacitor
CH	Crankcase Heater
CMC	Contactor for Compressor Motor
DCL1, 2	Reactor
DSW1-5	Dip Switch on PCB1
EF1	Fuse
ISPM	Inverter System Power Module
MC	Motor for Compressor
MOF1, 2	Motor for Outdoor Fan
MV	Micro-Computer Control Expansion Valve
NF1-5	Noise Filter
PCB1	Printed Circuit Board
PSC	Pressure Switch for Control
PSH	High Pressure Switch for Protection
PSW1-3	Push Switch on PCB1
RS	Resistor for Starting
RVR	Reversing Valve Relay
SVA	Solenoid Valve for Hot Gas Bypass
SW1	Switch
TB1	Terminal Board
TF1	Transformer
THM7-9	Thermistor
ZNR	Surge Absorber

ELECTRICAL WIRING DIAGRAM (FOR MODELS: RPI-3.0FSN1SQ, RPI-4.0FSN1SQ, RPI-5.0FSN1SQ AND RPI-6.0FSN1SQ)



Setting Position of DIP Switch for Indoor Unit

Type	SW	RSW	SSW	DSW3	DSW5	DSW6	DSW7
RPI-3.0FSN1SQ				ON OFF			
RPI-4.0FSN1SQ				ON OFF	ON OFF	ON OFF	ON OFF
RPI-5.0FSN1SQ				ON OFF			
RPI-6.0FSN1SQ				ON OFF			

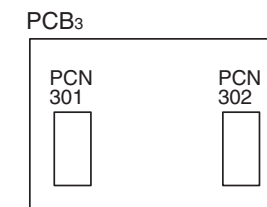
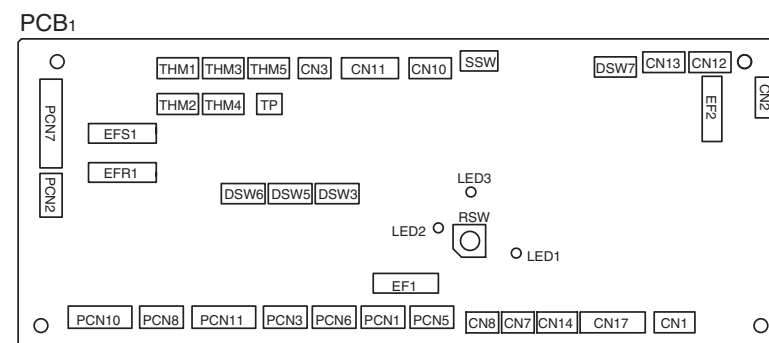
■ Indicates the position of Dip Switches.

Note:

All the field wiring and equipment must comply with local codes.

Mark	Name
CA	Capacitor
CN1-17	Connector on PCB
CN27, 28, 30, 31	Connector
DSW3, 5, 6, 7	Dip Switch for Setting
EFR1, EFS1, EF1	Fuse
FS	Float Switch
ITI	Internal Thermostat for Indoor Fan Motor
MIF	Motor for Indoor Fan
MV	Micro-Computer Control Expansion Valve
NF	Noise Filter
PCB1, 3	Printed Circuit Board
PCN1-11, 301, 302	Connector on PCB
TB1, 2	Terminal Board
TF	Transformer
THM1, 2, 3, 5	Thermistor
YH2	Relay on PCB
⊙	Terminals

Printed Circuit Board



Electrical Control Box of Indoor Unit

