



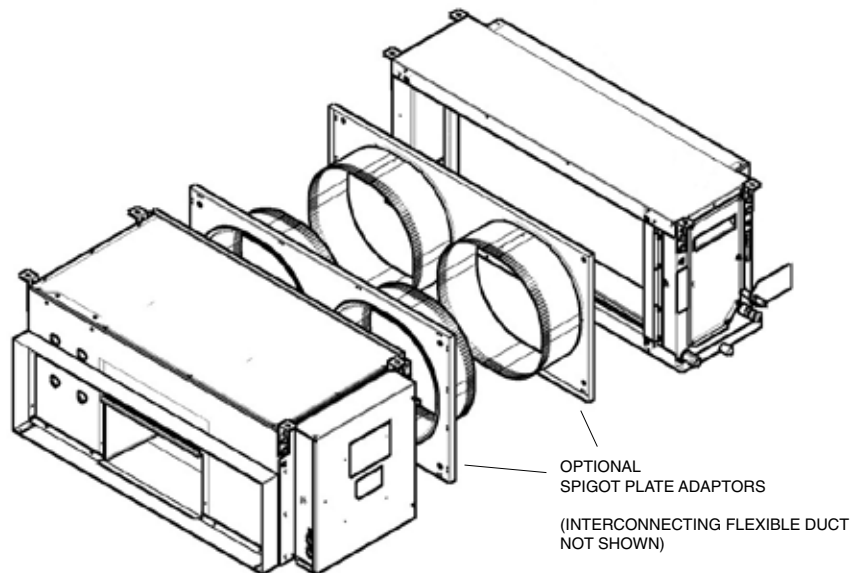
Spigot Plate Adaptor Kit

for separable ISD 86–280 KY Indoor Units

These ISD units are being progressively redesigned to make them easier to separate and fit the spigot plate adaptors. They have a 4 bolt connection design, instead of numerous PK screws, and no external insulation.

The new adaptors are **not** compatible with the older ISD models – distinguished by their external insulation.

Refer table below for Spigot Plate Adaptor compatibility.



Model	Externally Insulated Units			4 Bolt Connection Design		
	Old Slave Unit	Old T/stat Unit	Old Spigot kit	New Slave Unit	New T/stat Unit	New Spigot kit
ISD 86KY	525-171-601	525-181-601	525-171-605	N/A	N/A	N/A
ISD 114KY	525-231-601	525-241-601	525-231-605	N/A	N/A	N/A
ISD 139KY	525-271-601	525-281-601	525-231-605	525-271-701	525-281-701	525-271-705
ISD 159KY	525-301-601	525-311-601	525-301-605	525-301-701	525-311-701	525-381-605
ISD 184KY	525-361-601	525-371-601	525-301-605	525-361-701	525-371-701	525-381-605
ISD 196KY	N/A	N/A	N/A	525-381-601	525-391-701	525-381-605
ISD 235KY	525-401-601	525-411-701	525-401-605	525-401-601	525-411-701	525-411-705
ISD 280KY	525-431-601	525-441-701	525-431-605	525-431-601	525-441-701	525-441-705