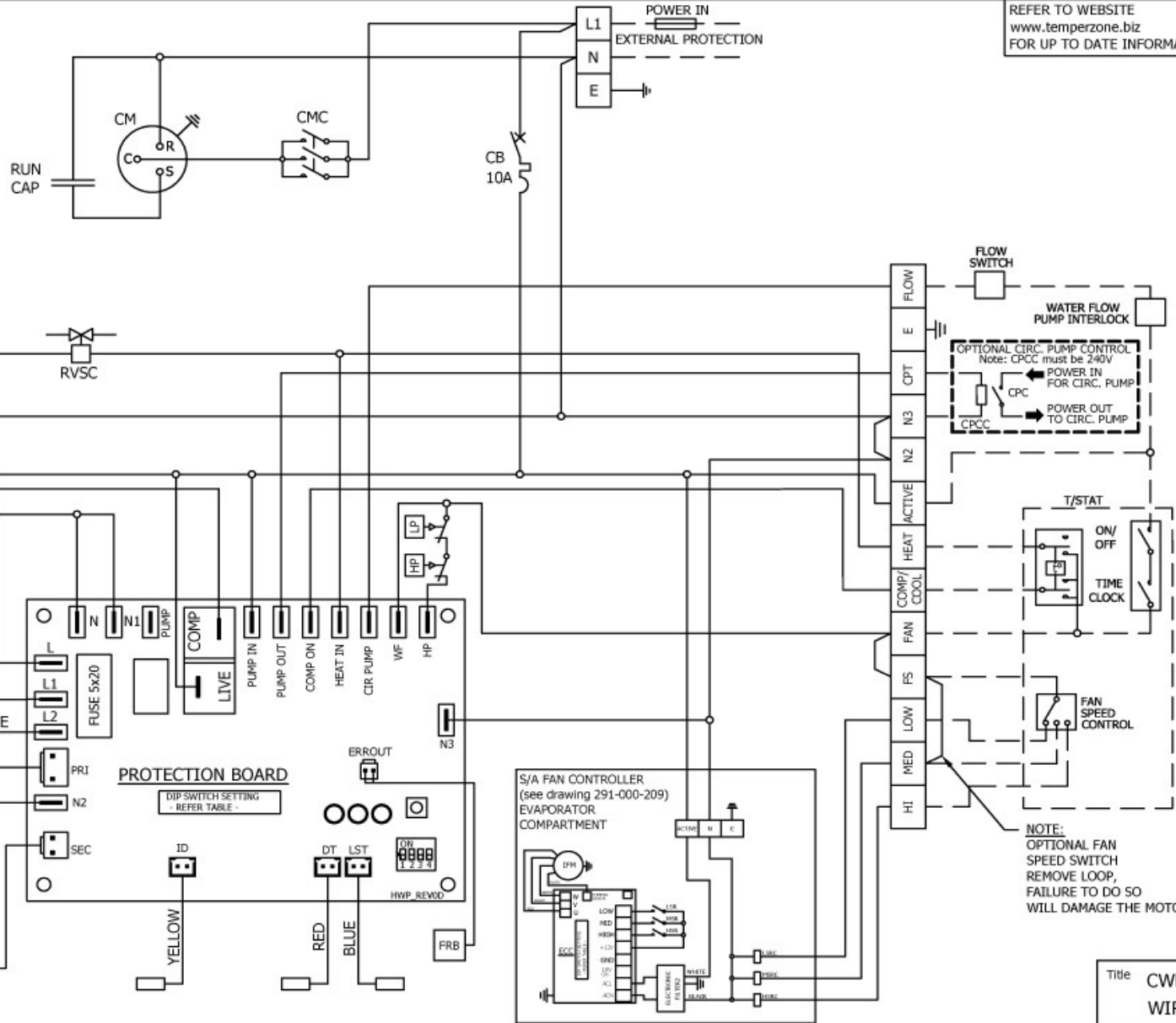


DO NOT SCALE - ASK



REFER TO WEBSITE
www.temperzone.biz
FOR UP TO DATE INFORMATION

CWP0063RKSYS (R410A)	
COMP. RUN AMPS AT RATING - COOLING	A 6.8
COMPRESSOR RUN CAPACITOR	µF 40
IFM, 900w 3SP RUN AMPS.	A 0.7
TOTAL RUNNING AMPS.	A 7.5
HFC (R410A)	kg 1.34

ABBR.	DESCRIPTION
CAP	CAPACITOR
CB	CIRCUIT BREAKER
CM	COMPRESSOR MOTOR
CMC	COMPRESSOR CONTACTOR
CMCC	COMPRESSOR CONTACTOR COIL
CPC	CIRC. PUMP CONTACTOR
CPCC	CIRC. PUMP CONTACTOR COIL
CPT	CIRC. PUMP TERMINAL
ECC	EC MOTOR CONTROLLER
FRB	FAULT RELAY BOARD
HP	HI PRESS. CONTROL
HSR	HI SPEED FAN RELAY
HSRC	HI SPEED FAN RELAY COIL
IFM	INDOOR FAN MOTOR
LP	LOW PRESS. CONTROL
LSR	LOW SPEED FAN RELAY
LSRC	LOW SPEED FAN RELAY COIL
MSR	MED SPEED FAN RELAY
MSRC	MED SPEED FAN RELAY COIL
RVSC	REVERSING VALVE SOLENOID COIL

NOTE:
OPTIONAL FAN
SPEED SWITCH
REMOVE LOOP,
FAILURE TO DO SO
WILL DAMAGE THE MOTOR

Title CWP0063RKSYS
WIRING SCHEMATIC - PROTECTION BOARD



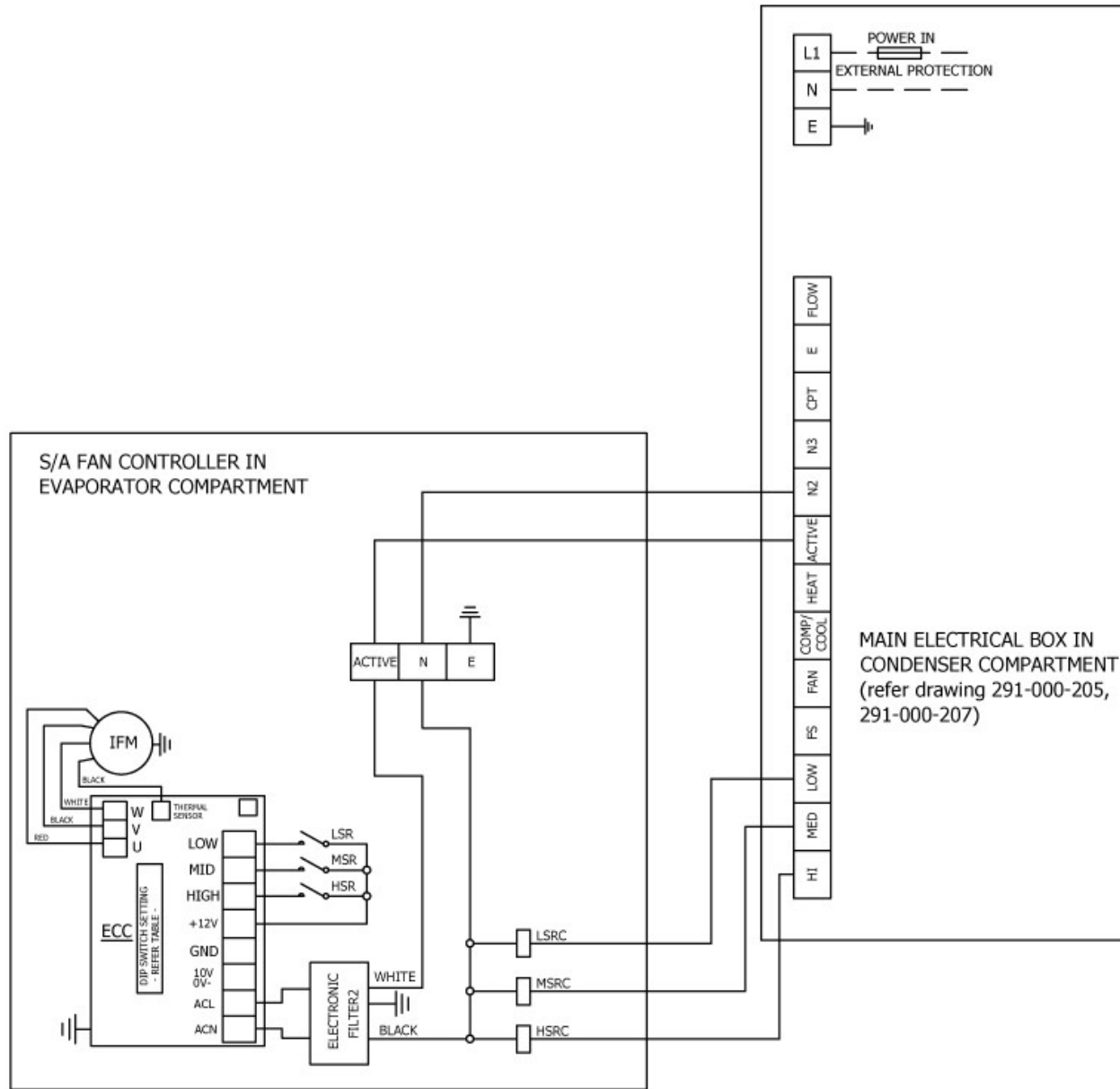
ISSUE	MODIFICATION	EC/N	DATE	APRVD	CLIENT WIRING
D	TITLE CWP0063RKSYS WAS CWP0065RKSYS	A2408	7/02/14	JPB	Interconnections between units by client. Double insulated multi-core cable. NOTE: CHECK WIRING BEFORE SWITCHING ON, INCORRECT CONNECTION WILL DAMAGE MOTORS.
C	TITLE CWP0065RKSYS WAS CWP0063RKSYS	A2271	12/04/13	JPB	
B	C.R.A. 6.8 & T.R.A. 7.5 WAS 6.1 & 6.8	A2236	14/01/13	JPB	

STANDARD DIPSWITCH SETTINGS			
	OFF	ON	ON
COOL ONLY	1	ON	HEAT PUMP
FAULT RELAY ACTIVATED UPON FINAL LOCK OUT.	2	ON	FAULT RELAY ACTIVATED WITH EACH SYSTEM FAULT
LST ACTIVATED AT -2°C	3	ON	LST ACTIVATED AT -1°C
SPARE	4	ON	

Drawn	JPB	Date	02/08/12	Drawing No.	291-000-205	Rev.	D
Scale	.	Aprvd	.				

temperzone limited 2009

DO NOT SCALE - ASK



CWP0063 (R410A)		
IFM, 900W 3SP RUN AMPS.	A	0.7
ABBR.	DESCRIPTION	
ECC	EC MOTOR CONTROLLER	
HSR	HIGH SPEED FAN RELAY	
HSRC	HIGH SPEED FAN RELAY COIL	
IFM	INDOOR FAN MOTOR	
LSR	LOW SPEED FAN RELAY	
LSRC	LOW SPEED FAN RELAY COIL	
MSR	MED. SPEED FAN RELAY	
MSRC	MED. SPEED FAN RELAY COIL	

REFER TO WEBSITE
www.temperzone.biz
FOR UP TO DATE INFORMATION

EC-BOARD SPEED SELECTION - DIP SWITCH 2 (DIP2)								
SWITCH 1	OFF	OFF	OFF	OFF	OFF	OFF	OFF	OFF
SWITCH 2	OFF	ON	OFF	ON	OFF	ON	OFF	ON
SWITCH 3	OFF	OFF	ON	ON	OFF	OFF	ON	ON
SWITCH 4	OFF	OFF	OFF	OFF	ON	ON	ON	ON
SWITCH 5	OFF	OFF	OFF	OFF	OFF	OFF	OFF	OFF
Max (rpm)	1500	1400	1350	1300	1200	1200	1100	1500
Min (rpm)	1200	1000	1050	1000	900	700	800	500

Title CWP0063RKSYS, CWP0063CKSY
WIRING SCHEMATIC - S/A FAN CONTROLLER



ISSUE	MODIFICATION	EC/N	DATE	APRVD	CLIENT WIRING
D	TITLE CWP0063RKSYS WAS CWP0065REKSY	A2408	7/02/14	JPB	Interconnections between units by client. Double insulated multi-core cable. NOTE: CHECK WIRING BEFORE SWITCHING ON, INCORRECT CONNECTION WILL DAMAGE MOTORS.
C	TITLE CWP0065RKSYS WAS CWP0063RKSYS	A2271	12/04/13	JPB	
B	DIP SWITCH 2 1100-800 RPM WAS 1300-1000	A2249	13/02/13	JPB	

EC-BOARD STANDARD SELECTION - DIP SWITCH 1 (DIP1)			
	OFF	ON	ON
3 SPEED FAN HI/MED/LOW	1		0-10V CONTROL
NORMAL FORWARD ACTION	2		REVERSE ACTION
1.25KW MOTOR	3		900W MOTOR
LEAVE IN THIS POSITION	4		DO NOT USE

Drawn	JPB	Date	02/08/12	Drawing No.	291-000-209	Rev.	D
Scale	.	Aprvd	.				