

SPECIFICATIONS



Indoor Unit (525-451-712)	ISD 224KYX
Outdoor Unit (536-451-311)	OSA 224RKTGH (digital)
Cooling capacity (net) to AS/NZS 3823 T1	21.44 kW
Heating capacity H1	21.45 kW
Electrical input - cooling	6.75 kW
Electrical input - heating	6.75 kW
EER / AEER (cooling)	3.18 / 3.16
Unit Controllers	UC8 / IUC
Refrigerant	R410A
Refrigerant precharge for 10 m	10.5 kg
Additional charge req'd for over 10 m	100 g/m
Base refrigerant charge OSA	9.5 kg
Maximum line length	60 m
Separation limit: OSA above ISD	20 m
Separation limit: OSA below ISD	20 m
Suction line	22 mm OD
Liquid line	13 mm OD
Compressor oil type	POE 32-3MAF (or equivalent)
Additional oil charge over 40m line length	20 ml/m
Compressor type	digital scroll
Power supply via OSA	3 ph. 400V ac 50Hz
Compressor (3ph.) run amps at rating cond.	9 A
Indoor fan motor size	1250 W
Rated indoor fan speed	HIGH
Indoor fan motor (1ph.) - full load	6 A
Outdoor fan motor (1ph.) - full load	1.5 A (x2)
Outdoor fan capacitor size	6 μ fd (x2)
Control circuit breaker (internal)	20 A
Running amps (total system)	15 / 9 / 9 A
Max. running amps (total system)	19 / 12.5 / 12.5 A
Net weight ISD	91 kg
Net weight OSA	185 kg

Accessories:

ISD Spring mounting kit	307-161-101
ISD Spigot plate adaptor Ø450 x 2	525-311-715
ISD Filter box c/w EU4/G4 filter (NZ only)	493-000-007
ISD Replacement filter (NZ only)	019-400-002(x2), 019-400-003(x1)
ISD Supply air plenum Ø400 x 3 (NZ only)	492-000-005
ISD Return air plenum Ø400 x 3 (NZ only)	492-100-006
ISD Fresh air inlet spigot Ø200 (NZ only)	325-000-052
OSA Drain connection adaptor 25/13mm	060-000-039
OSA Anti-vibration mounts - rubber (x4)	060-000-170

Optional Controls:

SAT-3 Room temperature controller	201-000-146
Six Zone Control kit for SAT-3	201-000-073
TZT-100 Room temperature controller	201-000-350

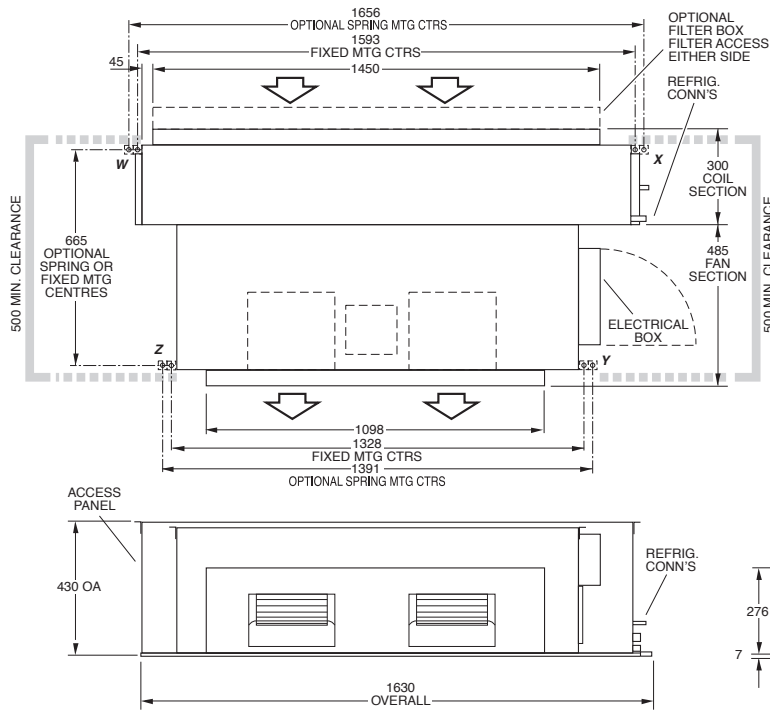
Refer to temperzone for other options, eg remote sensors, connection wires.

DIMENSIONS (mm)



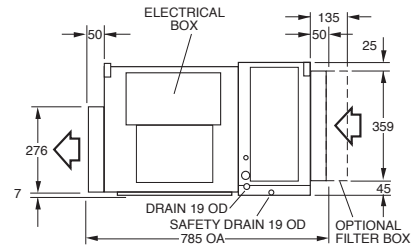
Not to Scale

ISD 224KYX Indoor Unit

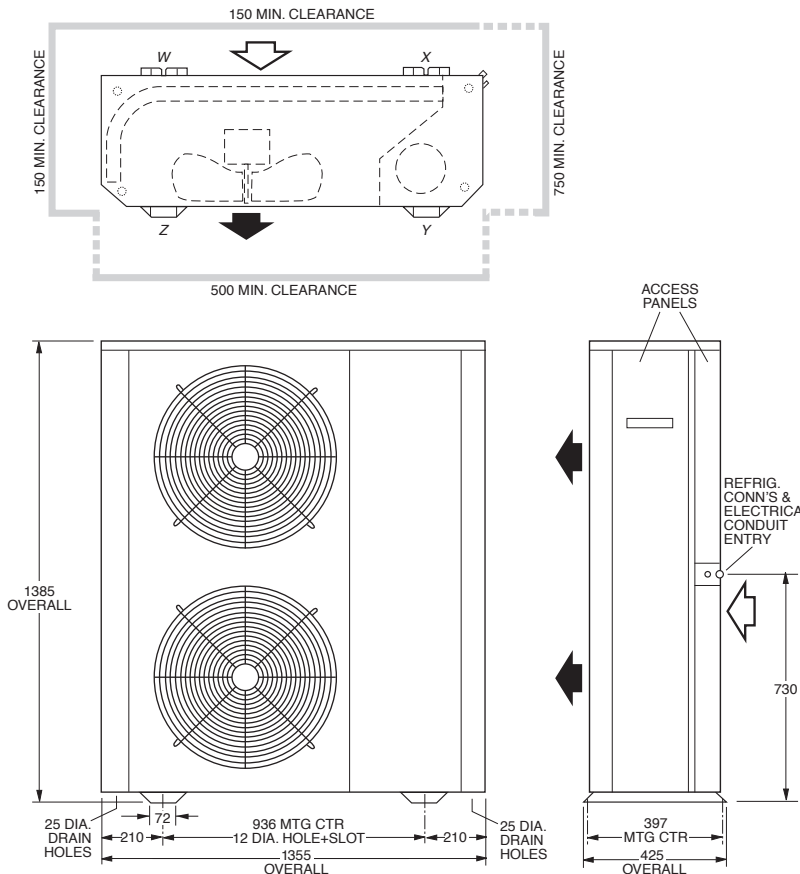


POINT LOADS (kg)			
W	X	Y	Z
24	26	21	20

Note: Fan motor can be accessed from panel above, below or sides; no more than two panels at once.



OSA 224RKTGH Outdoor Unit



POINT LOADS (kg)			
W	X	Y	Z
36	72	48	29

Recommended Connecting Pipe Sizes
 Suction : 22 mm OD
 Liquid : 13 mm OD

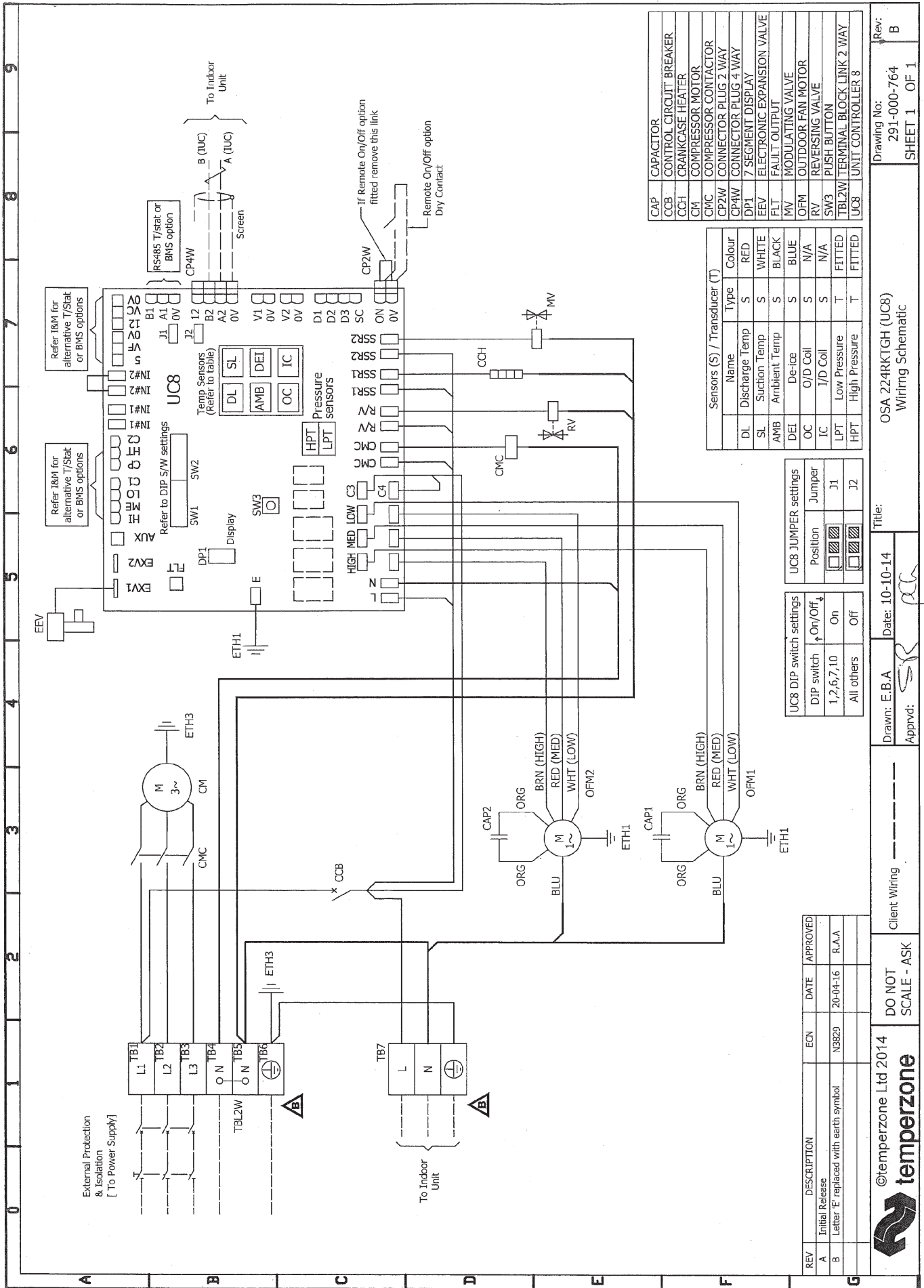
NOTE

Specifications are subject to change without notice due to the manufacturer's ongoing research and development programme.



OUTDOOR UNIT WIRING

Indoor-Outdoor Connection Wiring: refer 'Installation & Maintenance' pamphlet, page 6.



CAP	CAPACITOR
CCB	CONTROL CIRCUIT BREAKER
CCH	CRANKCASE HEATER
CM	COMPRESSOR MOTOR
CMC	COMPRESSOR CONTACTOR
CP2W	CONNECTOR PLUG 2 WAY
CP4W	CONNECTOR PLUG 4 WAY
DP1	7 SEGMENT DISPLAY
EEV	ELECTRONIC EXPANSION VALVE
FLT	FAULT OUTPUT
MV	MODULATING VALVE
OFM	OUTDOOR FAN MOTOR
RV	REVERSING VALVE
SW3	PUSH BUTTON
TBL2W	TERMINAL BLOCK LINK 2 WAY
UC8	UNIT CONTROLLER 8

Sensors (S) / Transducer (T)			
Name	Colour		
DL	Discharge Temp	S	RED
SL	Suction Temp	S	WHITE
AMB	Ambient Temp	S	BLACK
DEI	De-ice	S	BLUE
OC	O/D Coil	S	N/A
IC	I/D Coil	S	N/A
LPT	Low Pressure	T	FITTED
HPT	High Pressure	T	FITTED

UC8 JUMPER settings	
Position	Jumper
1	J1
2	J2

UC8 DIP switch settings	
DIP switch	On/Off
1,2,6,7,10	On
All others	Off

REV	DESCRIPTION	ECN	DATE	APPROVED
A	Initial Release			
B	Letter 'E' replaced with earth symbol	N3829	20-04-16	R.A.A

Drawing No: 291-000-764
 SHEET 1 OF 1
 Rev: B
 Title: OSA 224RKTGH (UC8) Wiring Schematic
 Date: 10-10-14
 Drawn: E.B.A
 Approved: *SR*
 Client Wiring
 DO NOT SCALE - ASK
 ©temperzone Ltd 2014
temperzone