

SPECIFICATIONS



Indoor Unit	(525-051-711)	ISDL 66KYX
Outdoor Unit	(526-061-311)	OSA 66RKSH
Cooling capacity (net) to AS/NZS 3823 T1		6.5 kW
Heating capacity H1		6.2 kW
Electrical input - cooling		2.0 kW
Electrical input - heating		1.9 kW
EER / AEER (cooling)		3.25 / 3.20
Unit Controllers		UC8 / IUC
Refrigerant		R410A
Refrigerant precharge for 10 m		3.15 kg
Additional charge req'd for over 10 m		50 g/m
Base refrigerant charge OSA		2.65 kg
Maximum line length		40 m
Separation limit: OSA above ISD		20 m
Separation limit: OSA below ISD		20 m
Suction line		16 mm OD
Liquid line		9.5 mm OD
Compressor oil type		POE 32-3MAF (or equivalent)
Additional oil charge over standard line length		10 ml/m
Compressor type		scroll
Power supply via OSA		1 ph. 220–240V ac 50Hz
Compressor run amps at rating cond.		7.2 A
Compressor run capacitor		40 μ fd
Indoor fan motor size		230 W
Indoor fan motor (1ph.) - full load		1.5 A
Rated indoor fan speed		MED
Outdoor fan motor (1ph.) - full load		1.1 A
Outdoor fan capacitor size		5 μ fd
Control circuit breaker (internal)		10 A
Running amps (total system)		9.4 A
Max. running amps (total system)		15 A
Net weight ISDL		49 kg
Net weight OSA		85 kg

Accessories:

ISDL Spring mounting kit	307-161-101
ISDL filter EU2/G2 rated <small>(NZ only)</small>	119-000-101 (x2)
OSA Drain connection adaptor 25/13mm	060-000-039
OSA Anti-vibration mounts - rubber (x4)	060-000-170

Optional Controls:

SAT-3 Room temperature controller	201-000-146
TZT-100 Room temperature controller	201-000-350

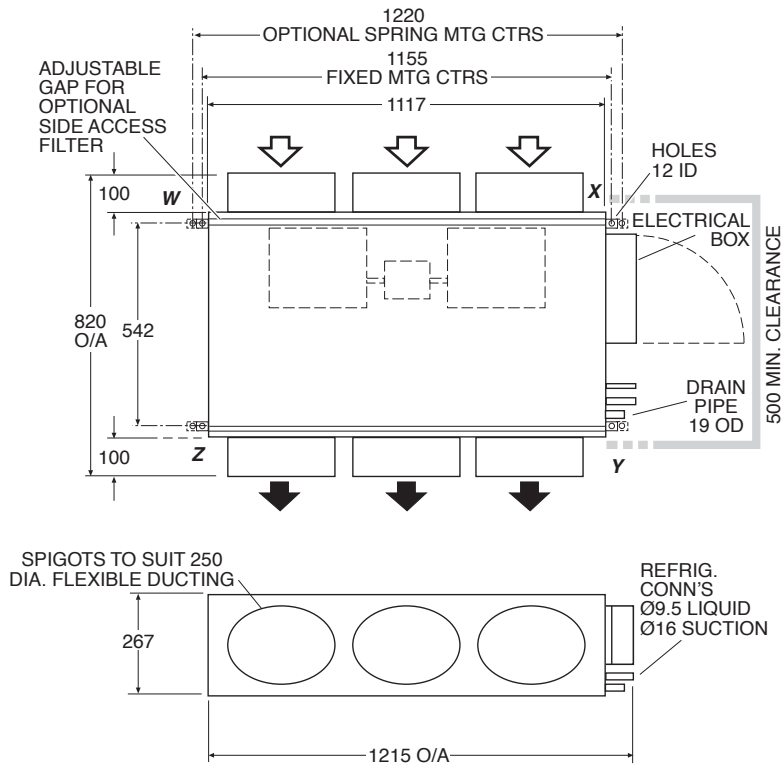
Refer to temperzone for other options, eg remote sensors, connection wires.

DIMENSIONS (mm)



Not to Scale

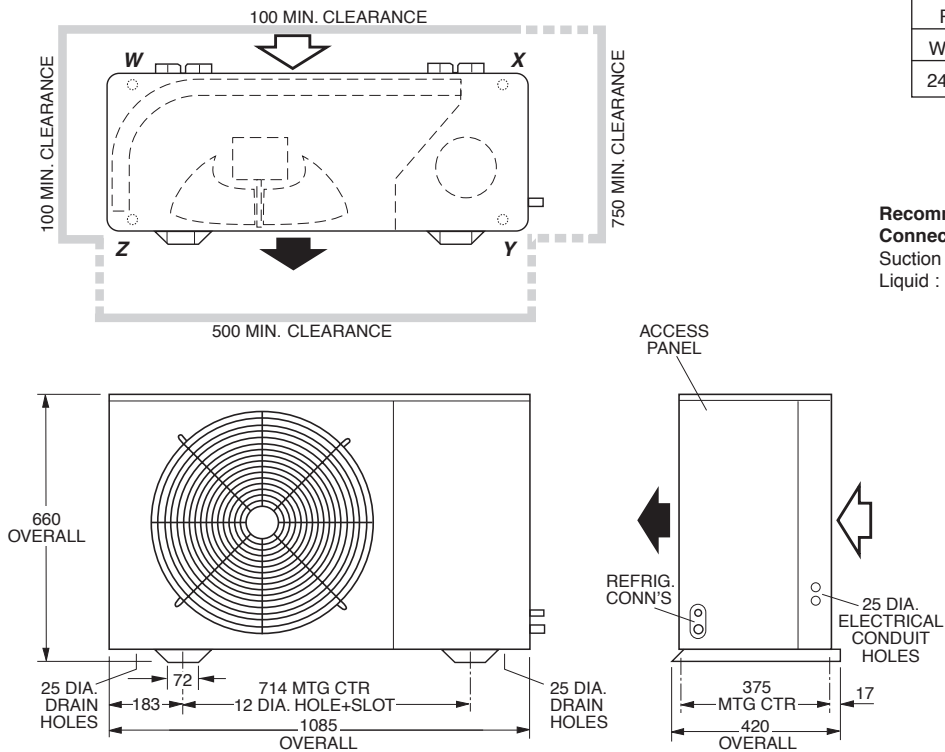
ISDL 66KYX Indoor Unit



POINT LOADS (kg)			
W	X	Y	Z
9	12	14	14

Note: Fan motor can be accessed from panel above, below or sides; no more than two panels at once.

OSA 66RKSH Outdoor Unit



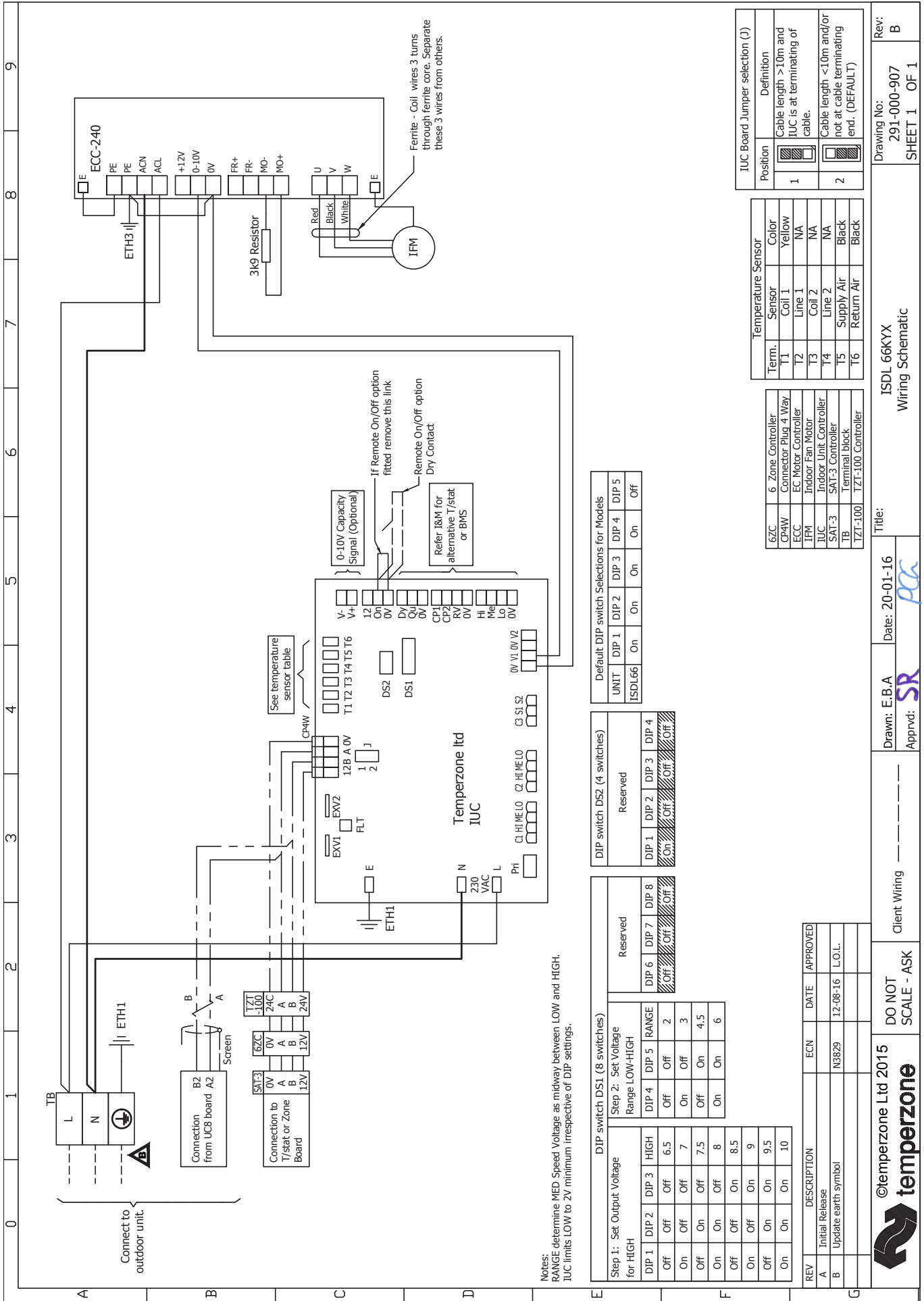
POINT LOADS (kg)			
W	X	Y	Z
24	17	38	6

Recommended Connecting Pipe Sizes
 Suction : 16 mm OD
 Liquid : 9.5 mm OD

NOTE

Specifications are subject to change without notice due to the manufacturer's ongoing research and development programme.





Notes:
 RANGE determine MED Speed Voltage as midway between LOW and HIGH.
 IUC limits LOW to 2V minimum irrespective of DIP settings.

Default DIP switch Selections for Models

UNIT	DIP 1	DIP 2	DIP 3	DIP 4	DIP 5
ISDL66	On	On	On	On	Off

DIP switch DS2 (4 switches)

Reserved			
DIP 1	DIP 2	DIP 3	DIP 4
On	On	Off	Off

DIP switch DS1 (8 switches)

Reserved							
Range LOW-HIGH				Range HIGH			
DIP 1	DIP 2	DIP 3	DIP 4	DIP 5	DIP 6	DIP 7	DIP 8
Off	Off	Off	Off	Off	Off	Off	Off
On	On	On	On	On	On	On	On
Off	Off	Off	Off	Off	Off	Off	Off
On	On	On	On	On	On	On	On
Off	Off	Off	Off	Off	Off	Off	Off
On	On	On	On	On	On	On	On

IUC Board Jumper selection (J)

Position	Definition
1	Cable length > 10m and IUC is at terminating of cable.
2	Cable length < 10m and/or not at cable terminating end. (DEFAULT)

Temperature Sensor

Term.	Sensor	Color
T1	Coil 1	Yellow
T2	Line 1	NA
T3	Coil 2	NA
T4	Line 2	NA
T5	Supply Air	Black
T6	Return Air	Black

6 Zone Controller Connector Plug 4 Way

CP4W	EC Motor Controller
IFM	Indoor Fan Motor
IUC	Indoor Unit Controller
SAT-3	SAT-3 Controller
TB	Terminal block
TZ1-100	TZ1-100 Controller

REV	DESCRIPTION	ECN	DATE	APPROVED
A	Initial Release			
B	Update earth symbol	N3829	12-08-16	L.O.L.

©temperzone Ltd 2015

temperzone

DO NOT SCALE - ASK

Client Wiring

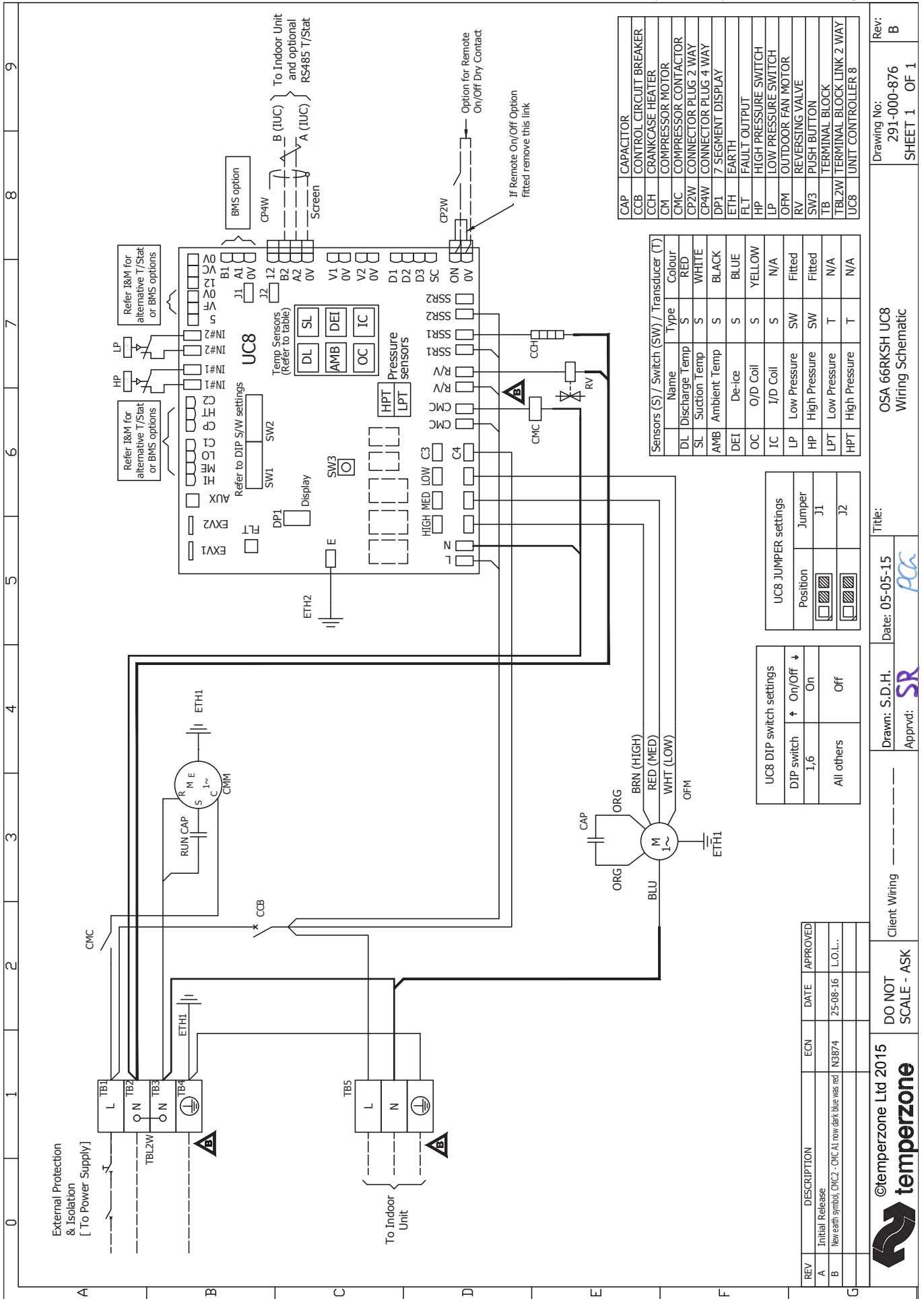
Drawn: E.B.A Date: 20-01-16

Approved: *SR*

ISDL 66KYYX
 Wiring Schematic

Drawing No: 291-000-907
 SHEET 1 OF 1

Rev: B



Rev: B
Drawing No: 291-000-876
SHEET 1 OF 1

OSA 66RKSU UC8
Wiring Schematic

Title: OSA 66RKSU UC8
Date: 05-05-15
Drawn: S.D.H.
Apprvd: SR

Client Wiring

DO NOT SCALE - ASK

©temperzone Ltd 2015
temperzone

REV	DESCRIPTION	ECN	DATE	APPROVED
A	Initial Release			
B	New earth symbol, CMC2 - CMC A1 row dark blue was red	N3874	25-08-16	L.O.L...