

SPECIFICATIONS



Indoor Unit	(525-201-711)	ISDL 116KYX
Outdoor Unit	(536-241-311)	OSA 116RKTGH (30)
Cooling capacity (net) to AS/NZS 3823 T1		10.9 kW
Heating capacity H1		11.1 kW
Electrical input - cooling		3.3 kW
Electrical input - heating		3.1 kW
EER / AEER (cooling)		3.21 / 3.19
Unit Controllers		UC8 / IUC
Refrigerant		R410A
Refrigerant precharge for 10 m		4.45 kg *
Additional charge req'd for over 10 m		50 g/m
Base refrigerant charge OSA		3.25 kg
Maximum line length		60 m
Separation limit: OSA above ISD		20 m
Separation limit: OSA below ISD		20 m
Suction line		16 mm OD
Liquid line		9.5 mm OD
Compressor oil type		POE 32-3MAF (or equivalent)
Additional oil charge over standard line length		10 ml/m
Compressor type		digital scroll
Power supply via OSA		3 ph. 400V ac 50Hz
Compressor run amps at rating cond.		4.5 A/ph.
Indoor fan motor size		230 W (x2)
Rated indoor fan speed		HIGH
Indoor fan motors (1ph.) - full load		1.6 A
Outdoor fan motor (1ph.) - full load		1.5 A
Outdoor fan capacitor size		6 μ fd
Control circuit breaker (internal)		10 A
Running amps (total system)		7.1 / 4.5 / 4.5 A
Max. running amps (total system)		9.3 A
Net weight ISDL		68 kg
Net weight OSA		128 kg

Accessories:

ISDL Spring mounting kit	307-161-101
ISDL Replacement filter EU2/G2 rated ^(NZ only)	119-000-085 (x2)
OSA Drain connection adaptor 25/13mm	060-000-039
OSA Anti-vibration mounts - rubber (x4)	060-000-170

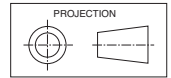
Optional Controls:

SAT-3 Room temperature controller	201-000-146
Six Zone Control kit for SAT-3	201-000-073
TZT-100 Room temperature controller	201-000-350

Refer to temperzone for other options, eg remote sensors, connection wires.

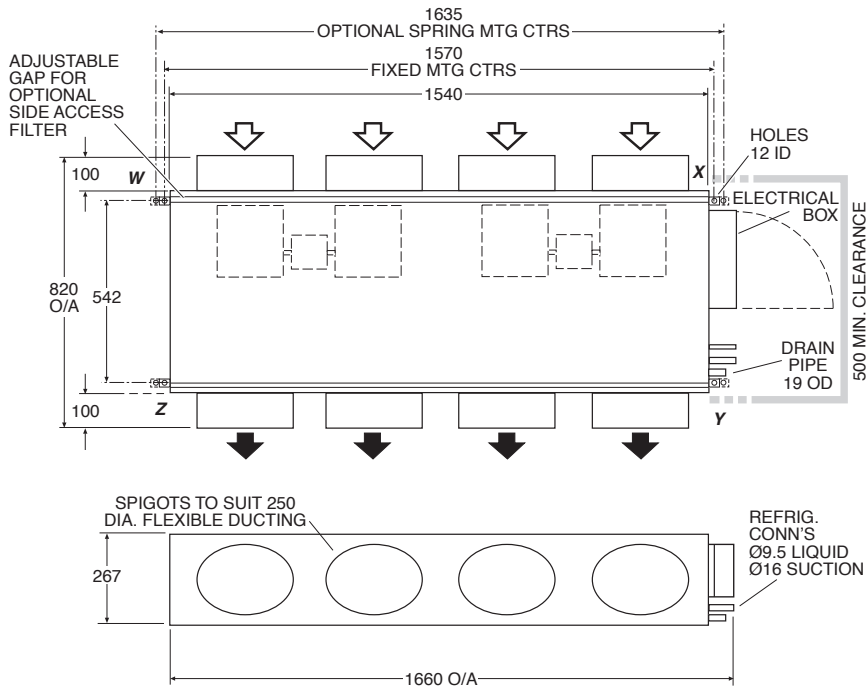
* **Note:** Remove 700 g from precharge for this ISDL/OSA combination. Other combinations use the full precharge.

DIMENSIONS (mm)



Not to Scale

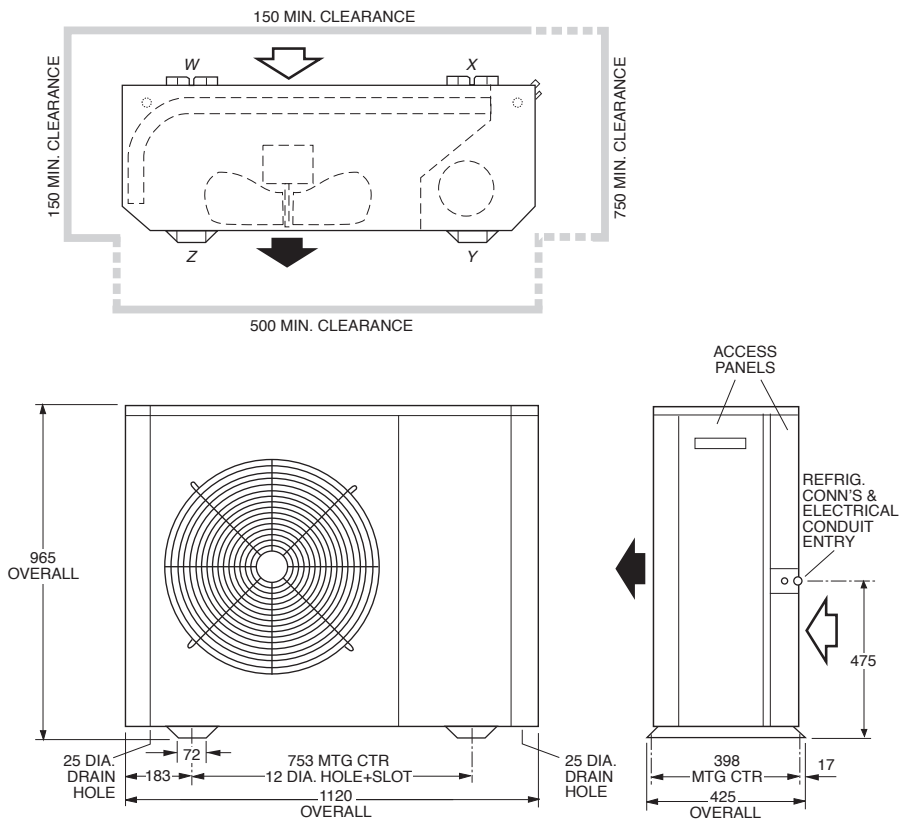
ISDL 116KYX Indoor Unit



POINT LOADS (kg)			
W	X	Y	Z
17	15	18	18

Note: Fan motors can be accessed from below.

OSA 116RKTG Outdoor Unit



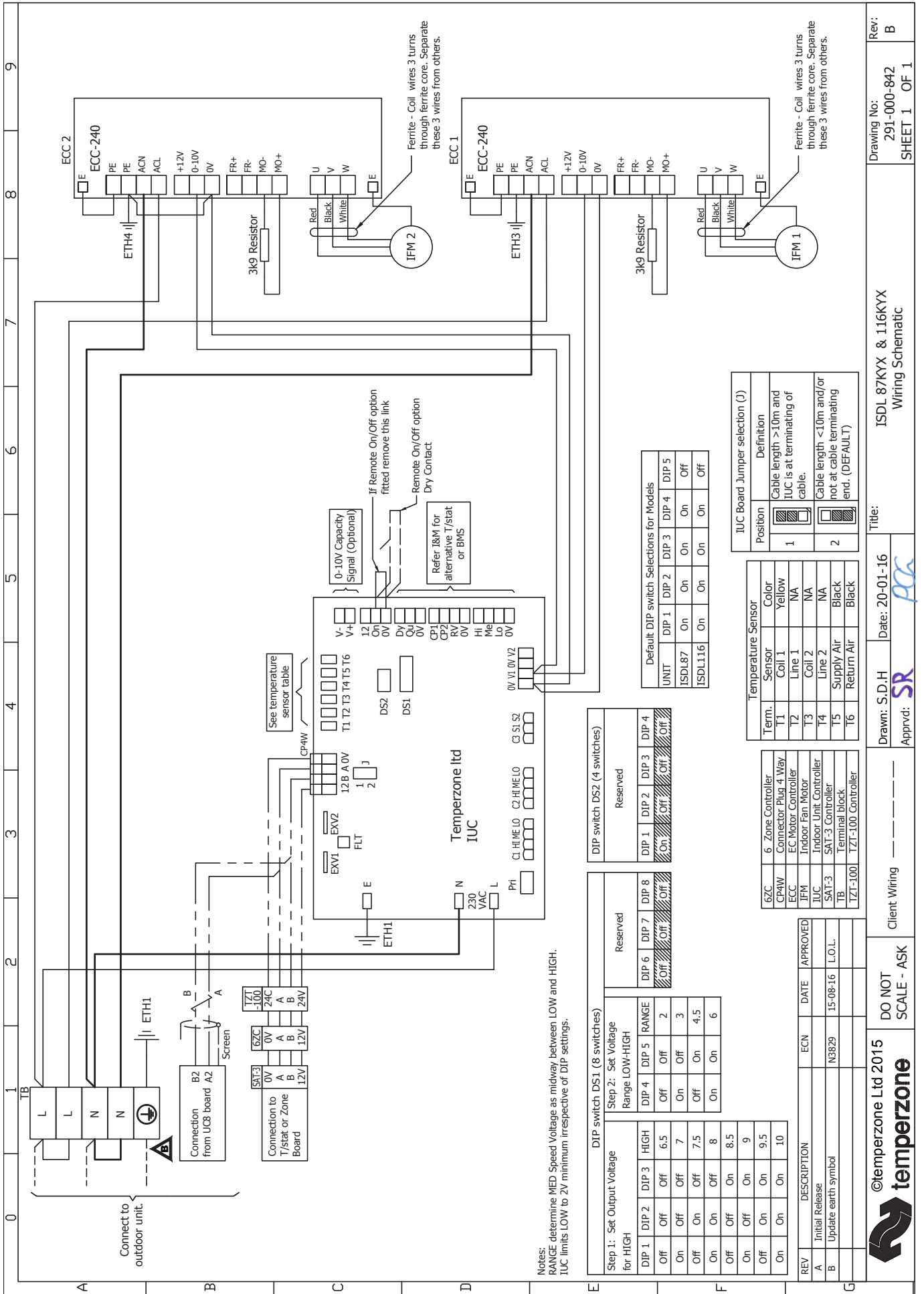
POINT LOADS (kg)			
W	X	Y	Z
16	38	50	24

Recommended Connecting Pipe Sizes
 Suction : 16 mm OD
 Liquid : 9.5 mm OD

NOTE

Specifications are subject to change without notice due to the manufacturer's ongoing research and development programme.

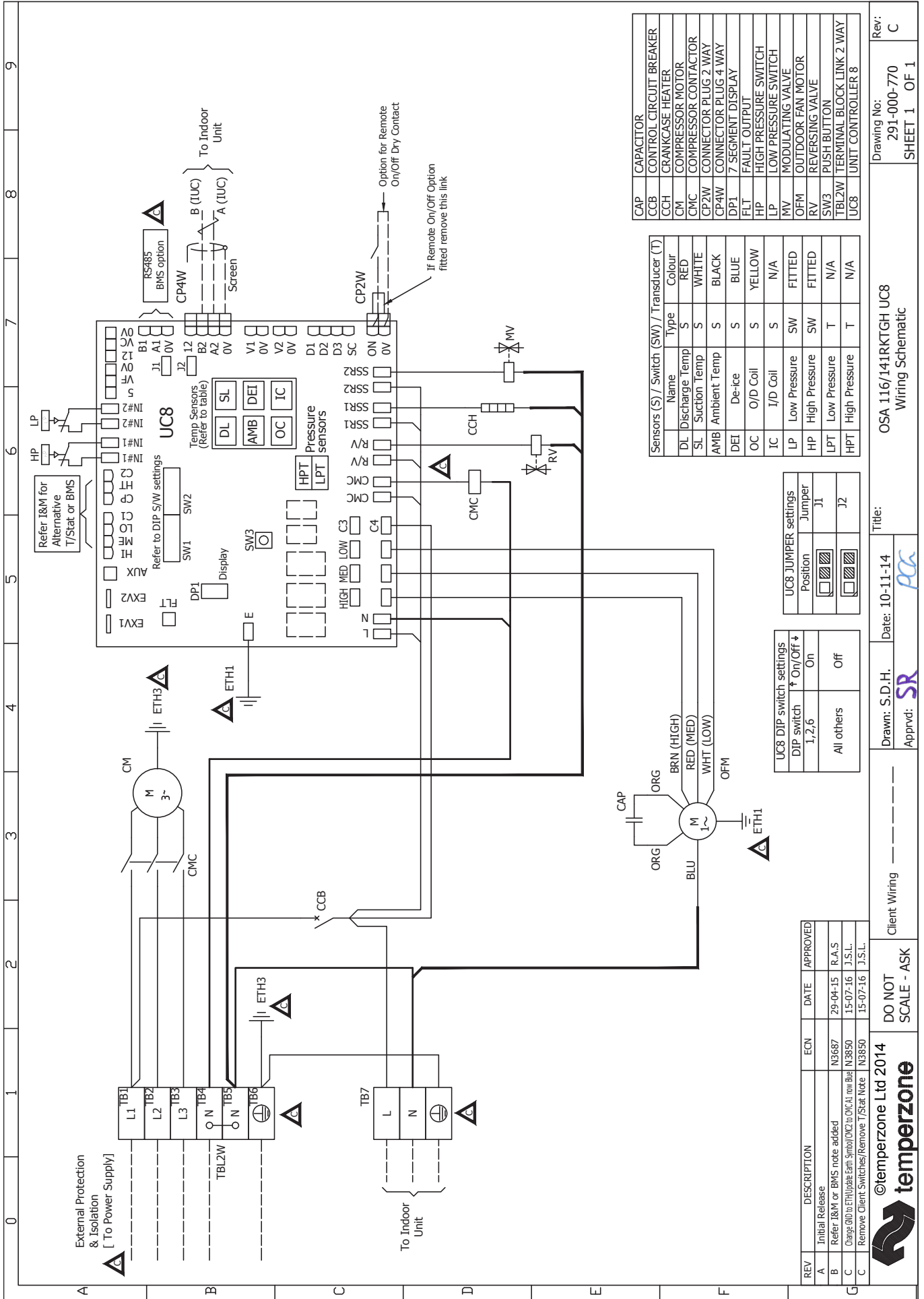




Notes:
 RANGE determine MED Speed Voltage as midway between LOW and HIGH.
 IUC limits LOW to 2V minimum irrespective of DIP settings.

OUTDOOR UNIT WIRING

Indoor-Outdoor Connection Wiring: refer 'Installation & Maintenance' pamphlet, page 6.



CAP	CAPACITOR
CCB	CONTROL CIRCUIT BREAKER
CCH	CRANKCASE HEATER
CM	COMPRESSOR MOTOR
CMC	COMPRESSOR CONTACTOR
CP2W	CONNECTOR PLUG 2 WAY
CP4W	CONNECTOR PLUG 4 WAY
DP1	7 SEGMENT DISPLAY
FLT	FAULT OUTPUT
HP	HIGH PRESSURE SWITCH
LP	LOW PRESSURE SWITCH
OFM	MODULATING VALVE
OFM	OUTDOOR FAN MOTOR
RV	REVERSING VALVE
SW3	PUSH BUTTON
TBL2W	TERMINAL BLOCK LINK 2 WAY
UC8	UNIT CONTROLLER 8

Name	Type	Colour	Transducer (T)
DL	Discharge Temp	RED	
SL	Suction Temp	WHITE	
AMB	Ambient Temp	BLACK	
DEI	De-ice	BLUE	
OC	O/D Coil	YELLOW	
IC	I/D Coil	N/A	
LP	Low Pressure	SW	FITTED
HP	High Pressure	SW	FITTED
LPT	Low Pressure	T	N/A
HPT	High Pressure	T	N/A

UC8 JUMPER settings	Position	Jumper
DIP switch 1,2,5	On	J1
All others	Off	J2

UC8 DIP switch settings	On/Off
DIP switch 1,2,5	On
All others	Off

Drawing No: 291-000-770
 SHEET 1 OF 1
 Rev: C
 Title: OSA 116/141RKTGH UC8 Wiring Schematic
 Date: 10-11-14
 Drawn: S.D.H.
 Approved: SR
 Client Wiring
 DO NOT SCALE - ASK
 ©temperzone Ltd 2014
temperzone