

| Model | HWP 172RKT |
|---|---------------------------|
| Item No. (Standard/Opposite Hand) | 509-172-001 / 509-172-011 |
| Cooling capacity (net) to AS/NZS 3823 T1 | 17.4 kW |
| Heating capacity H1 | 16.7 kW |
| Electrical input - cooling | 4.1 kW |
| Electrical input - heating | 4.0 kW |
| EER / AEER (cooling) | 4.24 / 4.22 |
| COP / ACOP (heating) | 4.16 / 4.14 |
| Unit Controller | UC8 |
| Refrigerant | R410A |
| Refrigerant charge | 2.0 kg |
| Compressor type | scroll |
| Water connections | 1" male BSP |
| Nominal EWT/EAT on cooling | 30°C / 27°C db, 19°C wb |
| Nominal EWT/EAT on heating | 20°C / 20°C |
| Nominal Water Flow @ EWT – LWT = 5k | 1.1 l/s |
| Entering system pressure drop @ nominal flow | 12 psi (83 kPa) |
| Min. water temp. Heat cycle at nominal flow & EAT | 10°C |
| Min. water temp. Cool cycle at nominal flow & EAT | 15°C |
| Min. water temp. Cool cycle with water flow control valve | 5°C |
| Max. EWT Heat cycle at nominal flow & EAT | 30°C |
| Max. EWT Cool cycle at nominal flow & EAT | 50°C |
| Min. water flow @ nominal EWT & EAT | 0.30 l/s |
| Max. water pressure – excluding hoses | 3200 kPa (464psi) |
| Power supply | 3 ph. 400V ac 50Hz |
| Compressor run amps at rating cond. | 5.9 A |
| Indoor fan motor size | 750 W |
| Indoor fan motor (1ph.) - full load | 5.8 A |
| Control circuit breaker (internal) | 10 A |
| Running amps (total system) | 10.2 / 6.0 / 6.0 A |
| Max. running amps (total system) | 13.4 / 8.8 / 8.8 A |
| Net weight | 153 kg |

Accessories:

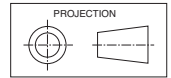
| | |
|--------------------------------------|-------------------------|
| Spring mounts | supplied |
| Water hoses 800mm long, rated 300psi | 1" female BSP, supplied |
| Replacement filter EU2 rated | 119-000-100 963x405x13 |
| Condensate lift-pump | 507-003-010 |

Optional:

| | |
|-------------------------------------|-------------|
| SAT-3 Room temperature controller | 201-000-146 |
| TZT-100 Room temperature controller | 201-000-350 |

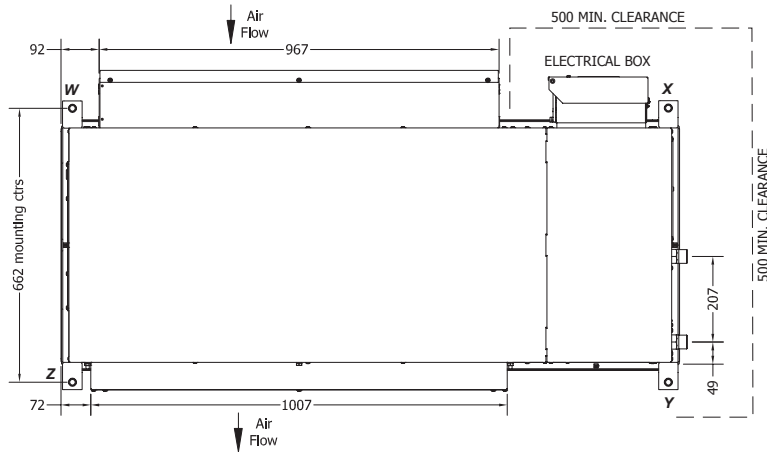
Refer to temperzone for other options, eg remote sensors

DIMENSIONS (mm)



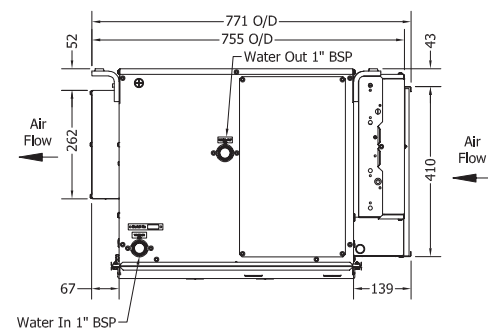
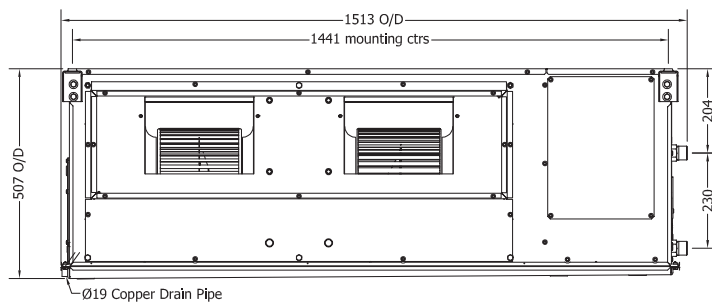
Not to Scale

HWP 172RKT Standard



| POINT LOADS (kg) | | | |
|------------------|----|----|----|
| W | X | Y | Z |
| 29 | 47 | 50 | 28 |

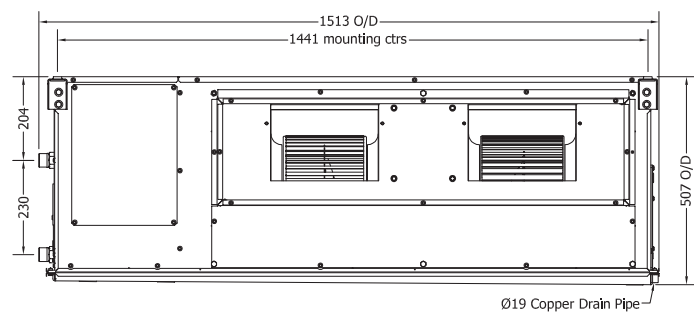
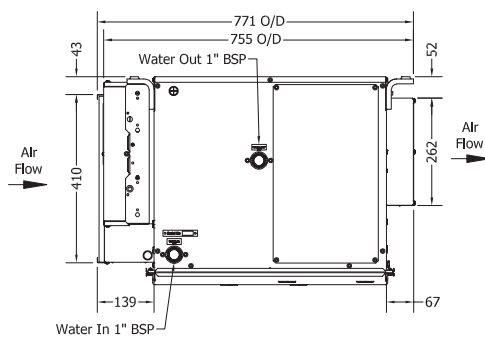
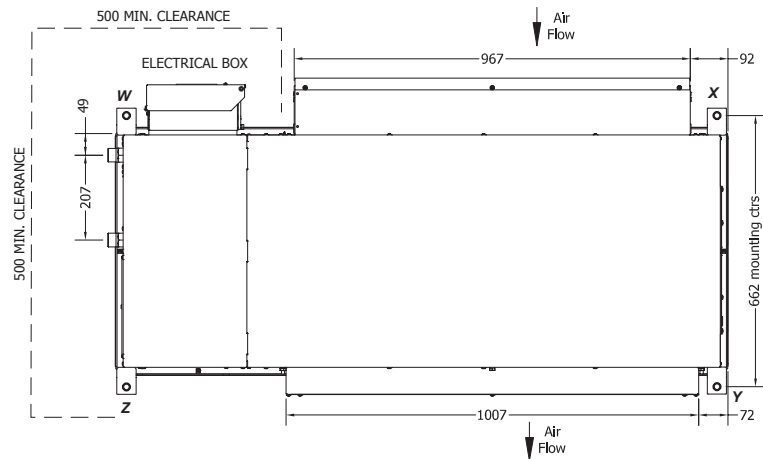
Note: Fan motor can be accessed from panel above, below or sides; no more than two panels at once.



HWP 172RKT Opposite Hand

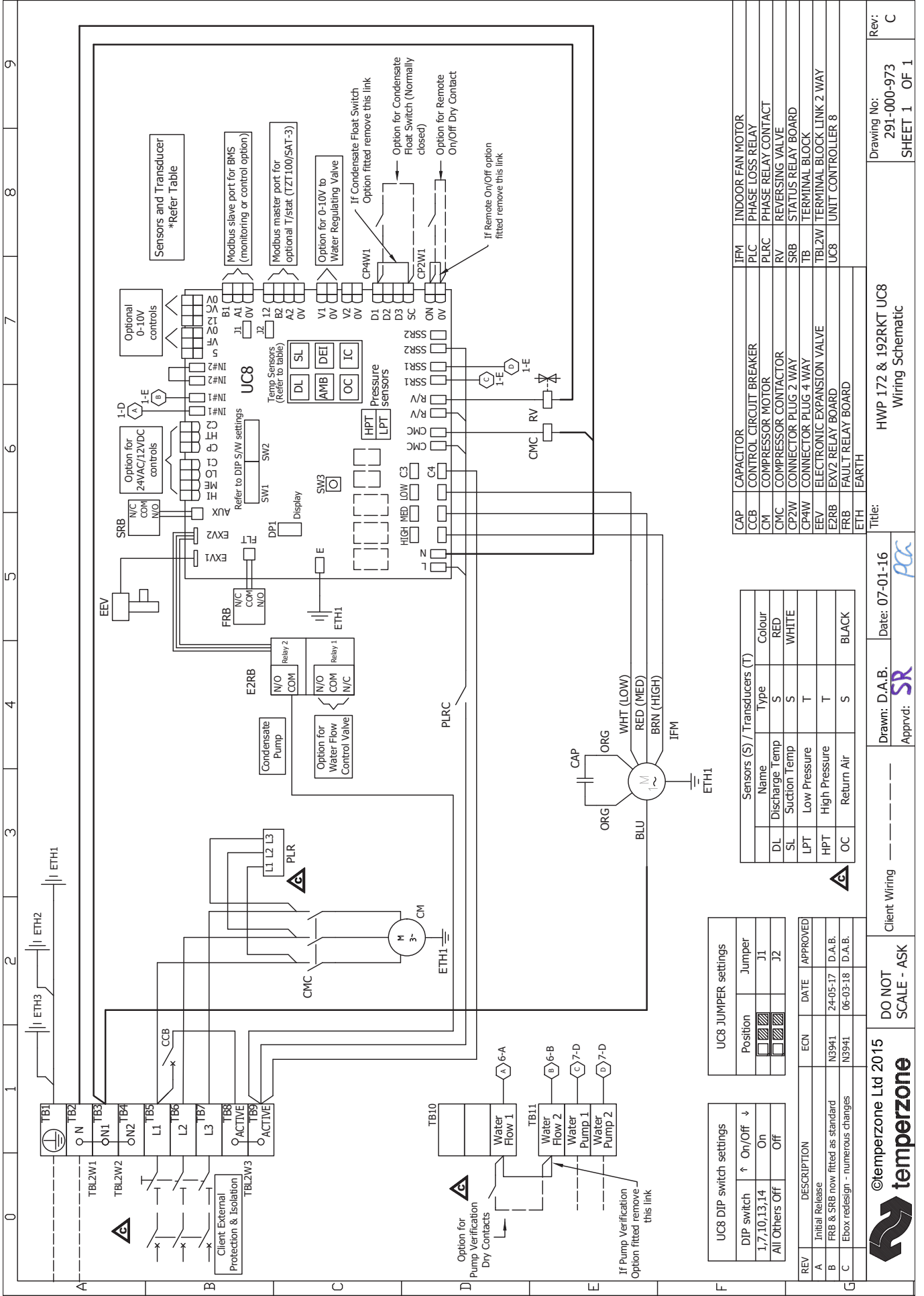
| POINT LOADS (kg) | | | |
|------------------|----|----|----|
| W | X | Y | Z |
| 47 | 28 | 29 | 50 |

Note: Fan motor can be accessed from panel above, below or sides; no more than two panels at once.



NOTE

Specifications are subject to change without notice due to the manufacturer's ongoing research and development programme.



| | |
|-------|---------------------------|
| IFM | INDOOR FAN MOTOR |
| PLC | PHASE LOSS RELAY |
| PLRC | PHASE RELAY CONTACT |
| RV | REVERSING VALVE |
| SRB | STATUS RELAY BOARD |
| TB | TERMINAL BLOCK |
| TBL2W | TERMINAL BLOCK LINK 2 WAY |
| UC8 | UNIT CONTROLLER 8 |
| ETH | EARTH |

| | |
|------|----------------------------|
| CAP | CAPACITOR |
| CCB | CONTROL CIRCUIT BREAKER |
| CM | COMPRESSOR MOTOR |
| CMC | COMPRESSOR CONTACTOR |
| CP2W | CONNECTOR PLUG 2 WAY |
| CP4W | CONNECTOR PLUG 4 WAY |
| EEV | ELECTRONIC EXPANSION VALVE |
| E2RB | EXV2 RELAY BOARD |
| FRB | FAULT RELAY BOARD |
| ETH | EARTH |

| Sensors (S) / Transducers (T) | Name | Type | Colour |
|-------------------------------|----------------|------|--------|
| DL | Discharge Temp | S | RED |
| SL | Suction Temp | S | WHITE |
| LPT | Low Pressure | T | |
| HPT | High Pressure | T | |
| OC | Return Air | S | BLACK |

| UC8 DIP switch settings | |
|-------------------------|--------|
| DIP switch | On/Off |
| 1,7,10,13,14 | On |
| All Others | Off |

| UC8 JUMPER settings | |
|---------------------|--------|
| Position | Jumper |
| J1 | |
| J2 | |

©temperzone Ltd 2015

DO NOT SCALE - ASK

Client Wiring

Drawn: D.A.B. Date: 07-01-16

Approved: SR

Title: HWP 172 & 192RKT UC8 Wiring Schematic

Rev: 291-000-973 SHEET 1 OF 1

SPECIFICATIONS



| Model | HWP 172CKT | HWP 172CEKT |
|---|--------------------|------------------|
| Item No. - Standard | 509-172-101 | 509-172-102 |
| Item No. - Opposite Hand | 509-172-111 | 509-172-112 |
| Cooling capacity (net) to AS/NZS 3823 T1 | 17.4 kW | |
| Heating capacity - Electric heat | n/a | 9.0 kW |
| Electrical input - cooling | 4.1 kW | |
| Electrical input - heating | n/a | 10.1 kW |
| EER / AEER (cooling) | 4.24 / 4.23 | |
| Unit Controller | UC8 | |
| Refrigerant | R410A | |
| Refrigerant charge | 2.0 kg | |
| Compressor type | scroll | |
| Water connections | 1" male BSP | |
| Nominal EWT on cooling | 30°C | |
| Nominal EAT on cooling | 27°C db, 19°C wb | |
| Nominal Water Flow @ EWT – LWT = 5k | 1.1 l/s | |
| Entering system pressure drop @ nominal flow | 83 kPa (12 psi) | |
| Min. water temp. Cool cycle at nominal flow & EAT | 15°C | |
| Min. water temp. Cool cycle with water flow control valve | 5°C | |
| Max. EWT Cool cycle at nominal flow & EAT | 50°C | |
| Min. water flow @ nominal EWT & EAT | 0.30 l/s | |
| Max. water pressure – excluding hoses | 3200 kPa (464 psi) | |
| Power supply | 3 ph. 400V ac 50Hz | |
| Compressor run amps at rating cond. | 5.9 A/ph. | |
| Indoor fan motor size | 750 W | |
| Indoor fan motor (1ph.) - full load | 4.9 A | |
| Control circuit breaker (internal) | 10 A | |
| Running amps (total system) | 10.2 / 6.0 / 5.9 A | 17.8 / 13 / 13 A |
| Max. running amps (total system) | 13.1 / 8.8 / 8.5 A | 18.0 / 13 / 13 A |
| Net weight | 153 kg | 153 kg |

Accessories:

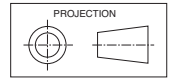
| | |
|--------------------------------------|-------------------------|
| Spring mounts | supplied |
| Water hoses 800mm long, rated 300psi | 1" female BSP, supplied |
| Replacement filter - rated EU2/G2 | 119-000-100 963x405x13 |
| Condensate lift-pump | 507-003-010 |

Optional:

| | |
|-------------------------------------|-------------|
| SAT-3 Room temperature controller | 201-000-146 |
| TZT-100 Room temperature controller | 201-000-350 |

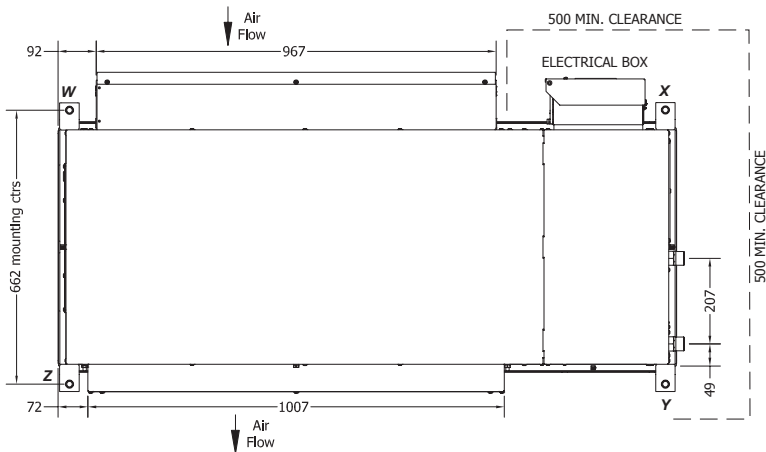
Refer to temperzone for other options, eg remote sensors

DIMENSIONS (mm)



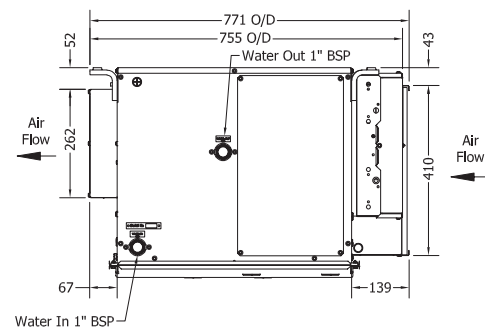
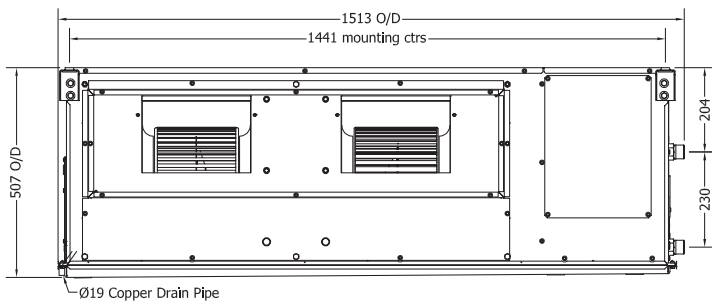
Not to Scale

HWP 172 CKT/CEKT Standard



| POINT LOADS (kg) | | | |
|------------------|----|----|----|
| W | X | Y | Z |
| 29 | 47 | 50 | 28 |

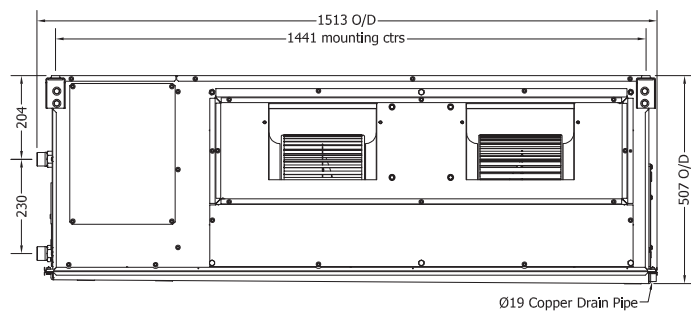
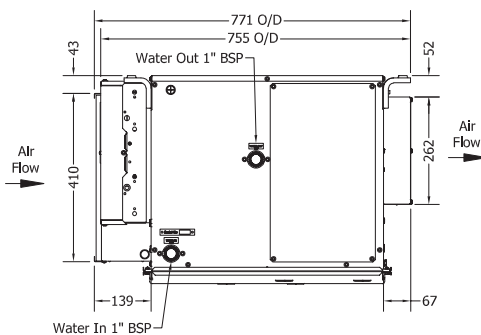
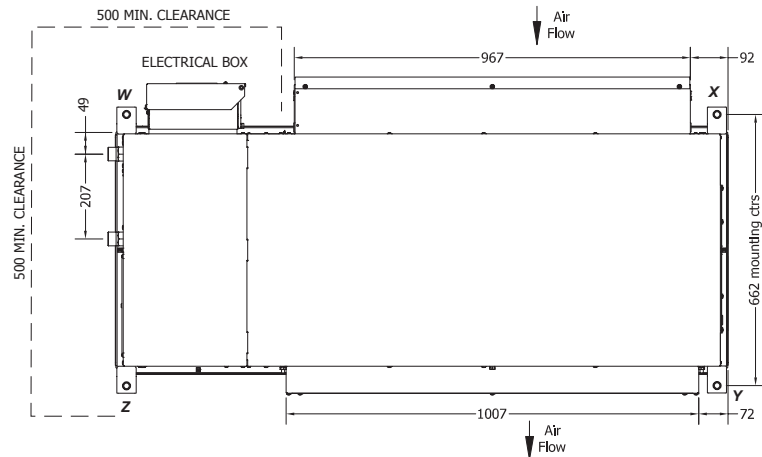
Note: Fan motor can be accessed from panel above, below or sides; no more than two panels at once.



HWP 172 CKT/CEKT Opposite Hand

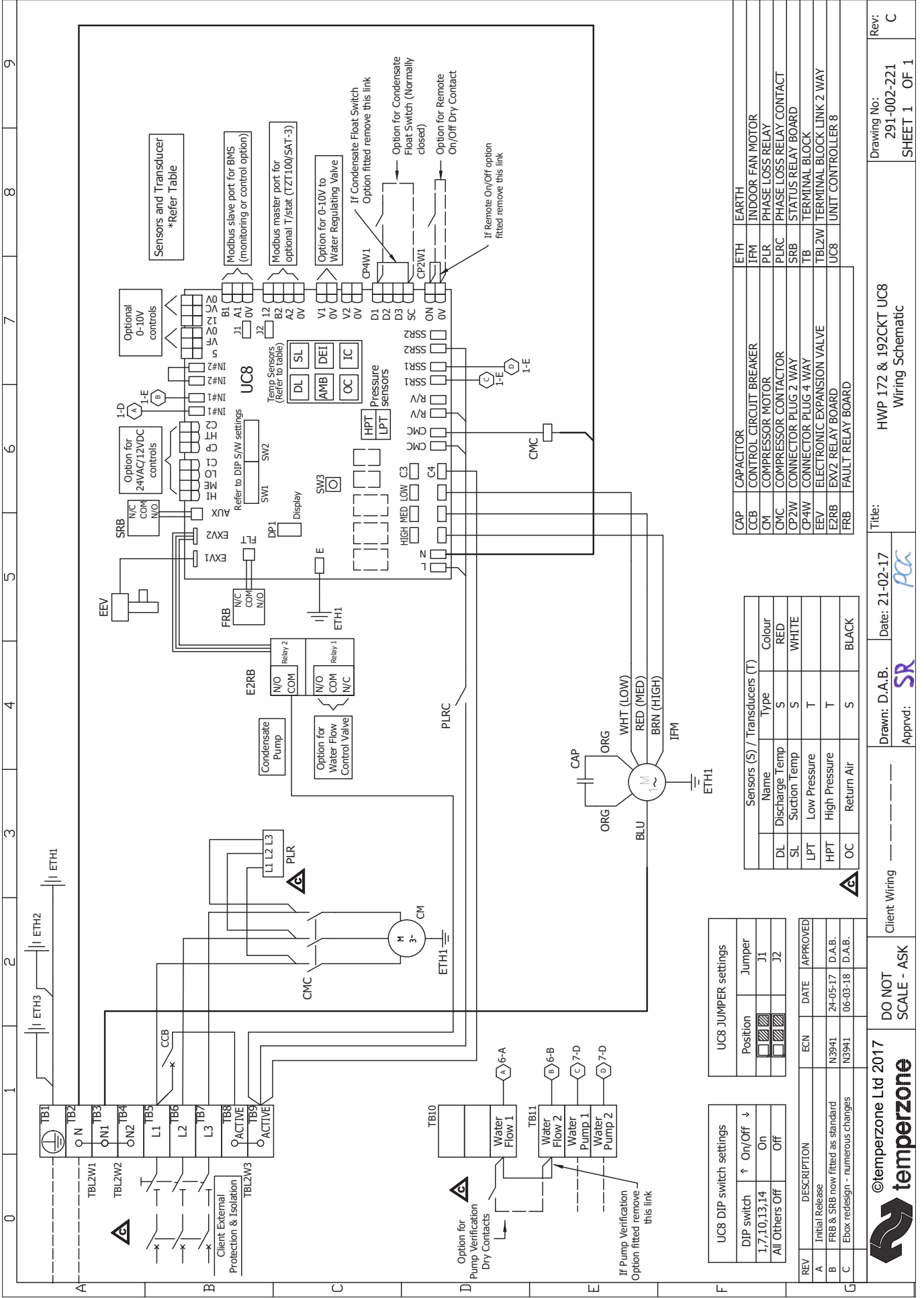
| POINT LOADS (kg) | | | |
|------------------|----|----|----|
| W | X | Y | Z |
| 47 | 28 | 29 | 50 |

Note: Fan motor can be accessed from panel above, below or sides; no more than two panels at once.



NOTE

Specifications are subject to change without notice due to the manufacturer's ongoing research and development programme.



| | | | |
|------|----------------------------|-------|---------------------------|
| CAP | CAPACITOR | ETH | EARTH |
| CCB | CONTROL CIRCUIT BREAKER | IFM | INDOOR FAN MOTOR |
| OM | COMPRESSOR MOTOR | PLR | PHASE LOSS RELAY |
| OMC | COMPRESSOR CONTACTOR | PLRC | PHASE LOSS RELAY CONTACT |
| CP2W | CONNECTOR PLUG 2 WAY | SRB | STATUS RELAY BOARD |
| CP4W | CONNECTOR PLUG 4 WAY | TB | TERMINAL BLOCK |
| EEV | ELECTRONIC EXPANSION VALVE | TBL2W | TERMINAL BLOCK LINK 2 WAY |
| E2RB | EX2 RELAY BOARD | UC8 | UNIT CONTROLLER 8 |
| FRB | FAULT RELAY BOARD | | |

| Sensors (S) / Transducers (T) | | |
|-------------------------------|----------------|--------|
| Name | Type | Colour |
| DL | Discharge Temp | RED |
| SL | Suction Temp | WHITE |
| LPT | Low Pressure | T |
| HPT | High Pressure | T |
| OC | Return Air | BLACK |

| Position | Jumper |
|--------------------------|--------|
| <input type="checkbox"/> | J1 |
| <input type="checkbox"/> | J2 |

| REV | DESCRIPTION | ECN | DATE | APPROVED |
|-----|----------------------------------|-------|----------|----------|
| A | Initial Release | | | |
| B | FRB & SRB now fitted as standard | N3941 | 24-05-17 | D.A.B. |
| C | Ebox redesign - numerous changes | N3941 | 06-03-18 | D.A.B. |

©temperzone Ltd 2017

Client Wiring

DO NOT SCALE - ASK

Drawn: D.A.B. Date: 21-02-17

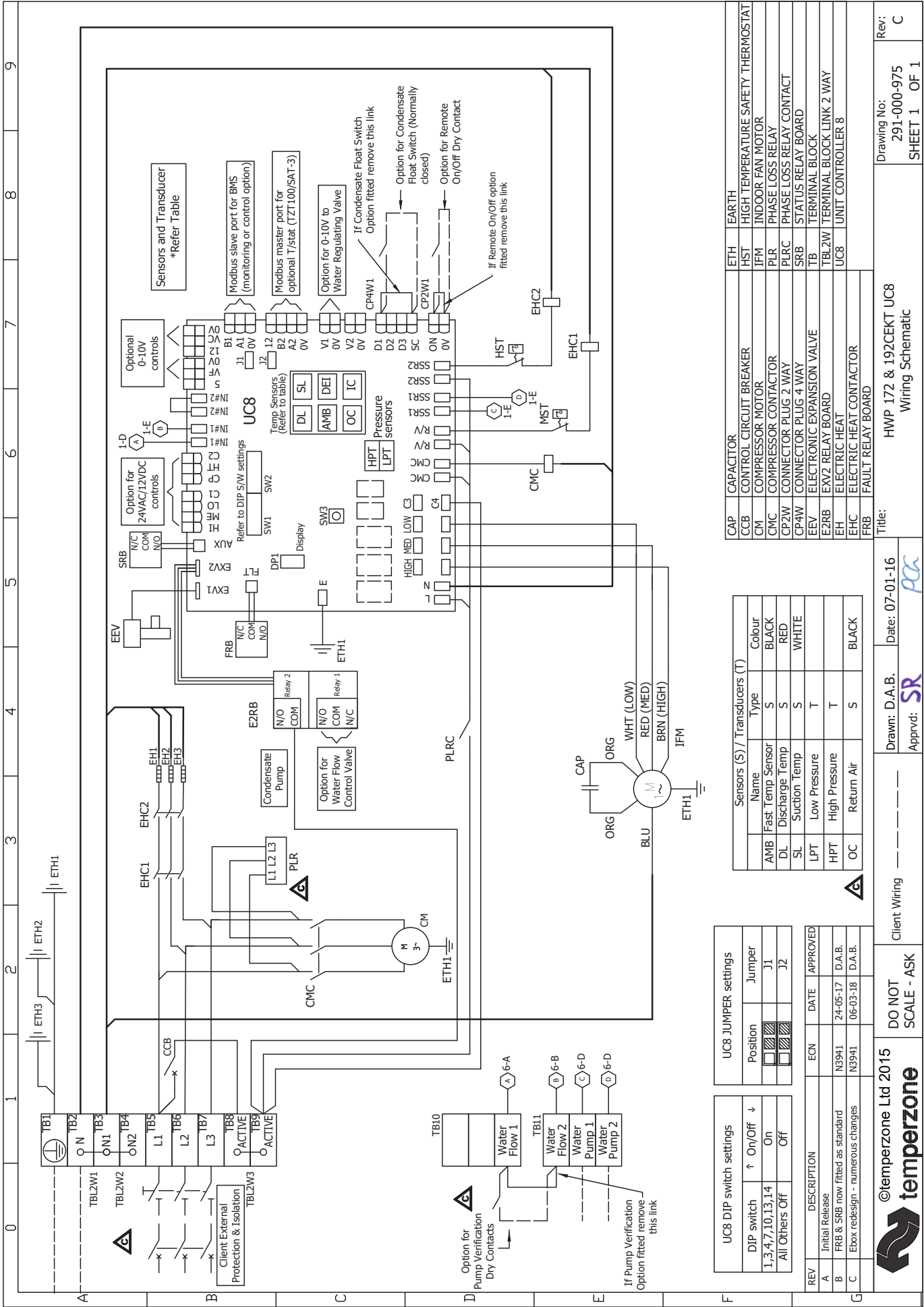
Approved: SR

Title: HWP 172 & 192CKT UC8 Wiring Schematic

Drawing No: 291-002-221

Rev: C

SHEET 1 OF 1



| REV | DESCRIPTION | ECN | DATE | APPROVED |
|-----|----------------------------------|-------|----------|----------|
| A | Initial Release | | | |
| B | FRB & SRB now fitted as standard | N3941 | 24-05-17 | D.A.B. |
| C | Ebox redesign - numerous changes | N3941 | 06-03-18 | D.A.B. |

| UC8 DIP switch settings | |
|-----------------------------|-----|
| DIP switch 1,3,4,7,10,13,14 | On |
| All Others | Off |

| UC8 JUMPER settings | |
|---------------------|--------|
| Position J1 | Jumper |
| Position J2 | Jumper |

| Sensors (S) / Transducers (T) | | | |
|-------------------------------|------------------|---|-------|
| AMB | Fast Temp Sensor | S | BLACK |
| DL | Discharge Temp | S | RED |
| SL | Suction Temp | S | WHITE |
| LPT | Low Pressure | T | |
| HPT | High Pressure | T | |
| OC | Return Air | S | BLACK |

©temperzone Ltd 2015

DO NOT SCALE - ASK

Client Wiring

Drawn: D.A.B. Date: 07-01-16
 Apprvd:

Title: HWP 172 & 192CEKT UC8 Wiring Schematic

Rev: 291-000-975 OF 1
 SHEET 1 C