

# SPECIFICATIONS



<b>Model</b>	<b>HWP 192RKT</b>
Item No. (Standard / Opposite Hand)	509-192-001 / 509-192-011
Cooling capacity (net) to AS/NZS 3823 T1	19.9 kW
Heating capacity H1	18.6 kW
Electrical input - cooling	4.8 kW
Electrical input - heating	4.5 kW
EER / AEER (cooling)	4.11 / 4.09
COP / ACOP (heating)	4.17 / 4.15
Unit Controller	UC8
Refrigerant	R410A
Refrigerant charge	2.7 kg
Compressor type	scroll
Water connections	1" male BSP
Nominal EWT on cooling	30°C
Nominal EWT on heating	21°C
Nominal Water Flow @ EWT – LWT = 5k	1.26 l/s
Entering system pressure drop @ nominal flow	34 kPa (5 psi)
Min. water temp. Heat cycle at nominal flow	10°C
Min. water temp. Cool cycle at nominal flow	15°C
Min. water temp. Cool cycle with water flow control valve	5°C
Max. EWT Heat cycle at nominal flow	30°C
Max. EWT Cool cycle at nominal flow	50°C
Min. water flow @ nominal EWT	0.35 l/s
Max. water pressure – excluding hoses	3200 kPa (464psi)
Power supply	3 ph. 400V ac 50Hz
Compressor run amps at rating cond.	7 A
Indoor fan motor size	750 W
Indoor fan motor (1ph.) - full load	6.0 A
Control circuit breaker (internal)	10 A
Running amps (total system)	12 / 7 / 7 A
Max. running amps (total system)	16 / 10.8 / 10.8 A
Net weight	177 kg

### Accessories:

Spring mounts	supplied
Water hoses 800mm long, rated 300psi	1" female BSP, supplied
Replacement filter EU2 rated	119-000-103 1163x405x13
Condensate lift-pump	507-003-010

### Optional:

SAT-3 Room temperature controller	201-000-146
TZT-100 Room temperature controller	201-000-350

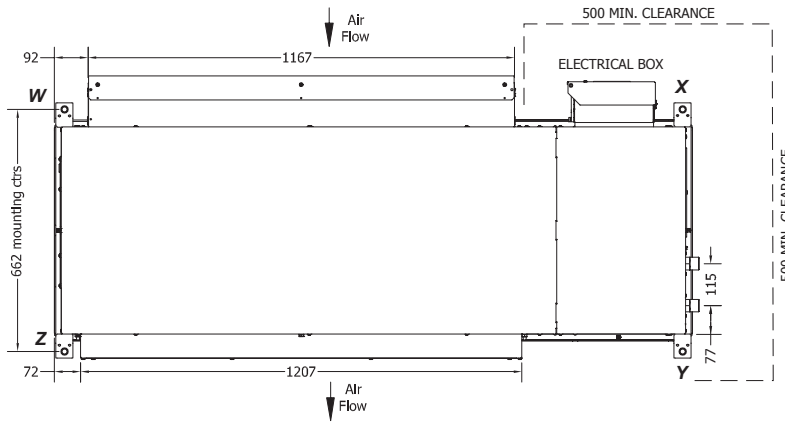
Refer to temperzone for other options, eg remote sensors

# DIMENSIONS (mm)



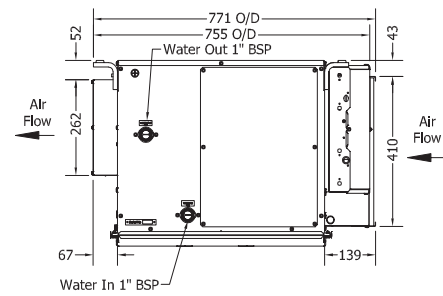
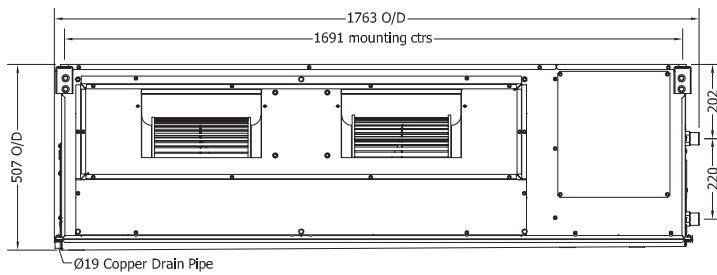
Not to Scale

## HWP 192RKT Standard



POINT LOADS (kg)			
W	X	Y	Z
45	53	59	20

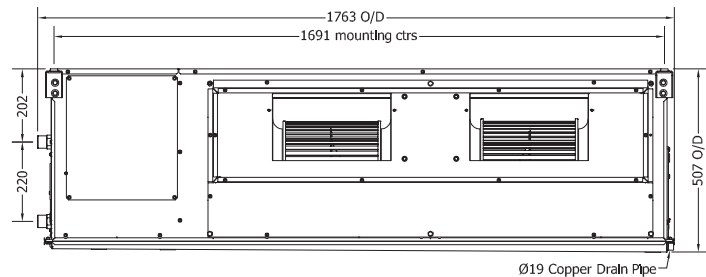
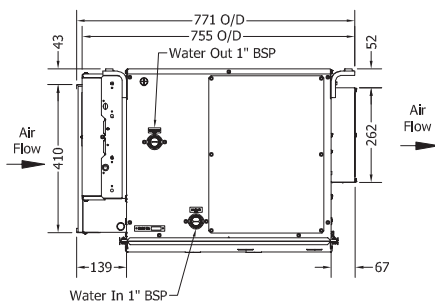
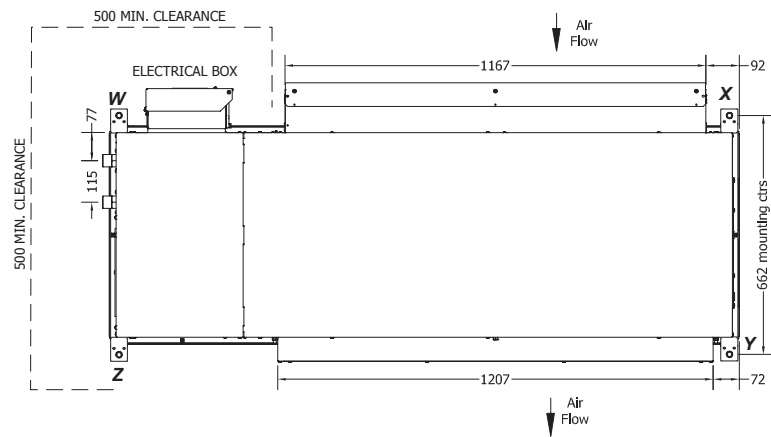
**Note:** Fan motor can be accessed from panel above, below or sides; no more than two panels at once.



## HWP 192RKT Opposite Hand

POINT LOADS (kg)			
W	X	Y	Z
59	45	20	53

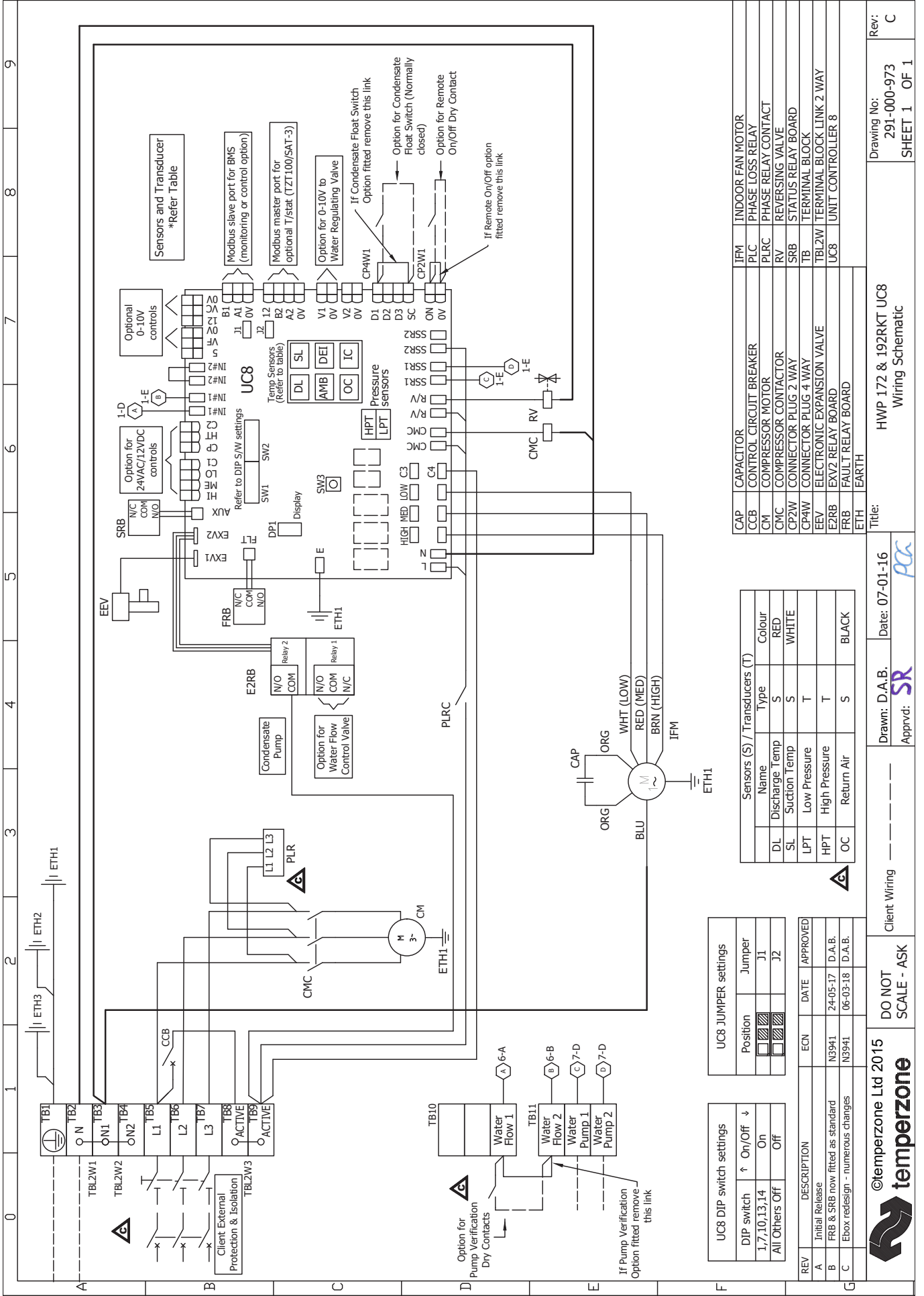
**Note:** Fan motor can be accessed from panel above, below or sides; no more than two panels at once.



### NOTE

Specifications are subject to change without notice due to the manufacturer's ongoing research and development programme.





IFM	INDOOR FAN MOTOR
PLC	PHASE LOSS RELAY
PLRC	PHASE RELAY CONTACT
RV	REVERSING VALVE
SRB	STATUS RELAY BOARD
TB	TERMINAL BLOCK
TBL2W	TERMINAL BLOCK LINK 2 WAY
UC8	UNIT CONTROLLER 8

CAP	CAPACITOR
CCB	CONTROL CIRCUIT BREAKER
CM	COMPRESSOR MOTOR
CMC	COMPRESSOR CONTACTOR
CP2W	CONNECTOR PLUG 2 WAY
CP4W	CONNECTOR PLUG 4 WAY
EEV	ELECTRONIC EXPANSION VALVE
E2RB	EXV2 RELAY BOARD
FRB	FAULT RELAY BOARD
ETH	EARTH

Sensors (S) / Transducers (T)	Name	Type	Colour
DL	Discharge Temp	S	RED
SL	Suction Temp	S	WHITE
LPT	Low Pressure	T	
HPT	High Pressure	T	
OC	Return Air	S	BLACK

UC8 DIP switch settings	
DIP switch	On/Off
1,7,10,13,14	On
All Others	Off

UC8 JUMPER settings	
Position	Jumper
J1	
J2	


**temperzone** Ltd 2015  
 Client Wiring  
 DO NOT SCALE - ASK  
 Drawn: D.A.B. Date: 07-01-16  
 Approved:   
 Title: HWP 172 & 192RKT UC8 Wiring Schematic  
 Drawing No: 291-000-973  
 Rev: C  
 SHEET 1 OF 1



# SPECIFICATIONS



Model	HWP 192CKT	HWP 192CEKT
Item No. - Standard	509-192-101	509-192-102
Item No. - Opposite Hand	509-192-111	509-192-112
Cooling capacity (net) to AS/NZS 3823 T1	19.9 kW	
Heating capacity - Electric heat	n/a	9.0 kW
Electrical input - cooling	4.8 kW	
Electrical input - heating	n/a	10.3 kW
EER / AEER (cooling)	4.11 / 4.09	
Unit Controller	UC8	
Refrigerant	R410A	
Refrigerant charge	2.7 kg	
Compressor type	scroll	
Water connections	1" male BSP	
Nominal EWT on cooling	30°C	
Nominal Water Flow @ EWT – LWT = 5k	1.26 l/s	
Entering system pressure drop @ nominal flow	34 kPa (5 psi)	
Min. water temp. Cool cycle at nominal flow	15°C	
Min. water temp. Cool cycle with water flow control valve	5°C	
Max. EWT Cool cycle at nominal flow	50°C	
Min. water flow @ nominal EWT	0.35 l/s	
Max. water pressure – excluding hoses	3200 kPa (464 psi)	
Power supply	3 ph. 400V ac 50Hz	
Compressor run amps at rating cond.	7 A	
Indoor fan motor size	750 W	
Indoor fan motor (1ph.) - full load	6 A	
Control circuit breaker (internal)	10 A	
Running amps (total system)	12 / 7 / 7 A	18.6 / 13 / 13 A
Max. running amps (total system)	16 / 10.8 / 10.8 A	19.0 / 13 / 13 A
Net weight	177 kg	177 kg

## Accessories:

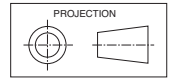
Spring mounts	supplied
Water hoses 800mm long, rated 300psi	1" female BSP, supplied
Replacement filter - rated EU2/G2	119-000-103 1163x405x13
Condensate lift-pump	507-003-010

## Optional:

SAT-3 Room temperature controller	201-000-146
TZT-100 Room temperature controller	201-000-350

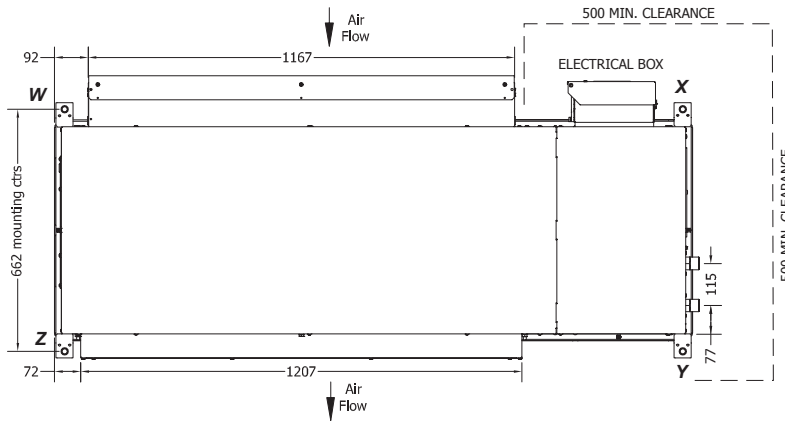
Refer to temperzone for other options, eg remote sensors

# DIMENSIONS (mm)



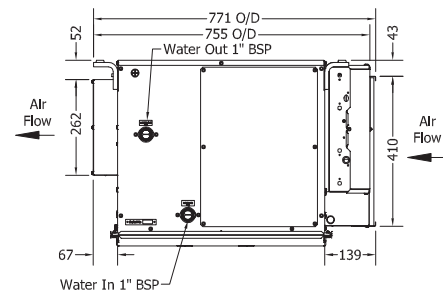
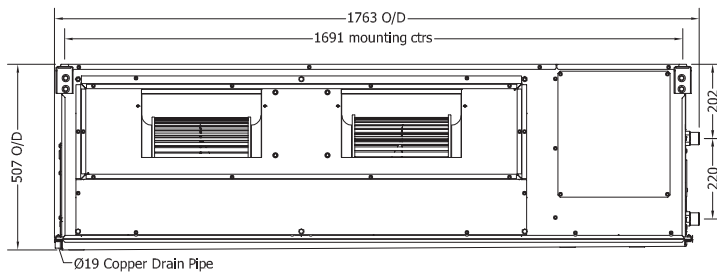
Not to Scale

## HWP 192 CKT/CEKT Standard



POINT LOADS (kg)			
W	X	Y	Z
45	53	59	20

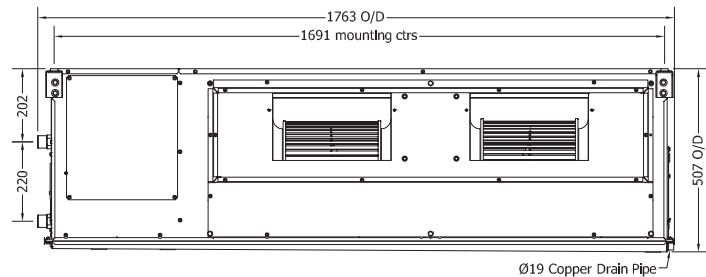
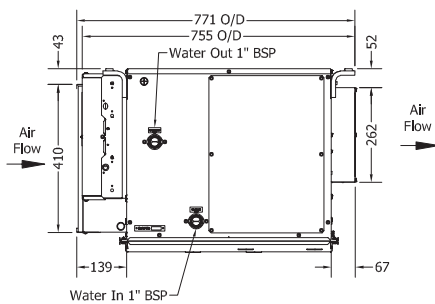
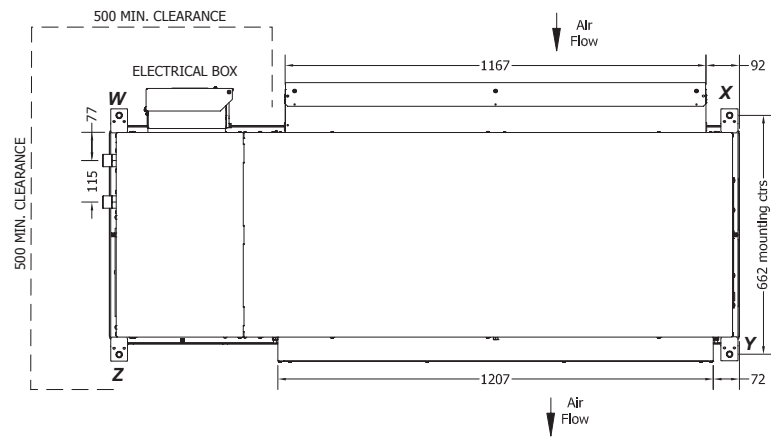
**Note:** Fan motor can be accessed from panel above, below or sides; no more than two panels at once.



## HWP 192 CKT/CEKT Opposite Hand

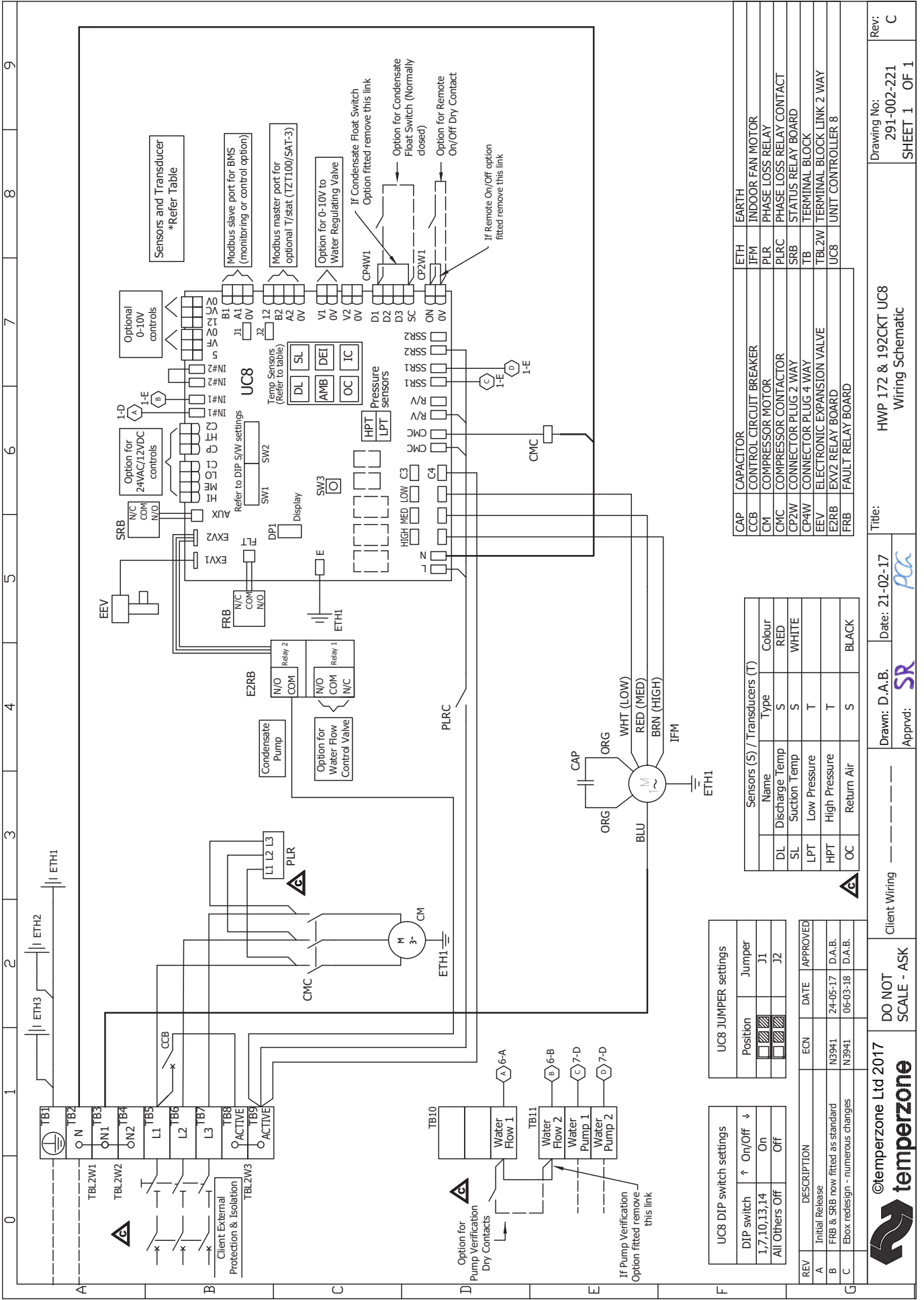
POINT LOADS (kg)			
W	X	Y	Z
59	45	20	53

**Note:** Fan motor can be accessed from panel above, below or sides; no more than two panels at once.



### NOTE

Specifications are subject to change without notice due to the manufacturer's ongoing research and development programme.



CAP	CAPACITOR	ETH	EARTH
CCB	CONTROL CIRCUIT BREAKER	IFM	INDOOR FAN MOTOR
CM	COMPRESSOR MOTOR	PLR	PHASE LOSS RELAY
CMC	COMPRESSOR CONTACTOR	PLRC	PHASE LOSS RELAY CONTACT
CP2W	CONNECTOR PLUG 2 WAY	SRB	STATUS RELAY BOARD
CP4W	CONNECTOR PLUG 4 WAY	TBL	TERMINAL BLOCK
EEV	ELECTRONIC EXPANSION VALVE	TBL2W	TERMINAL BLOCK LINK 2 WAY
E2RB	EXV2 RELAY BOARD	UC8	UNIT CONTROLLER 8
FRB	FAULT RELAY BOARD		

Sensors (S) / Transducers (T)			
Name	Type	Colour	
DL	Discharge Temp	S	RED
SL	Suction Temp	S	WHITE
LPT	Low Pressure	T	
HPT	High Pressure	T	
OC	Return Air	S	BLACK

DIP switch	On/Off
1,7,10,13,14	On
All Others	Off

Position	Jumper
J1	
J2	

REV	DESCRIPTION	ECN	DATE	APPROVED
A	Initial Release			
B	FRB & SRB now fitted as standard	N3941	24-05-17	D.A.B.
C	Ebox redesign - numerous changes	N3941	06-03-18	D.A.B.

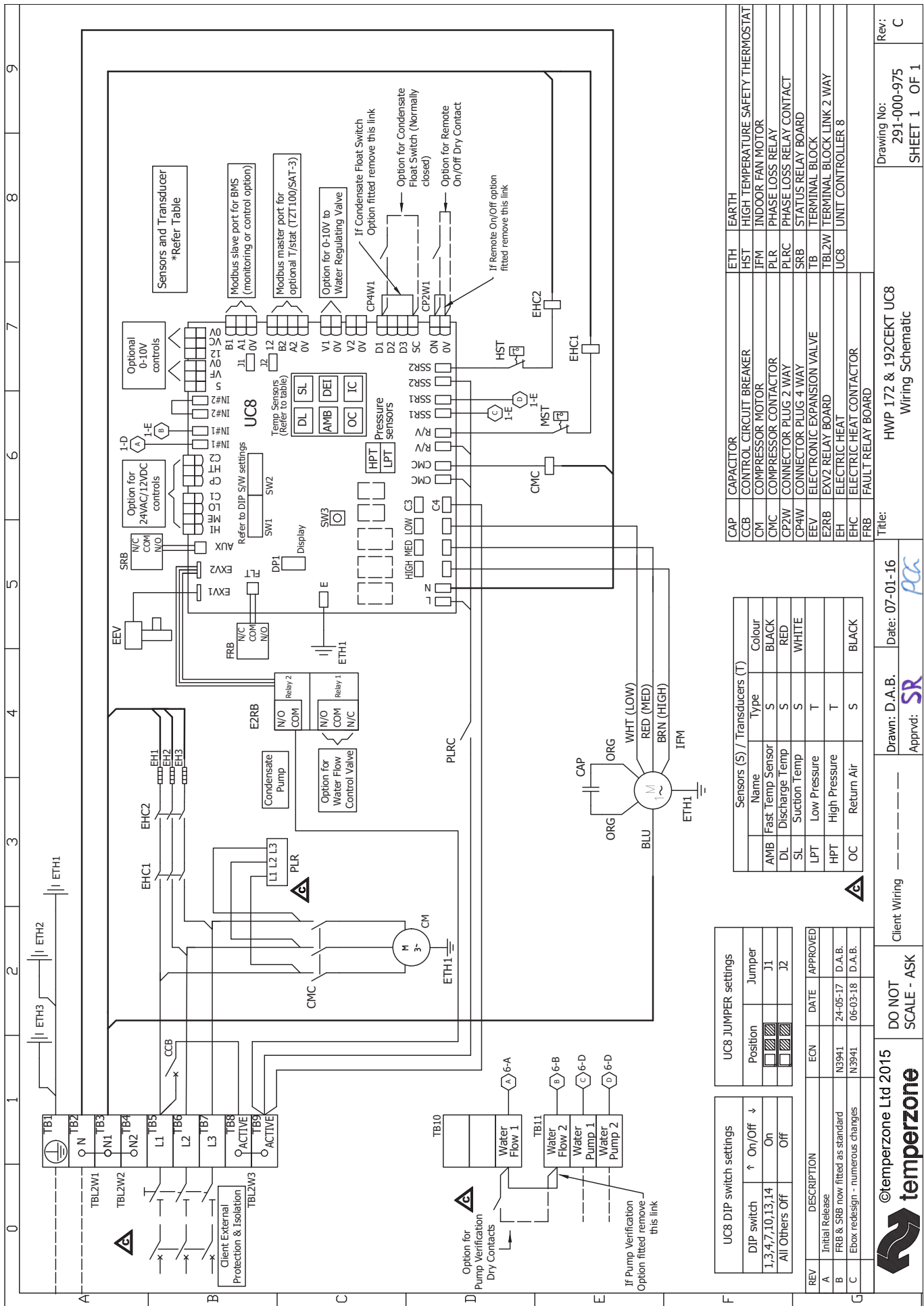
©temperzone Ltd 2017

DO NOT SCALE - ASK Client Wiring

Drawn: D.A.B. Date: 21-02-17  
 Apprvd:

Title: HWP 172 & 192CKT UC8 Wiring Schematic

Drawing No: 291-002-221  
 SHEET 1 OF 1  
 Rev: C



Terminal Label	Component Name
CAP	CAPACITOR
CCB	CONTROL CIRCUIT BREAKER
CM	COMPRESSOR MOTOR
CMC	COMPRESSOR CONTACTOR
CP2W	CONNECTOR PLUG 2 WAY
CP4W	CONNECTOR PLUG 4 WAY
EEV	ELECTRONIC EXPANSION VALVE
E2RB	EXC2 RELAY BOARD
EH	ELECTRIC HEAT
EHC	ELECTRIC HEAT CONTACTOR
FRB	FAULT RELAY BOARD
ETH	EARTH
HST	HIGH TEMPERATURE SAFETY THERMOSTAT
IFM	INDOOR FAN MOTOR
PLR	PHASE LOSS RELAY CONTACT
PLRC	PHASE LOSS RELAY BOARD
SRB	STATUS RELAY BOARD
TB	TERMINAL BLOCK
TBL2W	TERMINAL BLOCK LINK 2 WAY
UC8	UNIT CONTROLLER 8

Sensors (S) / Transducers (T)	Name	Type	Colour
AMB	Fast Temp Sensor	S	BLACK
DL	Discharge Temp	S	RED
SL	Suction Temp	S	WHITE
LPT	Low Pressure	T	
HPT	High Pressure	T	
OC	Return Air	S	BLACK

UC8 DIP switch settings		UC8 JUMPER settings	
DIP switch	On/Off	Position	Jumper
1,3,4,7,10,13,14	On	J1	
All Others	Off	J2	

REV	DESCRIPTION	ECN	DATE	APPROVED
A	Initial Release			
B	FRB & SRB now fitted as standard	N3941	24-05-17	D.A.B.
C	Ebox redesign - numerous changes	N3941	06-03-18	D.A.B.

©temperzone Ltd 2015

Client Wiring  
 DO NOT SCALE - ASK

Drawn: D.A.B.  
 Date: 07-01-16  
 Approved:

Title: HWP 172 & 192CEKT UC8  
 Wiring Schematic

Drawing No: 291-000-975  
 SHEET 1 OF 1  
 Rev: C