

Model	HWP 48RKS
Item No. (Standard/Opposite Hand)	509-048-001 / 509-048-011
Cooling capacity (net) to AS/NZS 3823 T1	4.3 kW
Heating capacity H1	4.6 kW
Electrical input - cooling	1.2 kW
Electrical input - heating	1.3 kW
EER / AEER (cooling)	3.64 / 3.62
COP / ACOP (heating)	3.66 / 3.64
Unit Controller	UC8
Refrigerant	R410A
Refrigerant charge	770 g
Compressor type	rotary
Water connections	1/2" male BSP
Nominal EWT/EAT on cooling	30°C / 27°C db, 19°C wb
Nominal EWT/EAT on heating	20°C / 20°C
Nominal Water Flow @ EWT – LWT = 5k	0.27 l/s
Entering system pressure drop @ nominal flow	27.6 kPa (4 psi)
Min. water temp. Heat cycle at nominal flow & EAT	10°C
Min. water temp. Cool cycle at nominal flow & EAT	15°C
Min. water temp. Cool cycle with water flow control valve	5°C
Max. EWT Heat cycle at nominal flow & EAT	30°C
Max. EWT Cool cycle at nominal flow & EAT	50°C
Min. water flow @ nominal EWT & EAT	0.07 l/s
Max. water pressure – excluding hoses	3200 kPa (464 psi)
Power supply	1 ph. 230V ac 50Hz
Compressor run amps at rating cond.	4.4 A
Compressor run capacitor	40 µfd
Indoor fan motor size	150 W
Indoor fan motor (1ph.) - full load	1.8 A
Control circuit breaker (internal)	10 A
Running amps (total system)	5.2 A
Max. running amps (total system)	7.7 A
Net weight	70 kg

Accessories:

Spring mounts	supplied
Water hoses 600mm long, rated 250psi	1/2" female BSP, supplied
Replacement filter	119-000-098 513x265x13
Condensate lift-pump	507-003-009

Optional:

SAT-3 Room temperature controller	201-000-146
TZT-100 Room temperature controller	201-000-350

Refer to temperzone for other options, eg remote sensors

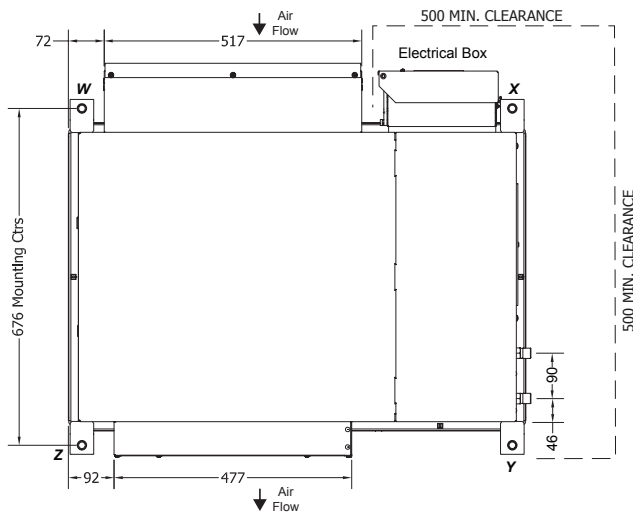
DIMENSIONS (mm)



Not to Scale

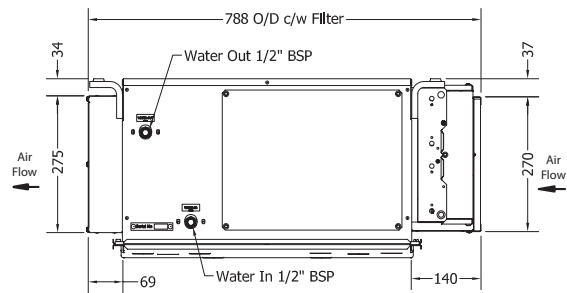
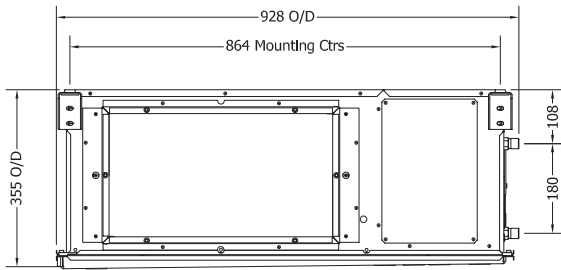
HWP 48RKS Standard

Right handed model shown here



POINT LOADS (kg)			
W	X	Y	Z
23	13	12	22

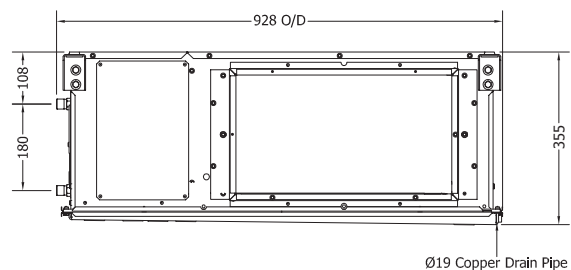
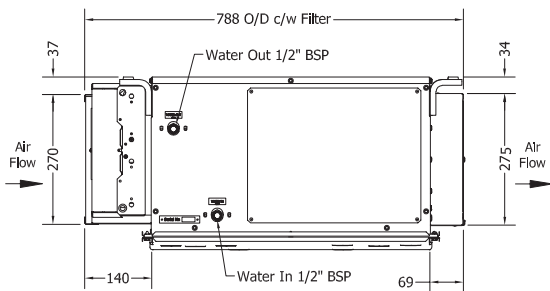
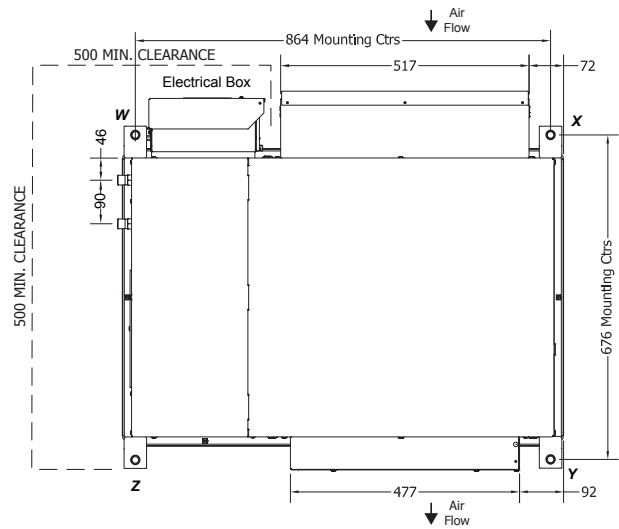
Note: Fan motor can be accessed from panel above, below or sides; no more than two panels at once.



HWP 48RKS Opposite Hand

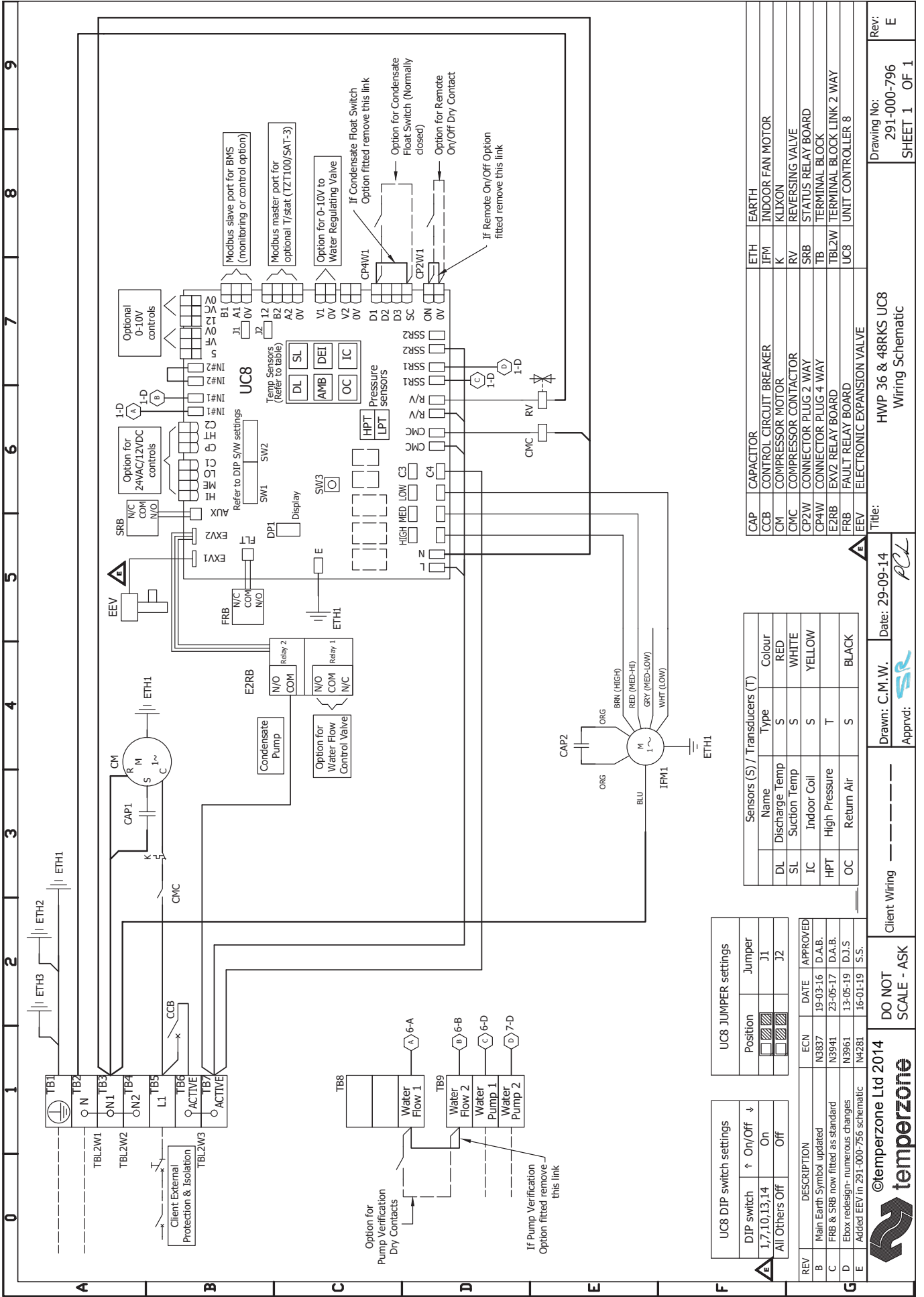
POINT LOADS (kg)			
W	X	Y	Z
23	12	13	22

Note: Fan motor can be accessed from panel above, below or sides; no more than two panels at once.



NOTE

Specifications are subject to change without notice due to the manufacturer's ongoing research and development programme.



UC8 DIP switch settings

DIP switch	On/Off
1,7,10,13,14	On
All Others	Off

UC8 JUMPER settings

Position	Jumper
<input type="checkbox"/>	J1
<input type="checkbox"/>	J2

Sensors (S) / Transducers (T)

Name	Type	Colour
DL Discharge Temp	S	RED
SL Suction Temp	S	WHITE
IC Indoor Coil	S	YELLOW
HPT High Pressure	T	
OC Return Air	S	BLACK

REV	DESCRIPTION	ECN	DATE	APPROVED
B	Main Earth Symbol updated	N3837	19-03-16	D.A.B.
C	FRB & SRB now fitted as standard	N3941	23-05-17	D.A.B.
D	Ebox redesign - numerous changes	N3961	13-05-19	D.J.S
E	Added EEV in 291-000-756 schematic	N4281	16-01-19	S.S.

©temperzone Ltd 2014
temperzone

Client Wiring -----
 DO NOT SCALE - ASK

Drawn: C.M.W. Date: 29-09-14
 Appr'd: *RCL*

Title: HWP 36 & 48RKS UC8
 Wiring Schematic

Drawing No: 291-000-796
 SHEET 1 OF 1
 Rev: E

SPECIFICATIONS



Model	HWP 48CKS	HWP 48CEKS
Item No. - Standard	509-048-101	509-048-102
Item No. - Opposite Hand	509-048-111	509-048-112
Cooling capacity (net) to AS/NZS 3823 T1	4.3 kW	
Heating capacity - Electric heat	n/a	2.0 kW
Electrical input - cooling	1.2 kW	
Electrical input - heating	n/a	2.1 kW
EER / AEER (cooling)	3.64 / 3.62	
Unit Controller	UC8	
Refrigerant	R410A	
Refrigerant charge	770 g	
Compressor type	rotary	
Water connections	1/2" male BSP	
Nominal EWT on cooling	30°C	
Nominal EAT on cooling	27°C db, 19°C wb	
Nominal Water Flow @ EWT – LWT = 5k	0.27 l/s	
Entering system pressure drop @ nominal flow	27.6 kPa (4 psi)	
Min. water temp. Cool cycle at nominal flow & EAT	15°C	
Min. water temp. Cool cycle with water flow control valve	5°C	
Max. EWT Cool cycle at nominal flow & EAT	50°C	
Min. water flow @ nominal EWT & EAT	0.07 l/s	
Max. water pressure – excluding hoses	3200 kPa (464 psi)	
Power supply	1 ph. 230V ac 50Hz	
Compressor run amps at rating cond.	4.4 A	
Compressor run capacitor	40 µfd	
Indoor fan motor size	150 W	
Indoor fan motor (1ph.) - full load	1.4 A	
Control circuit breaker (internal)	10 A	
Running amps (total system)	5.2 A	9.5 A
Max. running amps (total system)	7.7 A	10.1 A
Net weight	69 kg	75 kg

Accessories:

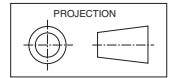
Spring mounts	supplied
Water hoses 600mm long, rated 250 psi	1/2" female BSP, supplied
Replacement filter - rated EU2/G2	119-000-098 513x265x13
Condensate lift-pump	507-003-009

Optional:

SAT-3 Room temperature controller	201-000-146
TZT-100 Room temperature controller	201-000-350

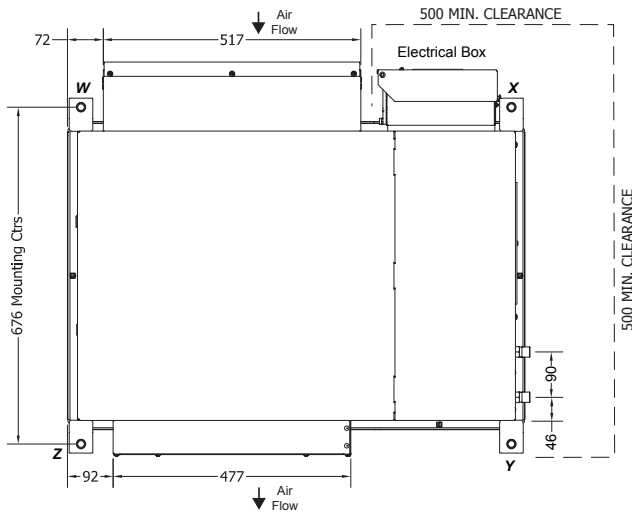
Refer to temperzone for other options, eg remote sensors

DIMENSIONS (mm)



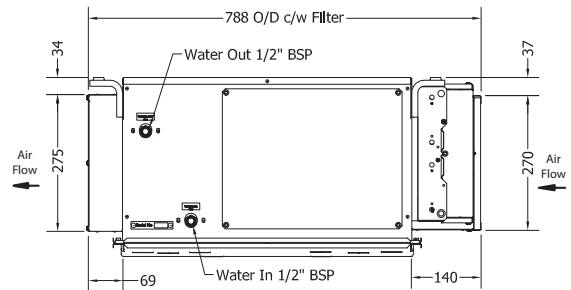
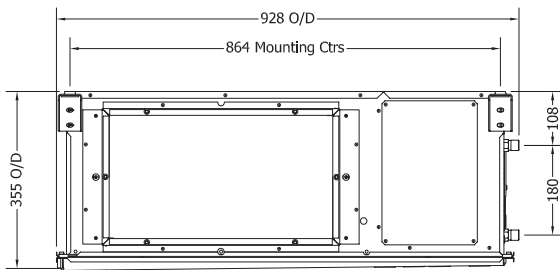
Not to Scale

HWP 48 CKS/CEKS Standard



POINT LOADS (kg)			
W	X	Y	Z
23	13	12	22

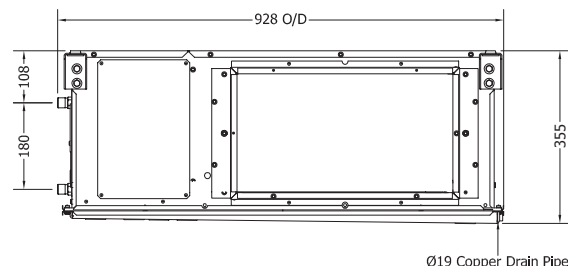
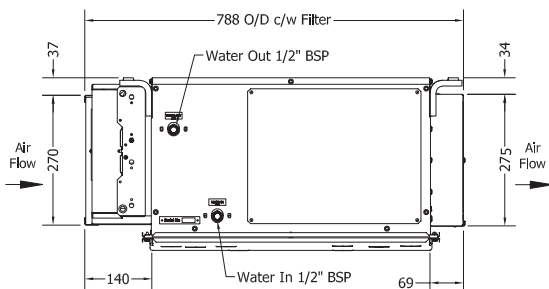
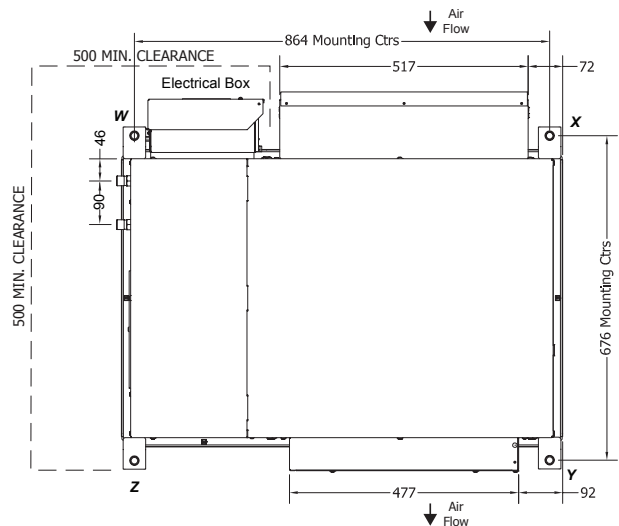
Note: Fan motor can be accessed from panel above, below or sides; no more than two panels at once.



HWP 48 CKS/CEKS Opposite Hand

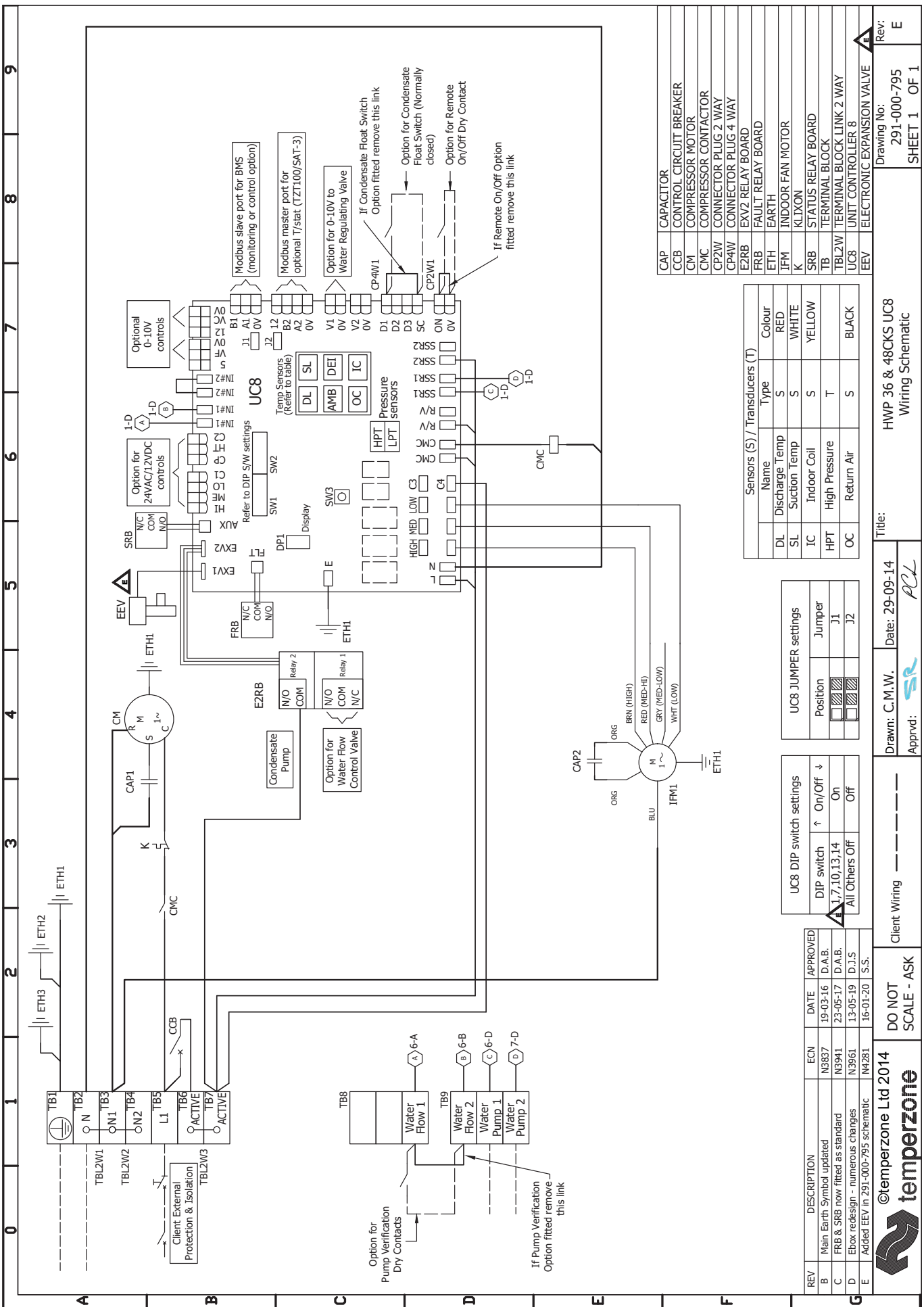
POINT LOADS (kg)			
W	X	Y	Z
23	12	13	22

Note: Fan motor can be accessed from panel above, below or sides; no more than two panels at once.



NOTE

Specifications are subject to change without notice due to the manufacturer's ongoing research and development programme.



CAP	CAPACITOR
CCB	CONTROL CIRCUIT BREAKER
CM	COMPRESSOR MOTOR
CMC	COMPRESSOR CONTACTOR
CP2W	CONNECTOR PLUG 2 WAY
CP4W	CONNECTOR PLUG 4 WAY
E2RB	EXV2 RELAY BOARD
FRB	FAULT RELAY BOARD
ETH	EARTH
IFM	INDOOR FAN MOTOR
K	KLIXON
SRB	STATUS RELAY BOARD
TB	TERMINAL BLOCK
TBL2W	TERMINAL BLOCK LINK 2 WAY
UC8	UNIT CONTROLLER 8
E2V	ELECTRONIC EXPANSION VALVE

Sensors (S) / Transducers (T)		
Name	Type	Colour
DL	Discharge Temp	S
SL	Suction Temp	S
IC	Indoor Coil	S
HPT	High Pressure	T
OC	Return Air	S

UC8 JUMPER settings	
Position	Jumper
<input type="checkbox"/>	J1
<input type="checkbox"/>	J2

UC8 DIP switch settings	
DIP switch	On/Off
1, 7, 10, 13, 14	On
All Others	Off

REV	DESCRIPTION	ECN	DATE	APPROVED
B	Main Earth Symbol updated	N3837	19-03-16	D.A.B.
C	FRB & SRB now fitted as standard	N3941	23-05-17	D.A.B.
D	Ebox redesign - numerous changes	N3961	13-05-19	D.J.S
E	Added EEV in 291-000-795 schematic	N4281	16-01-20	S.S.

©temperzone Ltd 2014

temperzone

Client Wiring

DO NOT SCALE - ASK

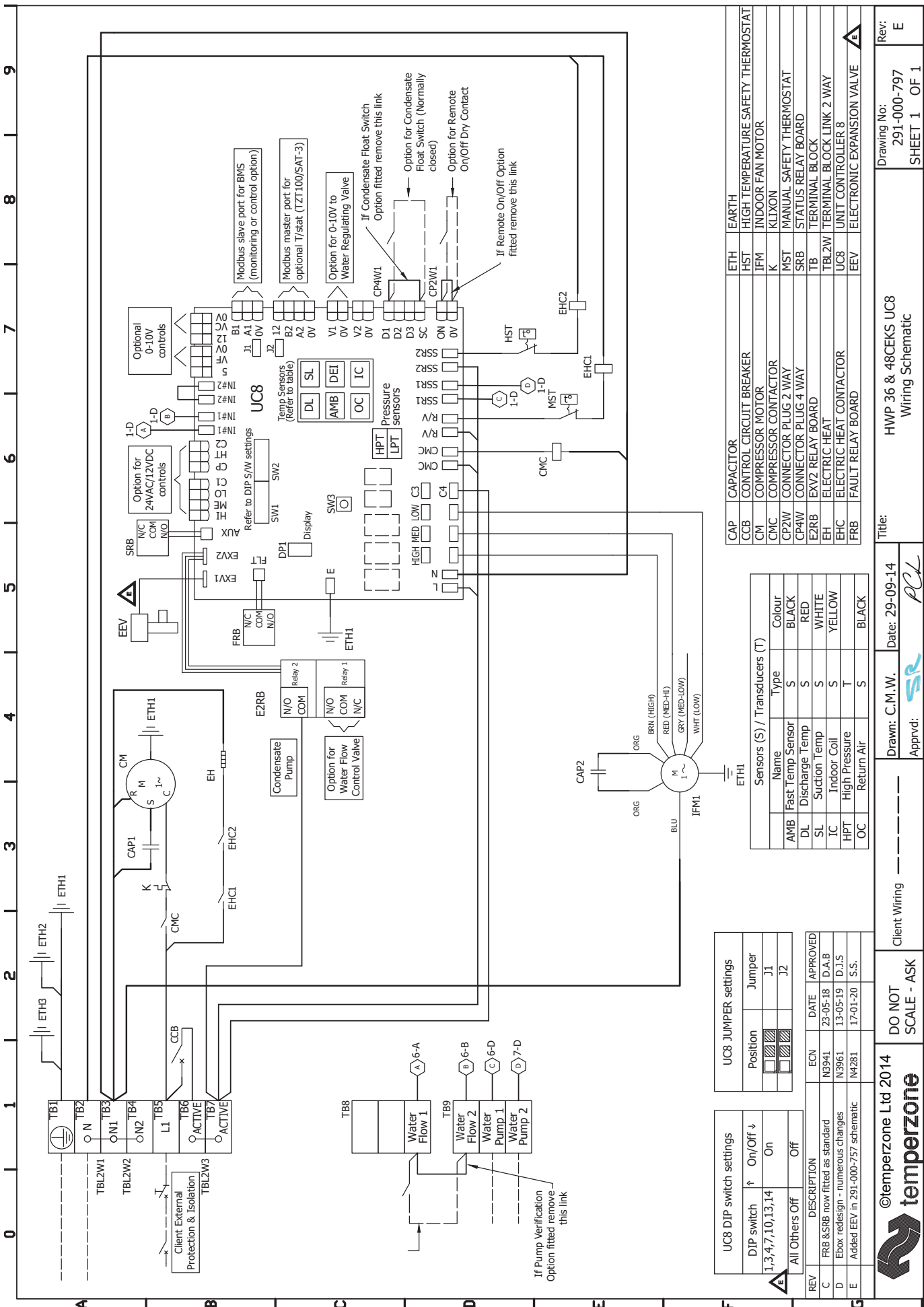
Drawn: C.M.W. Date: 29-09-14

Approved: *ACL*

Title: HWP 36 & 48CK5 UC8 Wiring Schematic

Drawing No: 291-000-795 SHEET 1 OF 1

Rev: E



CAP	CAPACITOR	EARTH
CCB	CONTROL CIRCUIT BREAKER	HST HIGH TEMPERATURE SAFETY THERMOSTAT
CM	COMPRESSOR MOTOR	IFM INDOOR FAN MOTOR
CMC	COMPRESSOR CONTACTOR	K KLIXON
CP2W	CONNECTOR PLUG 2 WAY	MST MANUAL SAFETY THERMOSTAT
CP4W	CONNECTOR PLUG 4 WAY	SRB STATUS RELAY BOARD
E2RB	EXV2 RELAY BOARD	TB TERMINAL BLOCK
EHC	ELECTRIC HEAT CONTACTOR	TBL2W TERMINAL BLOCK LINK 2 WAY
FRB	FAULT RELAY BOARD	UC8 UNIT CONTROLLER 8
		EEV ELECTRONIC EXPANSION VALVE

Sensors (S) / Transducers (T)		
Name	Type	Colour
AMB	Fast Temp Sensor	BLACK
DL	Discharge Temp	RED
SL	Suction Temp	WHITE
IC	Indoor Coil	YELLOW
HPT	High Pressure	T
OC	Return Air	BLACK

UC8 DIP switch settings	
Position	Jumper
1,3,4,7,10,13,14	J1
All Others Off	J2

UC8 JUMPER settings	
Position	Jumper
1,3,4,7,10,13,14	On
All Others Off	Off

REV	DESCRIPTION	ECN	DATE	APPROVED
C	FRB & SRB now fitted as standard	N3941	23-05-18	D.A.B
D	Ebox redesign - numerous changes	N3961	13-05-19	D.J.S
E	Added EEV in 291-000-757 schematic	N4281	17-01-20	S.S.

temperzone Client Wiring Title: HWP 36 & 48CEKS UC8 Wiring Schematic

DO NOT SCALE - ASK Drawing No: 291-000-797

©temperzone Ltd 2014 Rev: E

Approved: *PKL* SHEET 1 OF 1

Date: 29-09-14