

SPECIFICATIONS



Model	HWP 79RKS
Item No. (Standard/Opposite Hand)	509-079-001 / 509-079-011
Cooling capacity (net) to AS/NZS 3823 T1	7.9 kW
Heating capacity H1	8.9 kW
Electrical input - cooling	2.1 kW
Electrical input - heating	2.1 kW
EER / AEER (cooling)	3.71 / 3.70
Unit Controller	UC8
Refrigerant	R410A
Refrigerant charge	1.6 kg
Compressor type	rotary
Water connections	3/4" male BSP
Nominal EWT on cooling	30°C
Nominal EWT on heating	21°C
Nominal Water Flow @ EWT – LWT = 5k	0.5 l/s
Entering system pressure drop @ nominal flow	70 kPa (10 psi)
Min. water temp. Heat cycle at nominal flow	10°C
Min. water temp. Cool cycle at nominal flow	15°C
Min. water temp. Cool cycle with water flow control valve	5°C
Max. EWT Heat cycle at nominal flow	30°C
Max. EWT Cool cycle at nominal flow	50°C
Min. water flow @ nominal EWT	0.14 l/s
Max. water pressure – excluding hoses	3200 kPa (464 psi)
Power supply	1 ph. 230V ac 50Hz
Compressor run amps at rating cond.	7.7 A
Compressor run capacitor	55 μ fd
Indoor fan motor size	230 W
Indoor fan motor (1ph.) - full load	1.8 A
Control circuit breaker (internal)	10 A
Running amps (total system)	9.1 A
Max. running amps (total system)	13.1 A
Net weight	102 kg

Accessories:

Spring mounts	supplied
Water hoses 600mm long, rated 250psi	3/4" female BSP, supplied
Replacement filter	119-000-084 693x328x13
Condensate lift-pump	507-003-010

Optional:

SAT-3 Room temperature controller	201-000-146
TZT-100 Room temperature controller	201-000-350

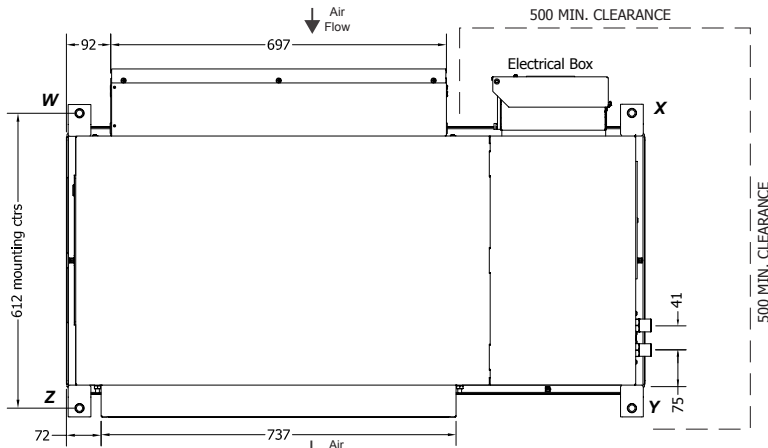
Refer to temperzone for other options, eg remote sensors

DIMENSIONS (mm)



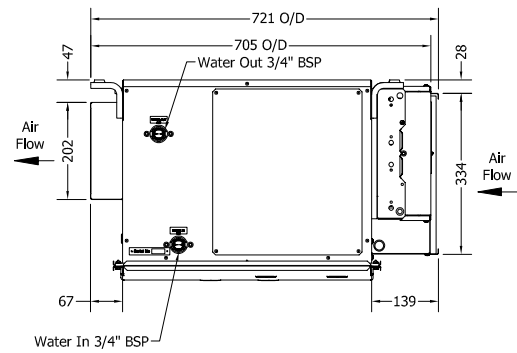
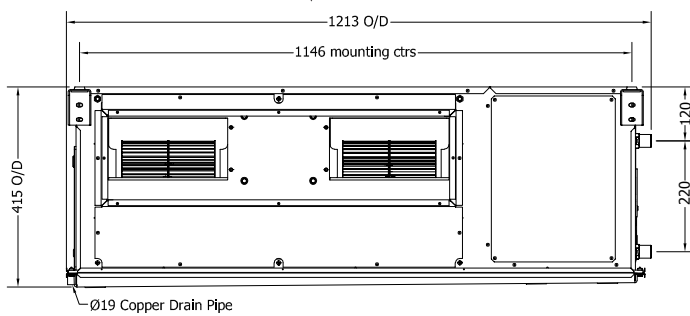
Not to Scale

HWP 79RKS Standard



POINT LOADS (kg)			
W	X	Y	Z
19	38	27	18

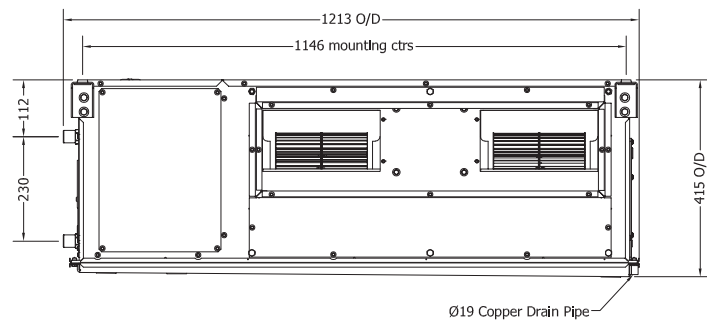
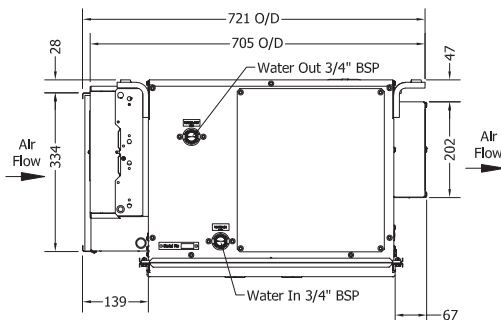
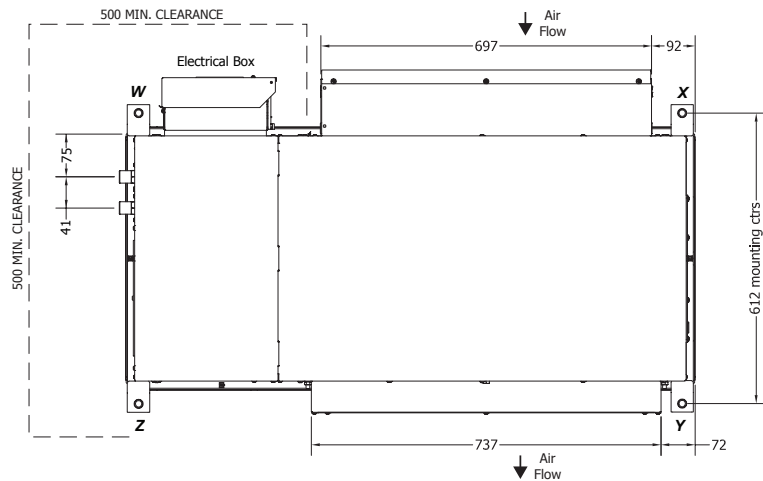
Note: Fan motor can be accessed from panel above, below or sides; no more than two panels at once.



HWP 79RKS Opposite Hand

POINT LOADS (kg)			
W	X	Y	Z
18	38	27	19

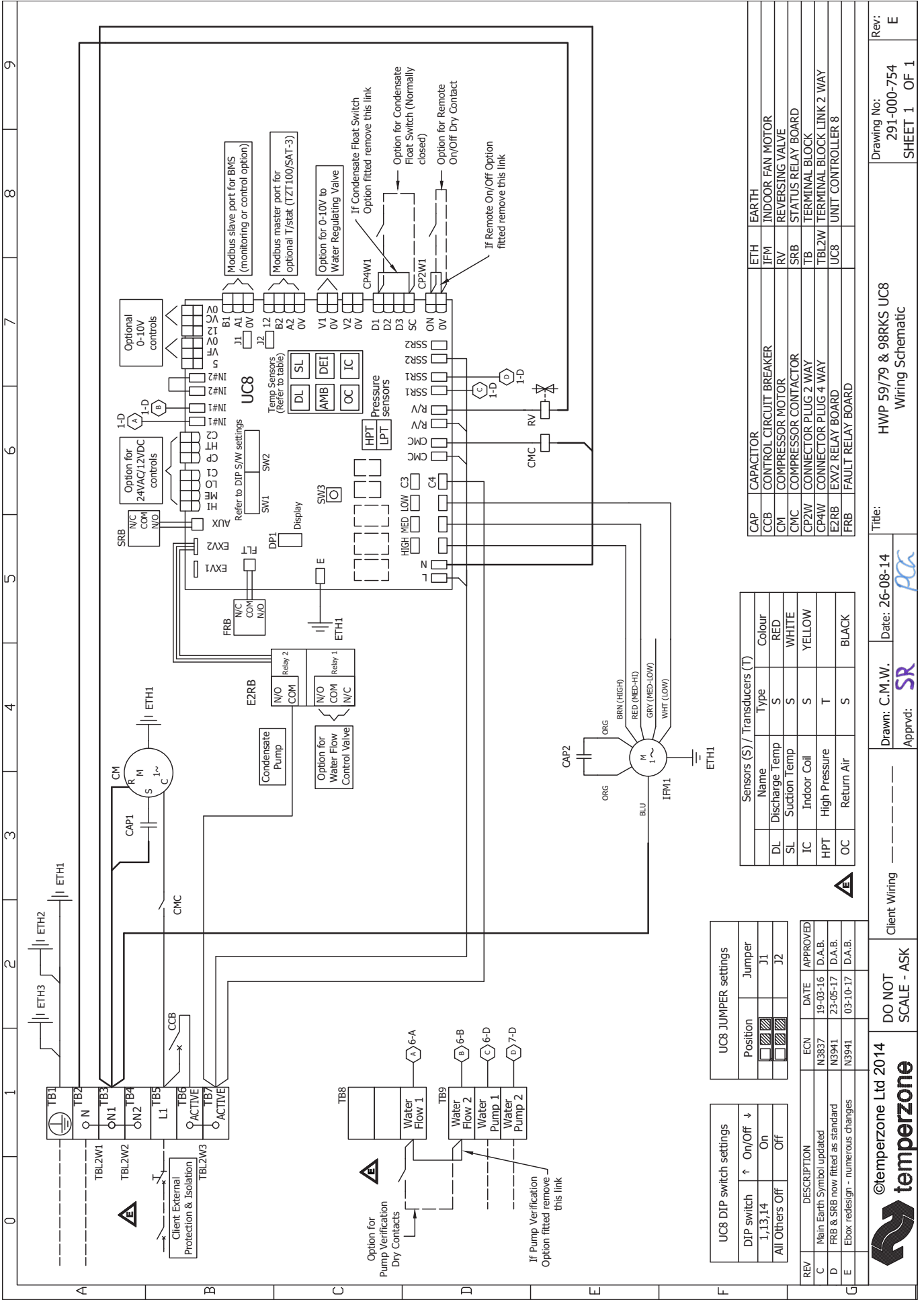
Note: Fan motor can be accessed from panel above, below or sides; no more than two panels at once.



NOTE

Specifications are subject to change without notice due to the manufacturer's ongoing research and development programme.





UC8 DIP switch settings

DIP switch	↑ On/Off ↓
1, 13, 14	On
All Others	Off

UC8 JUMPER settings

Position	Jumper
1	J1
2	J2

REV	DESCRIPTION	ECN	DATE	APPROVED
C	Main Earth Symbol updated	N3837	19-03-16	D.A.B.
D	FRB & SRB now fitted as standard	N3941	23-05-17	D.A.B.
E	Ebox redesign - numerous changes	N3941	03-10-17	D.A.B.

Sensors (S) / Transducers (T)

Name	Type	Colour
DL	Discharge Temp	RED
SL	Suction Temp	WHITE
IC	Indoor Coil	YELLOW
HPT	High Pressure	T
OC	Return Air	BLACK

CAP	CAPACITOR	ETH	EARTH
CCB	CONTROL CIRCUIT BREAKER	IFM	INDOOR FAN MOTOR
CM	COMPRESSOR MOTOR	RV	REVERSING VALVE
CMC	COMPRESSOR CONTACTOR	SRB	STATUS RELAY BOARD
CP2W	CONNECTOR PLUG 2 WAY	TB	TERMINAL BLOCK
CP4W	CONNECTOR PLUG 4 WAY	TBL2W	TERMINAL BLOCK LINK 2 WAY
E2RB	EXV2 RELAY BOARD	UC8	UNIT CONTROLLER 8
FRB	FAULT RELAY BOARD		

©temperzone Ltd 2014

temperzone

DO NOT SCALE - ASK

Client Wiring

Drawn: C.M.W. Date: 26-08-14

Approved: **SR**

Title: HWP 59/79 & 98RKS UC8 Wiring Schematic

Drawing No: 291-000-754

Rev: E

SHEET 1 OF 1

SPECIFICATIONS



Model	HWP 79CKS	HWP 79CEKS
Item No. – Standard	509-079-101	509-079-102
Item No. – Opposite Hand	509-079-111	509-079-112
Cooling capacity (net) to AS/NZS 3823 T1	7.9 kW	
Heating capacity - Electric heat	n/a	4.0 kW
Electrical input - cooling	2.1 kW	
Electrical input - heating	n/a	4.3 kW
EER / AEER (cooling)	3.71 / 3.70	
Unit Controller	UC8	
Refrigerant	R410A	
Refrigerant charge	1.35 kg	
Compressor type	scroll	
Water connections	3/4" male BSP	
Nominal EWT on cooling	30°C	
Nominal Water Flow @ EWT – LWT = 5k	0.5 l/s	
Entering system pressure drop @ nominal flow	70 kPa (10 psi)	
Min. water temp. Cool cycle at nominal flow	15°C	
Min. water temp. Cool cycle with water flow control valve	5°C	
Max. EWT Cool cycle at nominal flow	50°C	
Min. water flow @ nominal EWT	0.14 l/s	
Max. water pressure – excluding hoses	3200 kPa (464 psi)	
Power supply	1 ph. 230V ac 50Hz	
Compressor run amps at rating cond.	7.7 A	
Compressor run capacitor	55 μ fd	
Indoor fan motor size	230 W	
Indoor fan motor (1ph.) - full load	2 A	
Control circuit breaker (internal)	10 A	
Running amps (total system)	9.1 A	18.8 A
Max. running amps (total system)	13.3 A	19.4 A
Net weight	102 kg	104 kg

Accessories:

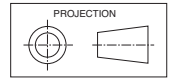
Spring mounts	supplied
Water hoses 600mm long, rated 250psi	3/4" female BSP, supplied
Replacement filter - rated EU2/G2	119-000-084 693x328x13
Condensate lift-pump	507-003-010

Optional:

SAT-3 Room temperature controller	201-000-146
TZT-100 Room temperature controller	201-000-350

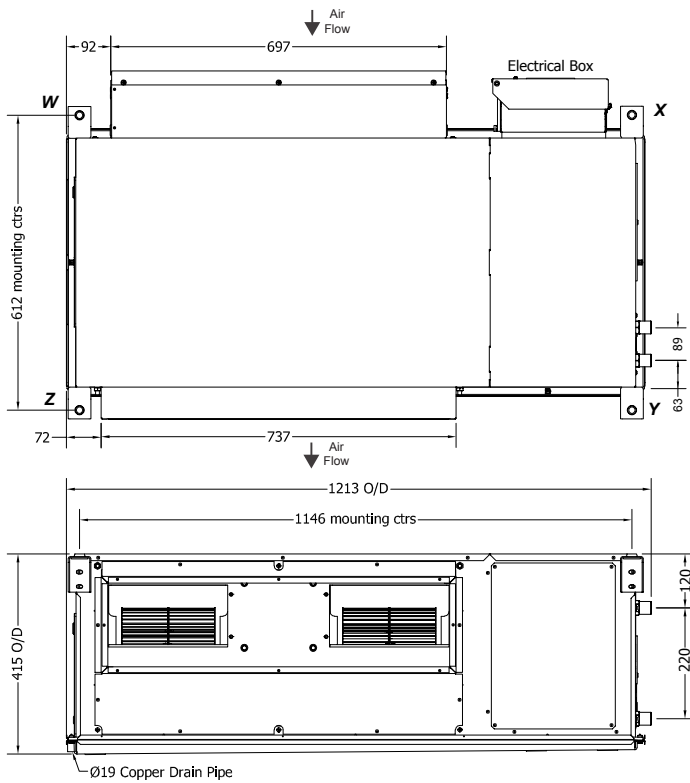
Refer to temperzone for other options, eg remote sensors

DIMENSIONS (mm)



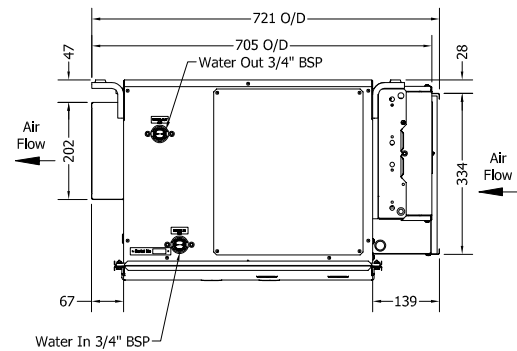
Not to Scale

HWP 79 CKS/CEKS Standard



POINT LOADS (kg)			
W	X	Y	Z
19	38	27	18

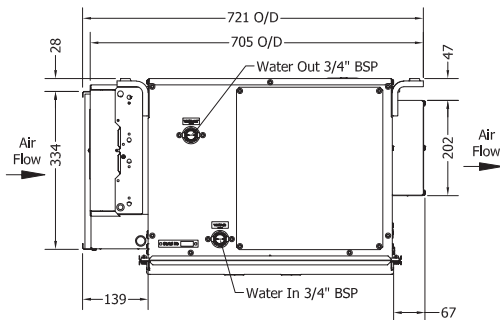
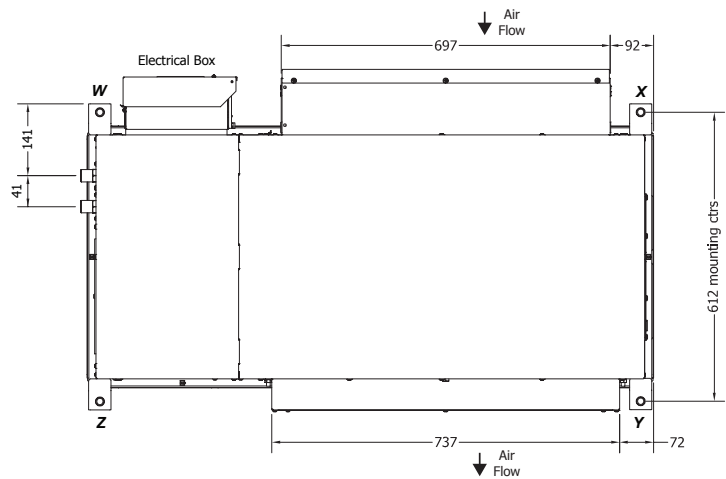
Note: Fan motor can be accessed from panel above, below or sides; no more than two panels at once.



HWP 79 CKS/CEKS Opposite Hand

POINT LOADS (kg)			
W	X	Y	Z
18	38	27	19

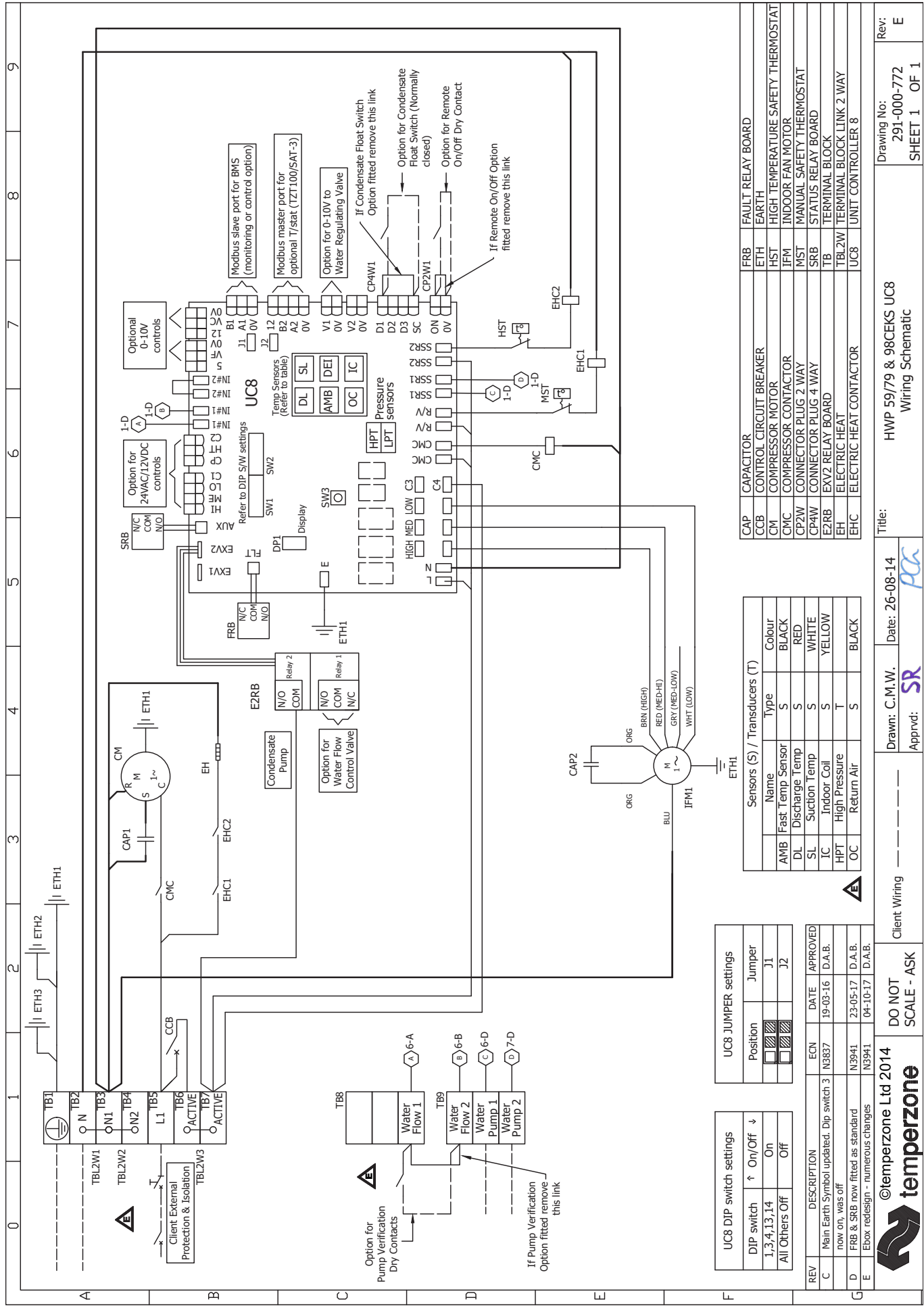
Note: Fan motor can be accessed from panel above, below or sides; no more than two panels at once.



NOTE

Specifications are subject to change without notice due to the manufacturer's ongoing research and development programme.





CAP	CAPACITOR	FRB	FAULT RELAY BOARD
CCB	CONTROL CIRCUIT BREAKER	ETH	EARTH
CM	COMPRESSOR MOTOR	HST	HIGH TEMPERATURE SAFETY THERMOSTAT
CMC	COMPRESSOR CONTACTOR	IFM	INDOOR FAN MOTOR
CP2W	CONNECTOR PLUG 2 WAY	MST	MANUAL SAFETY THERMOSTAT
CP4W	CONNECTOR PLUG 4 WAY	SRB	STATUS RELAY BOARD
E2RB	EXV2 RELAY BOARD	TB	TERMINAL BLOCK
EH	ELECTRIC HEAT	TBL2W	TERMINAL BLOCK LINK 2 WAY
EHC	ELECTRIC HEAT CONTACTOR	UC8	UNIT CONTROLLER 8

Sensors (S) / Transducers (T)		
Name	Type	Colour
AMB	Fast. Temp Sensor	BLACK
DL	Discharge Temp	RED
SL	Suction Temp	WHITE
IC	Indoor Coil	YELLOW
HPT	High Pressure	T
OC	Return Air	BLACK

UC8 DIP switch settings	
DIP switch	On/Off
1,3,4,13,14	On
All Others	Off

UC8 JUMPER settings	
Position	Jumper
J1	APPROVED
J2	D.A.B.

REV	DESCRIPTION	ECN	DATE
C	Main Earth Symbol updated, Dip switch 3 now on, was off	N3887	19-03-16 D.A.B.
D	FRB & SRB now fitted as standard	N3941	23-05-17 D.A.B.
E	Ebox redesign - numerous changes	N3941	04-10-17 D.A.B.

Drawing No: **291-000-772** Rev: **E**
 SHEET 1 OF 1
 Title: **HWP 59/79 & 98CEKS UC8**
 Wiring Schematic
 Drawn: **C.M.W.** Date: **26-08-14**
 Approved: **SR**
 Client Wiring: _____
 DO NOT SCALE - ASK
 ©temperzone Ltd 2014