

SPECIFICATIONS



Model	HWP 118RKT
Item No. (Standard/Opposite Hand)	509-118-001 / 509-118-011
Cooling capacity (net) to AS/NZS 3823 T1	11.9 kW
Heating capacity H1	11.6 kW
Electrical input - cooling	3.1 kW
Electrical input - heating	3.1 kW
EER / AEER (cooling)	3.84 / 3.83
COP / ACOP (heating)	3.80 / 3.79
Unit Controller	UC8
Refrigerant	R410A
Refrigerant charge	2.0 kg
Compressor type	rotary
Water connections	3/4" male BSP
Nominal EWT/EAT on cooling	30°C / 27°C db, 19°C wb
Nominal EWT/EAT on heating	20°C / 20°C
Nominal Water Flow @ EWT – LWT = 5k	0.75 l/s
Entering system pressure drop @ nominal flow & EAT	55 kPa (8 psi)
Min. water temp. Heat cycle at nominal flow & EAT	10°C
Min. water temp. Cool cycle at nominal flow & EAT	15°C
Min. water temp. Cool cycle with water flow control valve	5°C
Max. EWT Heat cycle at nominal flow & EAT	30°C
Max. EWT Cool cycle at nominal flow & EAT	50°C
Min. water flow @ nominal EWT	0.21 l/s
Max. water pressure – excluding hoses	3200 kPa (464psi)
Power supply	3 ph. 400V ac 50Hz
Compressor run amps at rating cond.	4.2 A
Indoor fan motor size	375 W
Indoor fan motor (1ph.) - full load	3 A
Control circuit breaker (internal)	10 A
Running amps (total system)	6.0 / 3.6 / 4.0 A
Max. running amps (total system)	8.9 / 6.3 / 6.3 A
Net weight	117 kg

Accessories:

Spring mounts	supplied
Water hoses 600mm long, rated 250psi	3/4" female BSP, supplied
Replacement filter - rated EU2/G2	119-000-097 763x326x13
Condensate lift-pump	507-003-010

Optional:

SAT-3 Room temperature controller	201-000-146
TZT-100 Room temperature controller	201-000-350

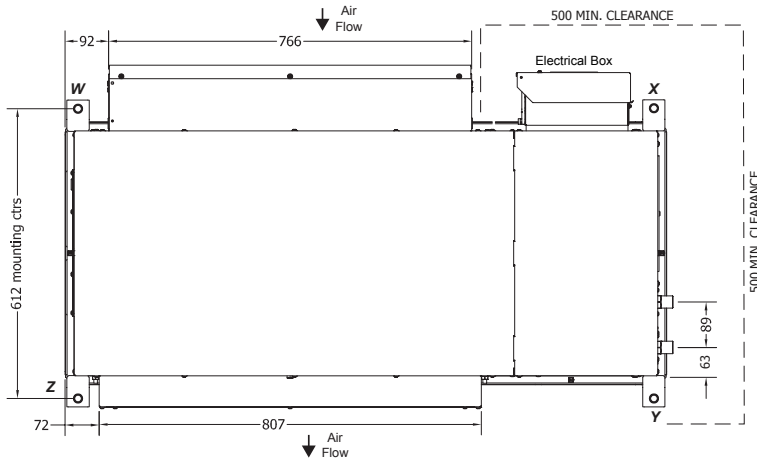
Refer to temperzone for other options, eg remote sensors

DIMENSIONS (mm)



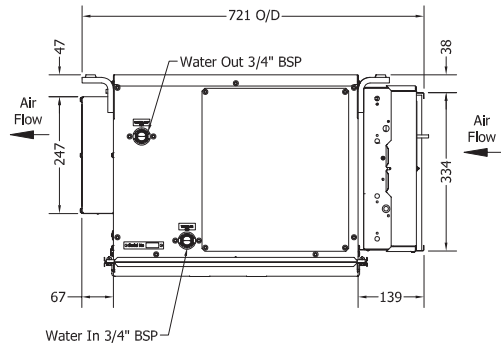
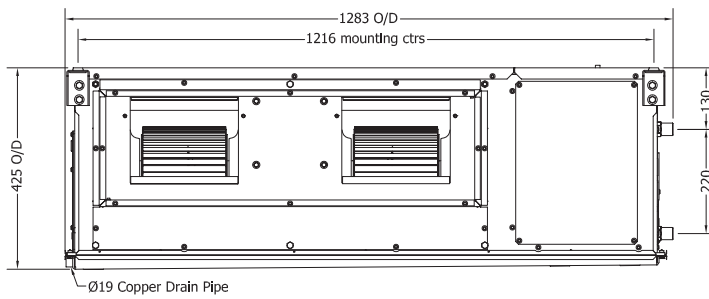
Not to Scale

HWP 118RKT Standard



POINT LOADS (kg)			
W	X	Y	Z
22	41	34	19

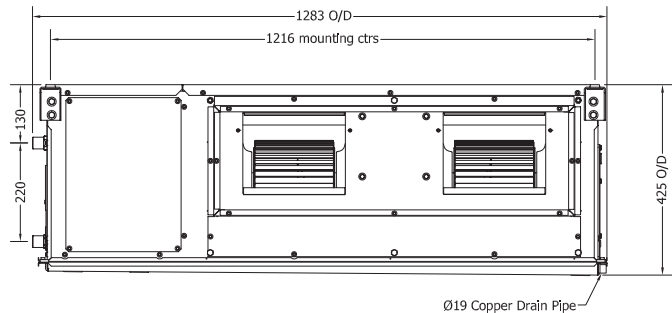
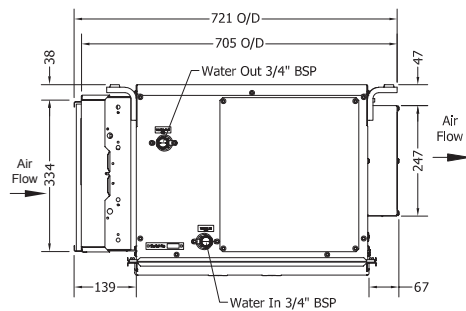
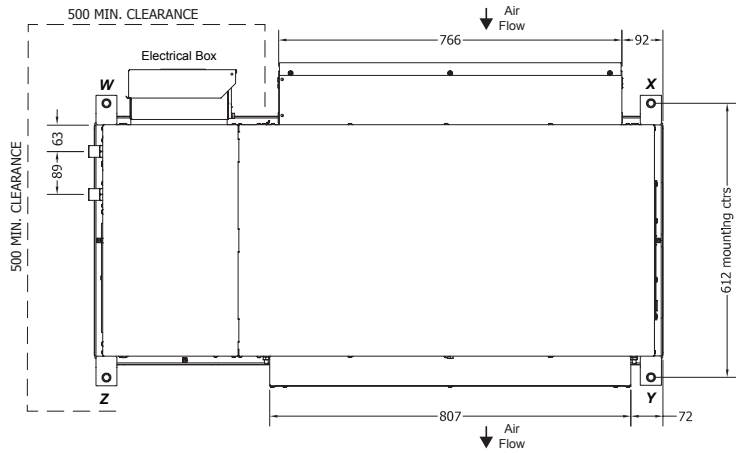
Note: Fan motor can be accessed from panel above, below or sides; no more than two panels at once.



HWP 118RKT Opposite Hand

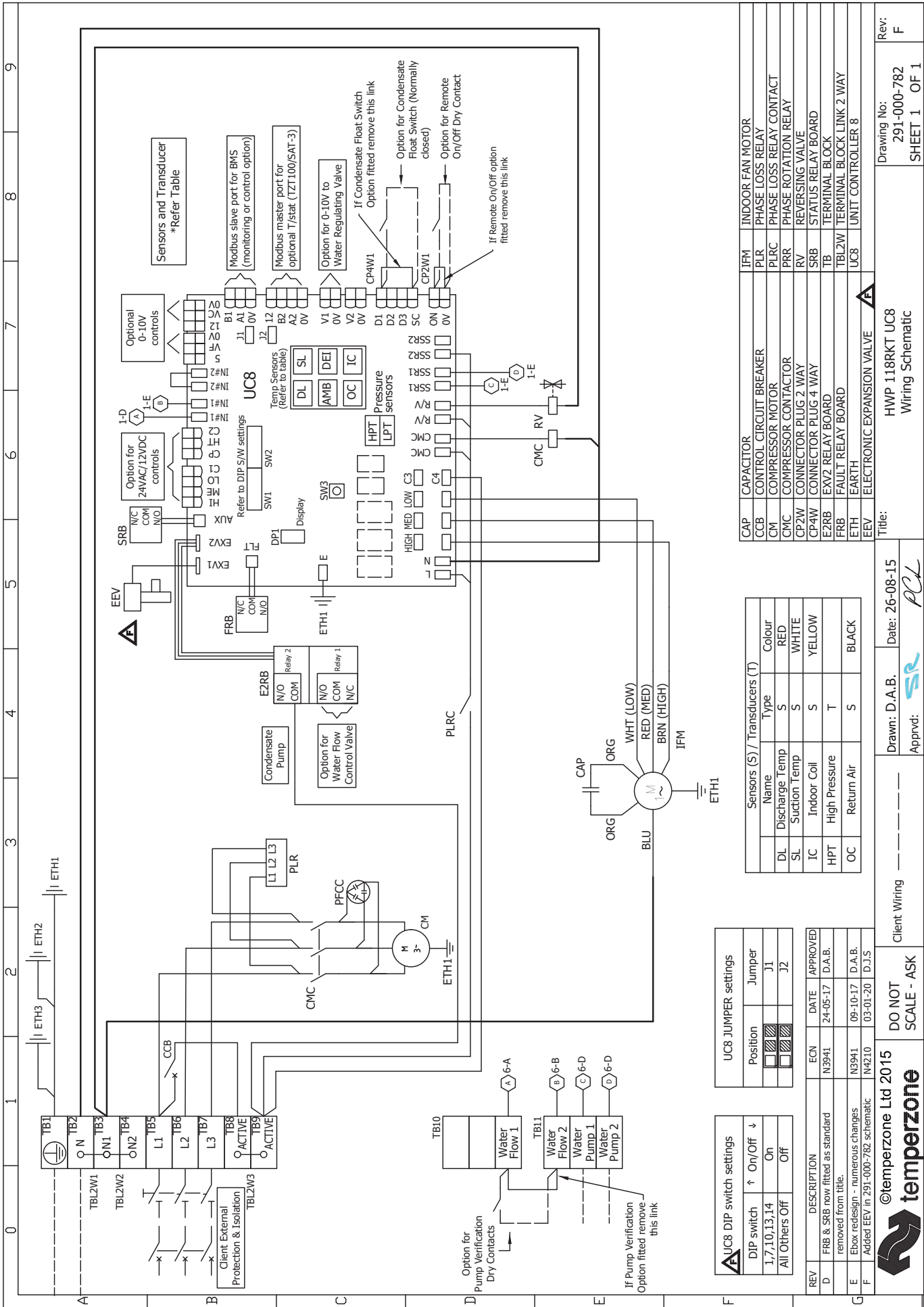
POINT LOADS (kg)			
W	X	Y	Z
34	22	19	41

Note: Fan motor can be accessed from panel above, below or sides; no more than two panels at once.



NOTE

Specifications are subject to change without notice due to the manufacturer's ongoing research and development programme.



CAP	CAPACITOR	IFM	INDOOR FAN MOTOR
CCB	CONTROL CIRCUIT BREAKER	PLR	PHASE LOSS RELAY
CM	COMPRESSOR MOTOR	PLRC	PHASE LOSS RELAY CONTACT
CMC	COMPRESSOR CONTACTOR	PRR	PHASE ROTATION RELAY
CP2W	CONNECTOR PLUG 2 WAY	RV	REVERSING VALVE
CP4W	CONNECTOR PLUG 4 WAY	SRB	STATUS RELAY BOARD
E2RB	EXV2 RELAY BOARD	TB	TERMINAL BLOCK
FRB	FAULT RELAY BOARD	TBL2W	TERMINAL BLOCK LINK 2 WAY
EEV	EARTH	UC8	UNIT CONTROLLER 8
EEV	ELECTRONIC EXPANSION VALVE		

Sensors (S) / Transducers (T)		
Name	Type	Colour
DL	Discharge Temp	RED
SL	Suction Temp	WHITE
IC	Indoor Coil	YELLOW
HPT	High Pressure	
OC	Return Air	BLACK

U8 DIP switch settings		
Position	Jumper	
J1	On	
J2	Off	

REV	DESCRIPTION	ECN	DATE	APPROVED
D	FRB & SRB now fitted as standard removed from title.	N3941	24-05-17	D.A.B.
E	Ebox redesign - numerous changes	N3941	09-10-17	D.A.B.
F	Added EEV in 291-000-782 schematic	N4210	03-04-20	D.J.S



©temperzone Ltd 2015

Client Wiring
DO NOT SCALE - ASK

Drawn: D.A.B. Date: 26-08-15
Approved: *PCL*

Title: HWP 118RKT UC8
Wiring Schematic

Rev: 291-000-782
F SHEET 1 OF 1

SPECIFICATIONS



Model	HWP 118CKT	HWP 118CEKT
Item No. - Standard	509-118-101	509-118-102
Item No. - Opposite Hand	509-118-111	509-118-112
Cooling capacity (net) to AS/NZS 3823 T1	11.9 kW	
Heating capacity - Electric heat	n/a	6.0 kW
Electrical input - cooling	3.0 kW	
Electrical input - heating	n/a	6.5 kW
EER / AEER (cooling)	3.84 / 3.83	
Unit Controller	UC8	
Refrigerant	R410A	
Refrigerant charge	1.78 kg	
Compressor type	rotary	
Water connections	3/4" male BSP	
Nominal EWT on cooling	30°C	
Nominal EAT on cooling	27°C db, 19°C wb	
Nominal Water Flow @ EWT – LWT = 5k	0.75 l/s	
Entering system pressure drop @ nominal flow	55 kPa (8 psi)	
Min. water temp. Cool cycle at nominal flow & EAT	15°C	
Min. water temp. Cool cycle with water flow control valve	5°C	
Max. EWT Cool cycle at nominal flow & EAT	50°C	
Min. water flow @ nominal EWT & EAT	0.21 l/s	
Max. water pressure – excluding hoses	3200 kPa (464 psi)	
Power supply	3 ph. 400V ac 50Hz	
Compressor run amps at rating cond.	4 A	
Indoor fan motor size	375 W	
Indoor fan motor (1ph.) - full load	3 A	
Control circuit breaker (internal)	10 A	
Running amps (total system)	6.0 / 3.6 / 4.0 A	6.0 / 3.6 / 4.0 A
Running amps – electric heat	n/a	2.6 / 13 / 13 A
Max. running amps (total system)	8.9 / 6.3 / 6.3 A	8.9 / 13 / 13 A
Net weight	117 kg	117 kg

Accessories:

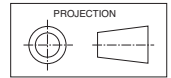
Spring mounts	supplied
Water hoses 600mm long, rated 250psi	3/4" female BSP, supplied
Replacement filter - rated EU2/G2	119-000-097 763x328x13
Condensate lift-pump	507-003-010

Optional:

SAT-3 Room temperature controller	201-000-146
TZT-100 Room temperature controller	201-000-350

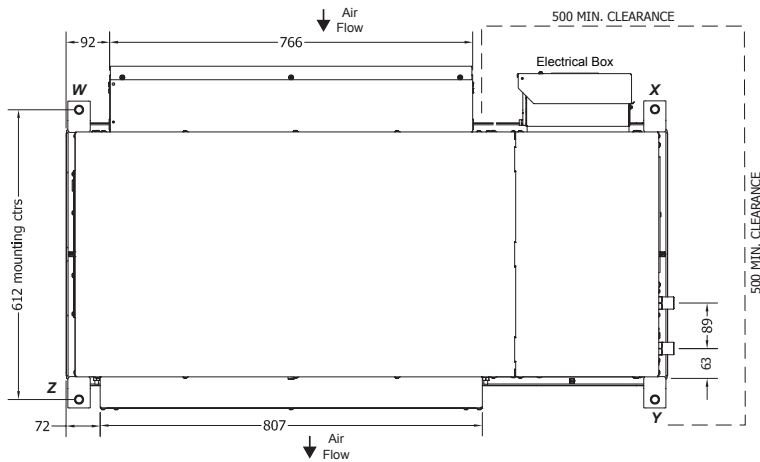
Refer to temperzone for other options, eg remote sensors

DIMENSIONS (mm)



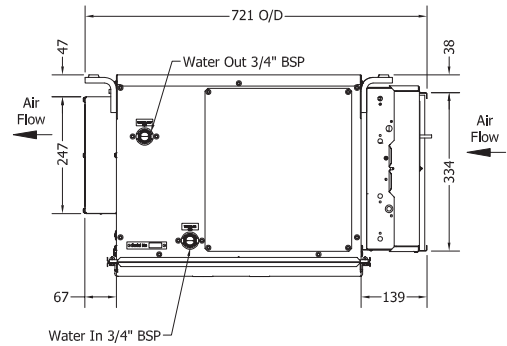
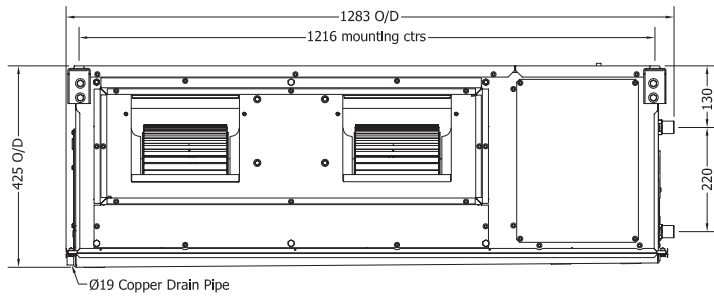
Not to Scale

HWP 118 CKT/CEKT Standard



POINT LOADS (kg)			
W	X	Y	Z
22	41	34	19

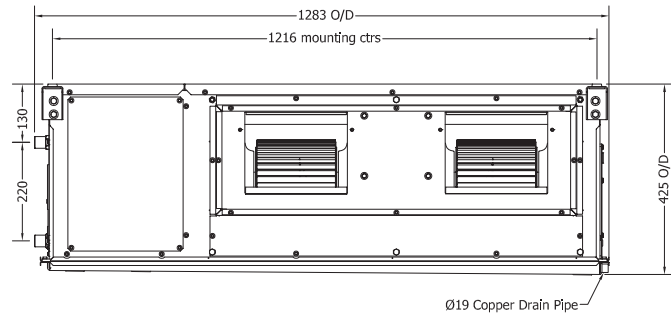
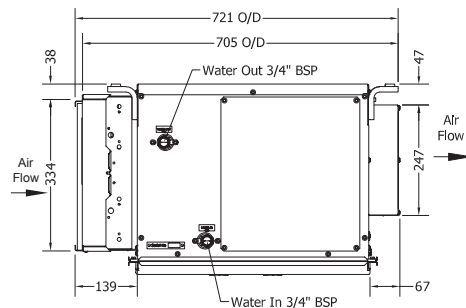
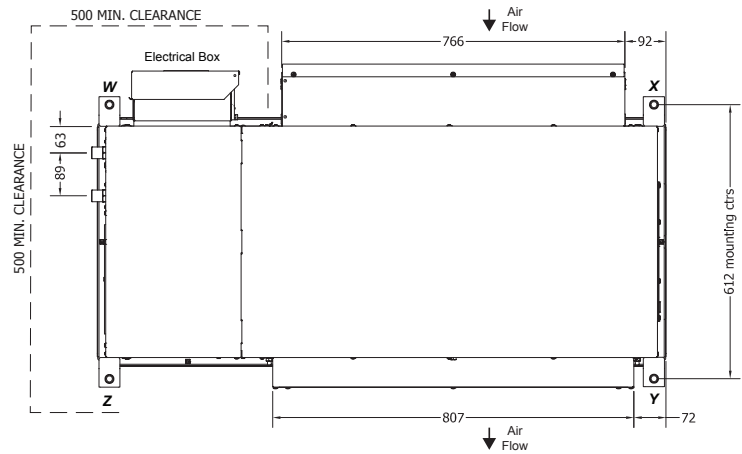
Note: Fan motor can be accessed from panel above, below or sides; no more than two panels at once.



HWP 118 CKT/CEKT Opposite Hand

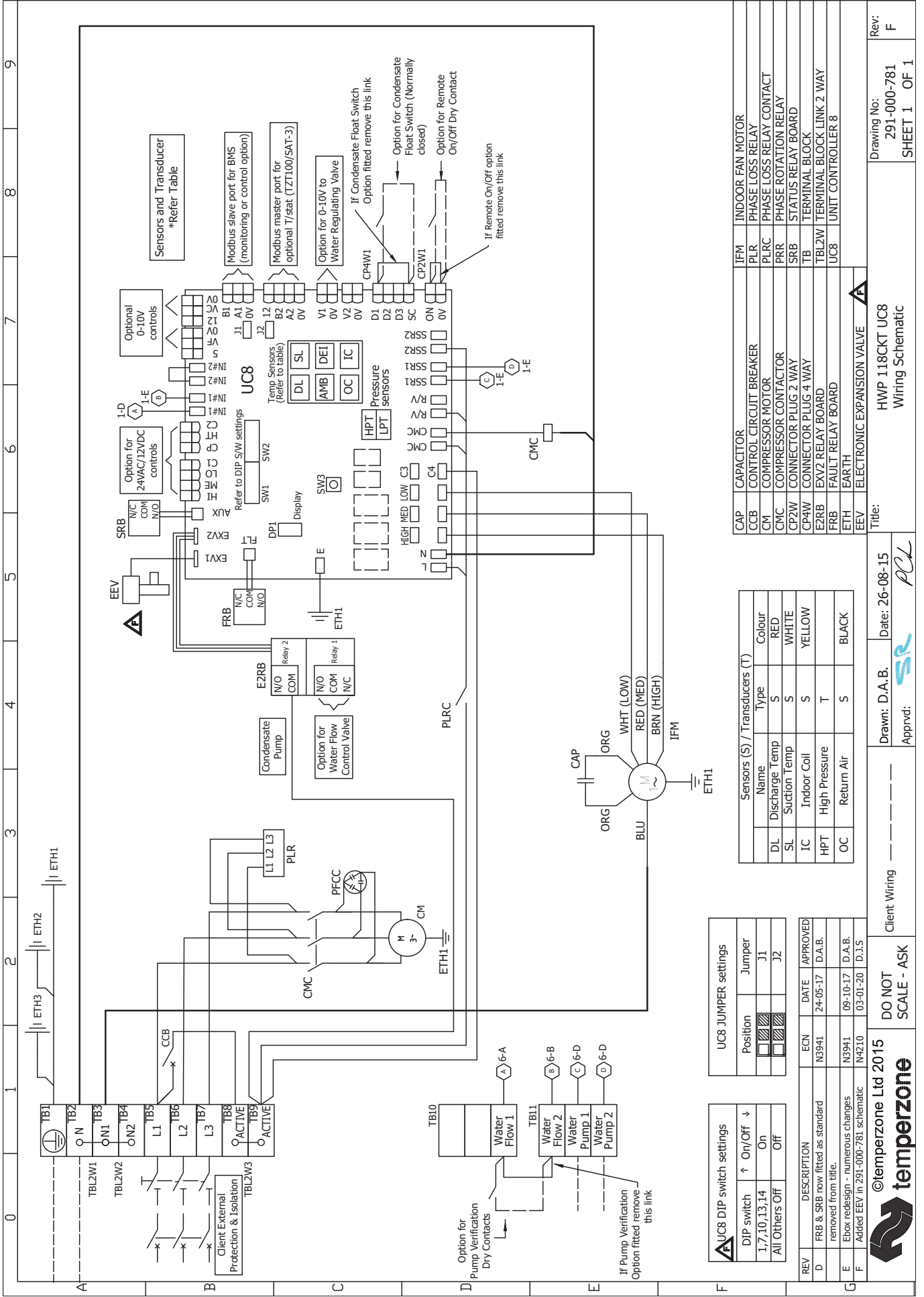
POINT LOADS (kg)			
W	X	Y	Z
34	22	19	41

Note: Fan motor can be accessed from panel above, below or sides; no more than two panels at once.



NOTE

Specifications are subject to change without notice due to the manufacturer's ongoing research and development programme.



CAP	CAPACITOR	IFM	INDOOR FAN MOTOR
CCB	CONTROL CIRCUIT BREAKER	PLR	PHASE LOSS RELAY
CM	COMPRESSOR MOTOR	PLRC	PHASE LOSS RELAY CONTACT
CMC	COMPRESSOR CONTACTOR	PRR	PHASE ROTATION RELAY
CP2W	CONNECTOR PLUG 2 WAY	SRB	STATUS RELAY BOARD
CP4W	CONNECTOR PLUG 4 WAY	TB	TERMINAL BLOCK
E2RB	EXV2 RELAY BOARD	TBL2W	TERMINAL BLOCK LINK 2 WAY
FRB	FAULT RELAY BOARD	UC8	UNIT CONTROLLER 8
EEV	EARTH		
EEV	ELECTRONIC EXPANSION VALVE		

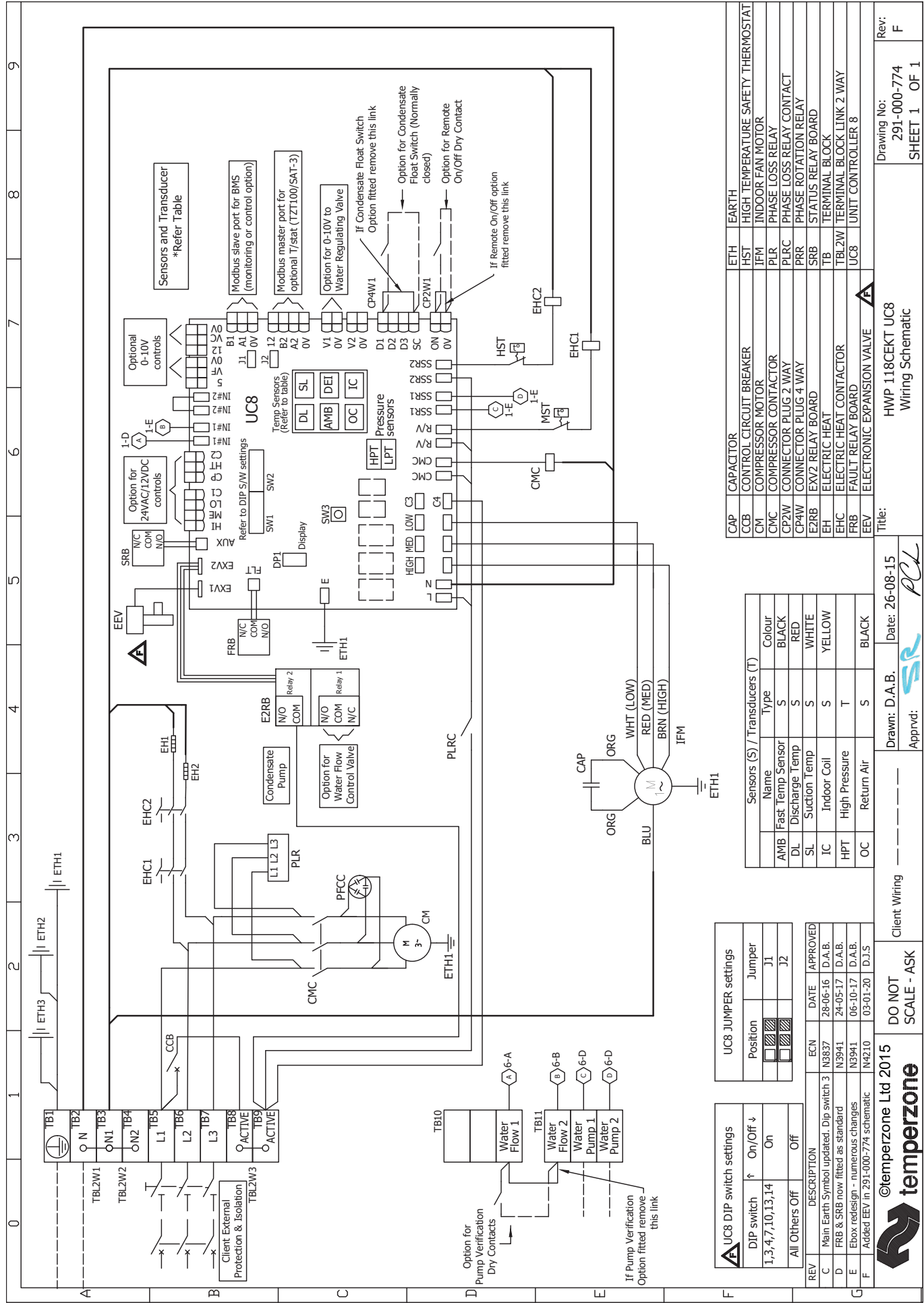
Sensors (S) / Transducers (T)		
Name	Type	Colour
DL	Discharge Temp	RED
SL	Suction Temp	WHITE
IC	Indoor Coil	YELLOW
HPT	High Pressure	T
OC	Return Air	S

UC8 JUMPER settings		
Position	Jumper	
J1		
J2		

UC8 DIP switch settings		
DIP switch	On/Off	
1,7,10,13,14	On	
All Others	Off	

REV	DESCRIPTION	ECN	DATE	APPROVED
D	FRB & SRB now fitted as standard removed from title.	N3941	24-05-17	D.A.B.
E	Ebox redesign - numerous changes	N3941	09-10-17	D.A.B.
F	Added EEV in 291-000-781 schematic	N4210	03-01-20	D.J.S

temperzone
 Client Wiring
 Title: HWP 118CKT UC8 Wiring Schematic
 Drawn: D.A.B. Date: 26-08-15
 Approved: *PCL*
 DO NOT SCALE - ASK
 Rev: 291-000-781 SHEET 1 OF 1
 Drawing No: 291-000-781
 Rev: F



UC8 Terminal	Function
B1	Option for 0-10V to Water Regulating Valve
B2	If Condensate Float Switch Option fitted remove this link
V1	Option for Condensate Float Switch (Normally closed)
V2	Option for Remote On/Off Dry Contact
D1	If Remote On/Off option fitted remove this link
D2	
D3	
SC	
ON	
SR1	
SR2	
SR3	
C1	
C2	
C3	
C4	
N	
Z	
H	
M	
L	
P	
S	
R	
E	
I	
O	
N/O	
COM	

Sensors (S) / Transducers (T)	Name	Type	Colour
AMB	Fast Temp Sensor	S	BLACK
DL	Discharge Temp	S	RED
SL	Suction Temp	S	WHITE
IC	Indoor Coil	S	YELLOW
HPT	High Pressure	T	
OC	Return Air	S	BLACK

UC8 DIP switch settings	
DIP switch	On/Off
1,3,4,7,10,13,14	On
All Others	Off

UC8 JUMPER settings	
Position	Jumper
J1	APPROVED
J2	

REV	DESCRIPTION	ECN	DATE
C	Main Earth Symbol updated. Dip switch 3	N3837	28-06-16
D	FRB & SRB now fitted as standard	N3941	24-05-17
E	Ebox redesign - numerous changes	N3941	06-10-17
F	Added EEV in 291-000-774 schematic	N4210	03-01-20



©temperzone Ltd 2015
 Client Wiring
 DO NOT SCALE - ASK

Drawn: D.A.B.
 Date: 26-08-15
 Approved: PCL

Title: HWP 118CEKT UC8
 Wiring Schematic

Drawing No: 291-000-774
 SHEET 1 OF 1
 Rev: F