

SPECIFICATIONS



Model	OPA 960RKTBG-P ECO
Configuration	Horizontal Supply Air
Item No. (Standard / Opposite Hand)	866-096-701 / 866-096-710
Unit c/w Fresh Air Cowl (OPA 960RKTBG-PC)	868-096-701 / 868-096-710
Cooling capacity (net) to AS/NZS 3823 T1	87.9 kW
Heating capacity H1	90.0 kW
Electrical input - cooling	29.4 kW
Electrical input - heating	26.5 kW
EER / AEER (cooling)	2.99 / 2.98
COP / ACOP (heating)	3.40 / 3.39
Unit Controller	UC8 (x2)
Refrigerant	R410A
Refrigerant Charge	15 kg/sys.
Compressor oil type	POE 32-3MAF (or equivalent)
Compressor type	digital scroll (x2)
Power supply	3 ph. 400V ac 50Hz
Compressor (3ph.) run amps at rating cond.	27.5 A/ph. (x2)
Compressor overload setting	32 A (x2)
Compressor circuit breaker	63 A (x2)
Indoor fan motor size	EC Plug 500 dia. 2.65kW (x2)
Nominal air flow at rating conditions	4750 l/s
Indoor fan motor (3ph.)	4.5 A/ph. (x2)
Outdoor fan motor (1ph.) - full load	1.7 A (x4)
Outdoor fan capacitor size	8 μ fd (x4)
Control circuit breaker (internal)	4 A
Single phase socket circuit breaker	10 A
Running amps (total system)	58 / 66 / 57 A
Max. running amps (total system)	68 / 77 / 67 A
Net weight	1133 kg
Weight c/w Fresh Air Cowl option	1162 kg

Accessories:

Filters - rated EU4/G4 disposable	019-400-008 500x450x50 (x9)
-----------------------------------	-----------------------------

Optional Controls:

TZT-100 Room temperature controller	201-000-350
-------------------------------------	-------------

Refer to temperzone for other options.

Tested in accordance with AS/NZS 3823

16087

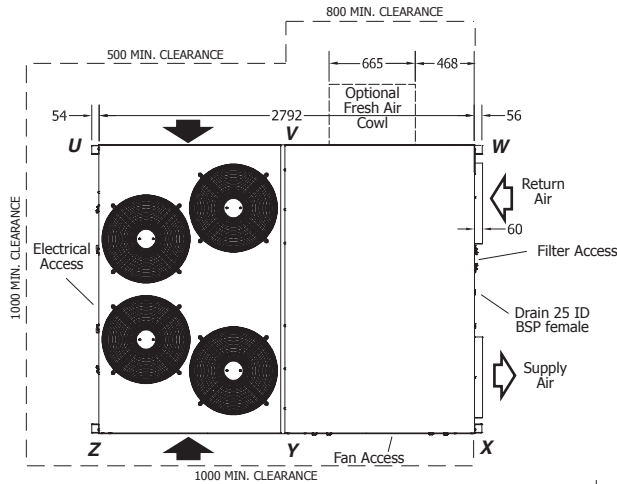


DIMENSIONS (mm)

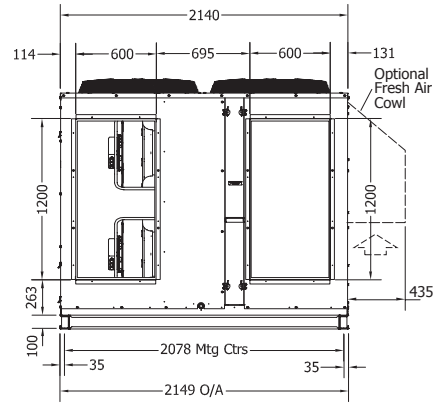
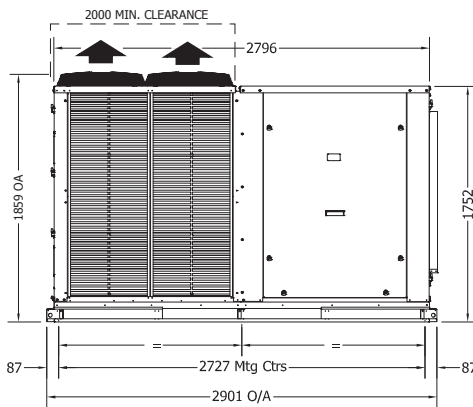


OPA 960RKTBG01-P(C) Standard Hand

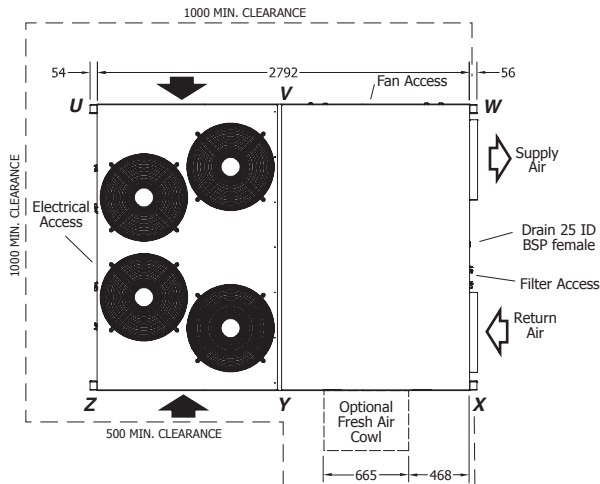
Not to Scale



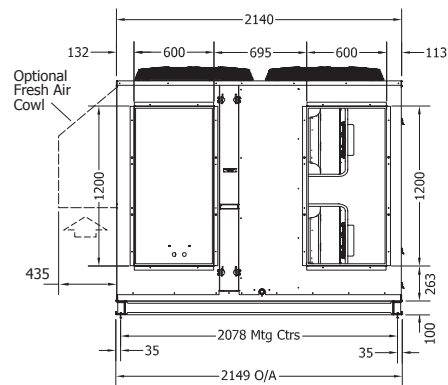
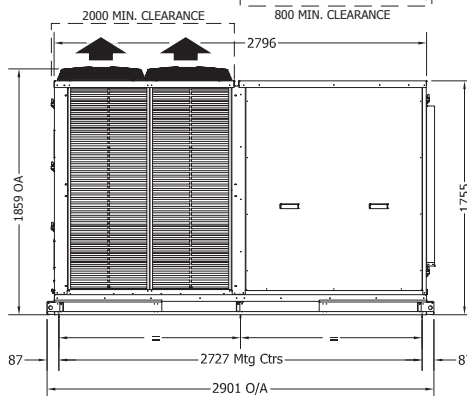
		POINT LOADS (kg)					
		U	V	W	X	Y	Z
no F/A		204	178	151	190	200	210
cw F/A		224	189	162	185	195	207



OPA 960RKTBG10-P(C) Opposite Hand



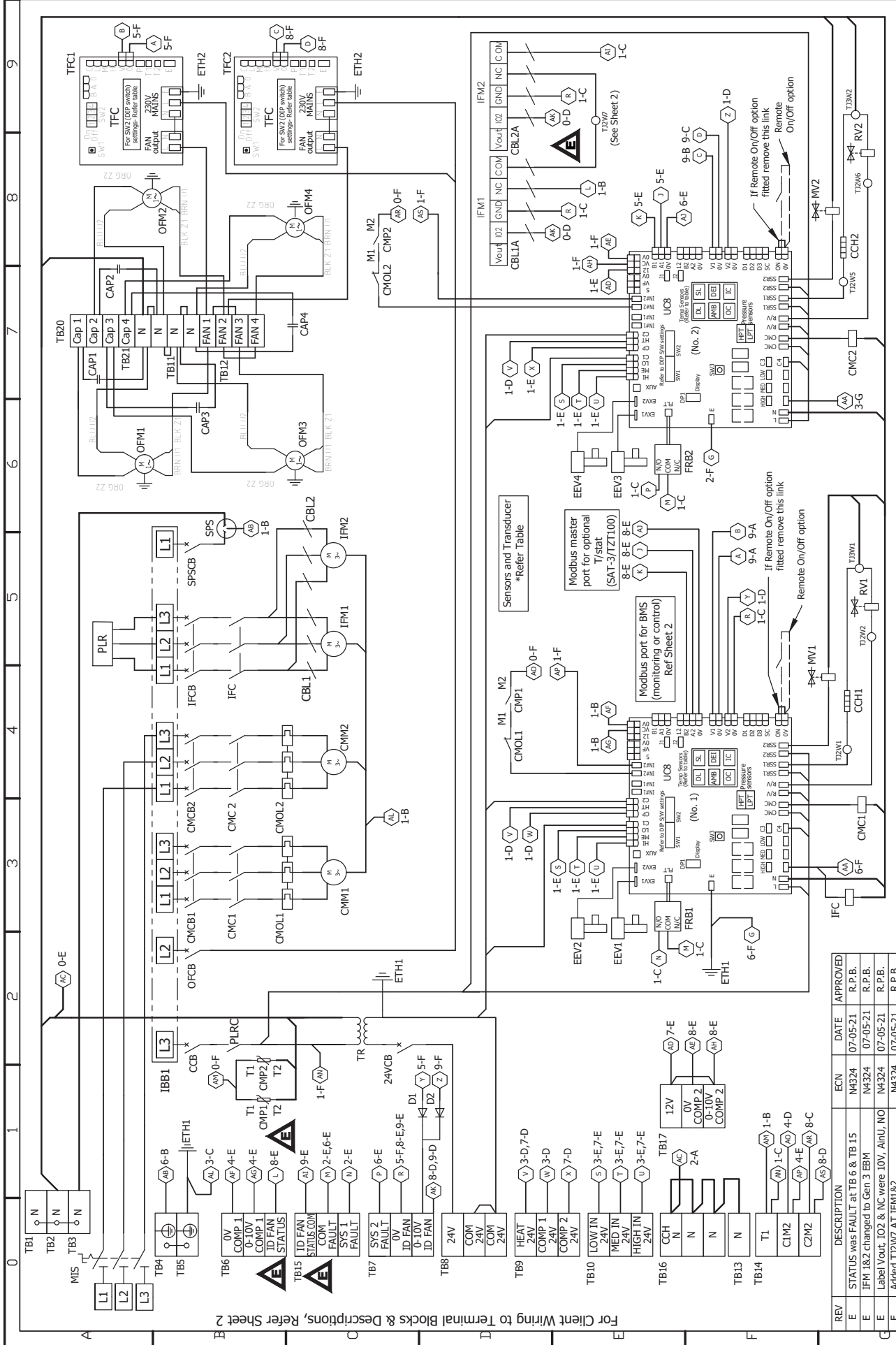
		POINT LOADS (kg)					
		U	V	W	X	Y	Z
no F/A		210	200	190	151	178	204
cw F/A		207	195	185	162	189	224



NOTE

Specifications are subject to change without notice due to the manufacturer's ongoing research and development programme.

WIRING



REV	DESCRIPTION	ECN	DATE	APPROVED
E	STATUS was FAULT at TB 6 & TB 15	N4324	07-05-21	R.P.B.
E	IFM 1&2 changed to Gen 3 FBM	N4324	07-05-21	R.P.B.
E	Label Volt, ID2 & INC were 10V, AnInJ, NO	N4324	07-05-21	R.P.B.
E	Added T12W7 AT IFM1&2.	N4324	07-05-21	R.P.B.

Client Wiring	DO NOT SCALE - ASK
---------------	--------------------

Drawn: C.M.W.	Date: 16-06-16	Approved: P.J.L.
Title: OPA 960RKTBG-P UC8 Wiring Schematic		
Drawing No: 291-002-035 SHEET 1 OF 2		
Rev: E		



©temperzone Ltd 2016

0	1	2	3	4	5	6	7	8	9																																																							
<p>Important Notes:</p> <p>1) Crankcase Heater Note 24 Hour power required for control circuit and crankcase heaters</p> <p>2) SAT-3 & TZT-100 Note To connect TZT100 to unit use 2 pair twisted cable - screen grounded. (F/UTP 24G (0.2mm²) or thicker recommended)</p> <p>3) Master-slave note When the unit is controlled with a TZT-100 or SAT-3 wall thermostat then the two UC8 controllers must be linked and configured as master and slave. Master DIP switch settings: 11 OFF 12 OFF Slave DIP switch settings: 11 ON 12 OFF</p>	<p>Client Protection and Isolator Switch</p> <p>Remote option</p>	<p>Sensors (S) / Transducers (T)</p> <table border="1" style="width:100%; border-collapse: collapse;"> <thead> <tr> <th>Name</th> <th>Type</th> <th>Colour</th> </tr> </thead> <tbody> <tr> <td>DL</td> <td>Discharge Temp</td> <td>S</td> <td>RED</td> </tr> <tr> <td>SL</td> <td>Suction Temp</td> <td>S</td> <td>WHITE</td> </tr> <tr> <td>AMB</td> <td>Ambient Temp</td> <td>S</td> <td>BLACK</td> </tr> <tr> <td>DEI</td> <td>De-ice Temp</td> <td>S</td> <td>BLUE</td> </tr> <tr> <td>LPT</td> <td>Suction Pressure</td> <td>T</td> <td></td> </tr> <tr> <td>HPT</td> <td>High Pressure</td> <td>T</td> <td></td> </tr> </tbody> </table> <p>SAT-3 & TZT100 connection to UC8 terminals</p> <table border="1" style="width:100%; border-collapse: collapse;"> <thead> <tr> <th>UC8 terminals(No.1)</th> <th>SAT-3</th> <th>TZT100 Terminals</th> </tr> </thead> <tbody> <tr> <td>12</td> <td>12V</td> <td>24</td> </tr> <tr> <td>B2</td> <td>B</td> <td>B</td> </tr> <tr> <td>A2</td> <td>A</td> <td>A</td> </tr> <tr> <td>0V</td> <td>GND</td> <td>24C</td> </tr> </tbody> </table> <p>UC8 DIP switch settings (No.1)</p> <table border="1" style="width:100%; border-collapse: collapse;"> <thead> <tr> <th>DIP switch</th> <th>On/Off</th> </tr> </thead> <tbody> <tr> <td>1,2,4,6,7,10</td> <td>On</td> </tr> <tr> <td>All Others</td> <td>Off</td> </tr> </tbody> </table> <p>UC8 DIP switch settings (No.2)</p> <table border="1" style="width:100%; border-collapse: collapse;"> <thead> <tr> <th>DIP switch</th> <th>On/Off</th> </tr> </thead> <tbody> <tr> <td>1,2,4,6,7,10</td> <td>On</td> </tr> <tr> <td>All Others</td> <td>Off</td> </tr> </tbody> </table> <p>TFC DIP switch settings</p> <table border="1" style="width:100%; border-collapse: collapse;"> <thead> <tr> <th>DIP switch</th> <th>On/Off</th> </tr> </thead> <tbody> <tr> <td>1, 2, 3, 4</td> <td>Off</td> </tr> </tbody> </table>	Name	Type	Colour	DL	Discharge Temp	S	RED	SL	Suction Temp	S	WHITE	AMB	Ambient Temp	S	BLACK	DEI	De-ice Temp	S	BLUE	LPT	Suction Pressure	T		HPT	High Pressure	T		UC8 terminals(No.1)	SAT-3	TZT100 Terminals	12	12V	24	B2	B	B	A2	A	A	0V	GND	24C	DIP switch	On/Off	1,2,4,6,7,10	On	All Others	Off	DIP switch	On/Off	1,2,4,6,7,10	On	All Others	Off	DIP switch	On/Off	1, 2, 3, 4	Off	<p>BMS Control</p>	<p>Client Wiring</p>	<p>Remote option</p>	<p>IFM1 (COM) Brown</p> <p>IFM2 (NC) Grey</p> <p>TZT100 Connector/Joiner (To be placed in E-Box)</p>
Name	Type	Colour																																																														
DL	Discharge Temp	S	RED																																																													
SL	Suction Temp	S	WHITE																																																													
AMB	Ambient Temp	S	BLACK																																																													
DEI	De-ice Temp	S	BLUE																																																													
LPT	Suction Pressure	T																																																														
HPT	High Pressure	T																																																														
UC8 terminals(No.1)	SAT-3	TZT100 Terminals																																																														
12	12V	24																																																														
B2	B	B																																																														
A2	A	A																																																														
0V	GND	24C																																																														
DIP switch	On/Off																																																															
1,2,4,6,7,10	On																																																															
All Others	Off																																																															
DIP switch	On/Off																																																															
1,2,4,6,7,10	On																																																															
All Others	Off																																																															
DIP switch	On/Off																																																															
1, 2, 3, 4	Off																																																															
<table border="1" style="width:100%; border-collapse: collapse;"> <thead> <tr> <th>REV</th> <th>DESCRIPTION</th> <th>ECN</th> <th>DATE</th> <th>APPROVED</th> </tr> </thead> <tbody> <tr> <td>E</td> <td>STATUS was FAULT at TB 6 & TB 15</td> <td>N4324</td> <td>07-05-21</td> <td>R.P.B.</td> </tr> <tr> <td>E</td> <td>IFM 1&2 changed to Gen 3 EBM</td> <td>N4324</td> <td>07-05-21</td> <td>R.P.B.</td> </tr> <tr> <td>E</td> <td>Label Vout, IO2 & NC were IOV, AinLU, NO</td> <td>N4324</td> <td>07-05-21</td> <td>R.P.B.</td> </tr> <tr> <td>E</td> <td>Added TZT100 AT IFM1&2.</td> <td>N4324</td> <td>07-05-21</td> <td>R.P.B.</td> </tr> </tbody> </table>	REV	DESCRIPTION	ECN	DATE	APPROVED	E	STATUS was FAULT at TB 6 & TB 15	N4324	07-05-21	R.P.B.	E	IFM 1&2 changed to Gen 3 EBM	N4324	07-05-21	R.P.B.	E	Label Vout, IO2 & NC were IOV, AinLU, NO	N4324	07-05-21	R.P.B.	E	Added TZT100 AT IFM1&2.	N4324	07-05-21	R.P.B.	<p style="text-align: center;">Client Wiring</p> <p style="text-align: center;">DO NOT SCALE - ASK</p>	<p style="text-align: center;">©temperzone Ltd 2016</p> <p style="text-align: center;">temperzone</p>	<p style="text-align: center;">Drawing No: OPA 960RKTBG-P UC8</p> <p style="text-align: center;">Wiring Schematic</p> <p style="text-align: center;">Date: 16-06-16</p> <p style="text-align: center;">Drawn: C.M.W. <i>PUL</i></p> <p style="text-align: center;">Approved: <i>PUL</i></p> <p style="text-align: center;">Rev: E</p> <p style="text-align: center;">SHEET 2 OF 2</p>																																				
REV	DESCRIPTION	ECN	DATE	APPROVED																																																												
E	STATUS was FAULT at TB 6 & TB 15	N4324	07-05-21	R.P.B.																																																												
E	IFM 1&2 changed to Gen 3 EBM	N4324	07-05-21	R.P.B.																																																												
E	Label Vout, IO2 & NC were IOV, AinLU, NO	N4324	07-05-21	R.P.B.																																																												
E	Added TZT100 AT IFM1&2.	N4324	07-05-21	R.P.B.																																																												