

# SPECIFICATIONS



<b>Model</b>	<b>OPA 296RKTF-P (inverter)</b>
Configuration	Downward Supply Air
Item No. (Standard / Opposite Hand)	876-030-723 / 876-030-732
Cooling capacity (net) to AS/NZS 3823 T1	30.9 kW
Heating capacity H1	27.4 kW
Electrical input - cooling	9.8 kW
Electrical input - heating	8.3 kW
EER / AEER (cooling)	3.14 / 3.12
COP / ACOP (heating)	3.28 / 3.26
Unit Controller	UC8
Refrigerant	R410A
Refrigerant Charge	9 kg
Compressor oil type	polyvinylether (PVE)
Compressor type	inverter
Power supply	3 ph. 400V ac 50Hz
Indoor fan motor size	EC plug 500 dia. 2.5 kW
Nominal air flow at rating conditions	1700 l/s
Indoor fan motor (3ph.) - full load	3.1 A/ph.
Outdoor air fan motor (1ph.) - full load	1.7 A (x2)
Outdoor air fan capacitor size	8 $\mu$ fd (x2)
Control circuit breaker (internal)	2 A
Running amps (total system)	17.3 / 15.7 / 19.2 A
Max. running amps (total system)	19.0 / 17.4 / 20.9 A
Net weight	470 kg

### Accessories:

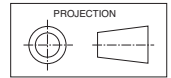
Filters - rated EU4/G4 disposable	019-400-008 495x445x50 (x2) 019-400-010 450x600x50 (x2)
-----------------------------------	--

### Optional Controls:

SAT-3 Room temperature controller	201-000-146
TZT-100 Room temperature controller	201-000-350

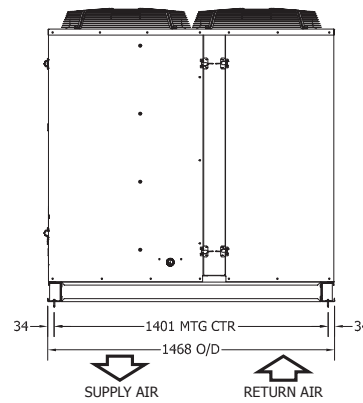
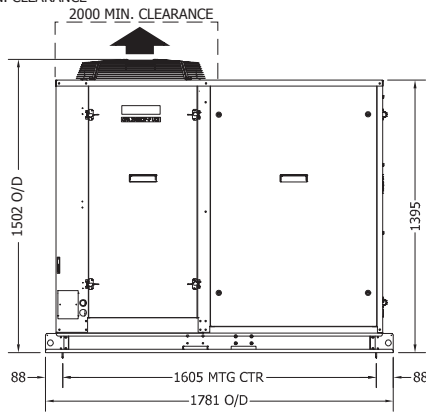
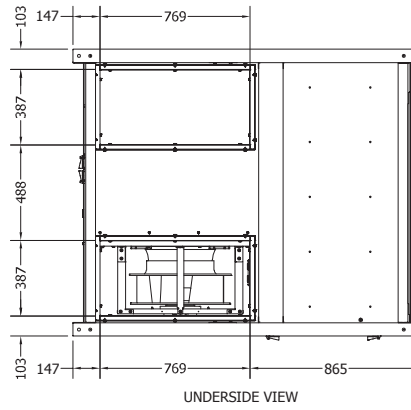
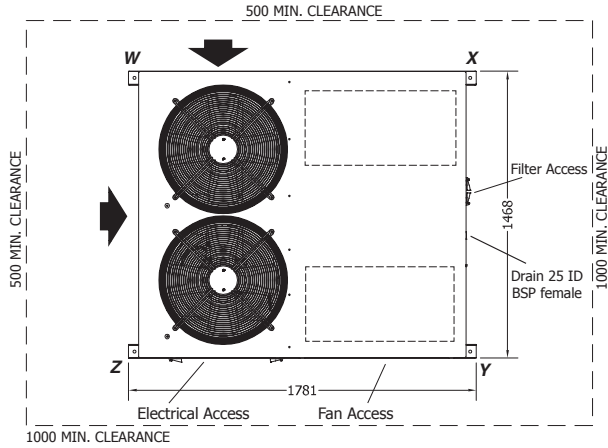
Refer to temperzone for other options.

# DIMENSIONS (mm)



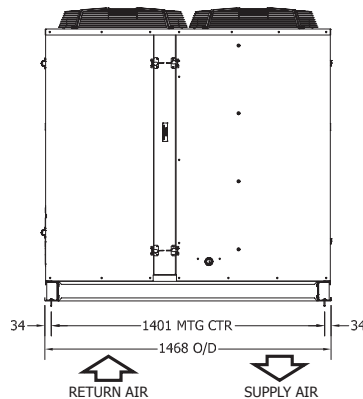
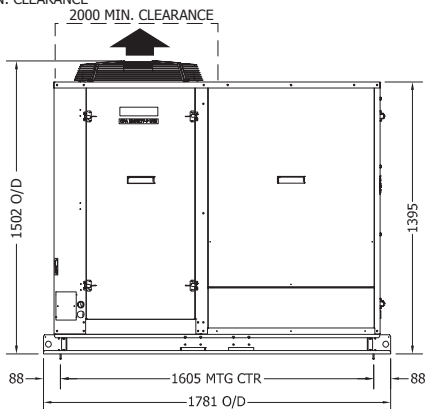
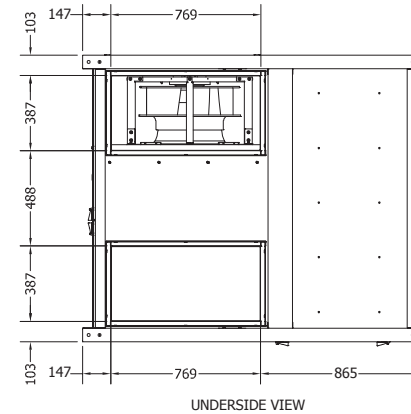
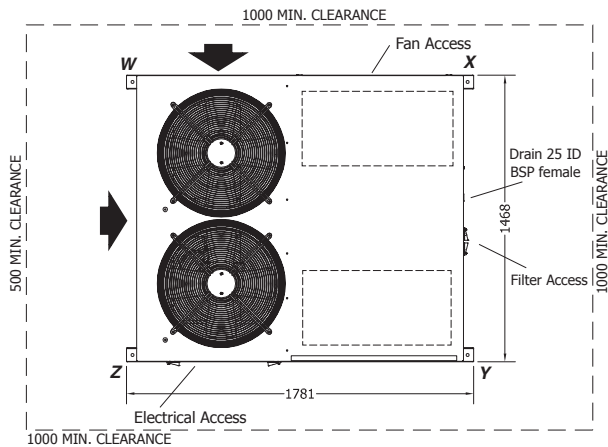
Not to Scale

## OPA 296RKTF23-P Standard Hand



POINT LOADS (kg)			
W	X	Y	Z
75	60	153	191

## OPA 296RKTF32-P Opposite Hand



POINT LOADS (kg)			
W	X	Y	Z
75	153	60	191

### NOTE

Specifications are subject to change without notice due to the manufacturer's ongoing research and development programme.





0	24VCB CAP CBL CCB CCH CK CMCB CM E1H FRB IFC IFCB IFM IBB MIS OFCB OFM PR PLR RV SCB SPS TB TFC TJ TR UC8	24 VOLT CIRCUIT BREAKER CAPACITOR CABLE CONTROL CIRCUIT BREAKER CRANKCASE HEATER CHOKE COMPRESSOR MOTOR CIRCUIT BREAKER (DRIVE) COMPRESSOR MOTOR EARTH FAULT RELAY BOARD INDOOR FAN CONTACTOR INDOOR FAN CIRCUIT BREAKER INDOOR FAN MOTOR INSULATED BUS BAR MAIN ISOLATOR SWITCH OUTDOOR FAN CIRCUIT BREAKER OUTDOOR FAN MOTOR PHASE RELAY PHASE LOST RELAY REVERSING VALVE SOCKET CIRCUIT BREAKER SINGLE PHASE SOCKET TERMINAL BLOCK TRIAC FAN CONTROLLER TERMINAL JOINER TRANSFORMER UNIT CONTROLLER 8	1	2	3	4	5	6	7	8	9
A											
B											
C											
D											
E											
F											
G											

**Important Notes:**

- 1) Crankcase Heater Note  
24 Hour power required for control circuit and crankcase heaters

REV	DESCRIPTION	ECN	DATE	APPROVED
A	Initial Release		21-06-16	
B	PLR now normally open. Busbar Now L1, L2, L3	N3982	11-05-17	A.K.B

©temperzone Ltd 2016

Client Wiring	Drawn: A.K.B	Date: 21-06-16	Title: OPA 296RKTFFH-P UC8 Wiring Schematic
	Approvd: <i>SR</i>	<i>PK</i>	

	Drawing No: 291-002-021 SHEET 2 OF 2		Rev: B
--	--	--	-----------

	BMS Control	
	<p>MOBBUS port for BMS</p>	

	Client Wiring	

	Remote option	
	<p>If Remote On/Off option fitted remove this link</p>	
	<p>Remote On/Off option</p>	

Sensors (S) / Transducers (T)		
Name	Type	Colour
DL	Discharge Temp	RED
SL	Suction Temp	WHITE
AMB	Ambient Temp	BLACK
DEI	De-ice Temp	BLUE
LPT	Suction Pressure	
HPT	High Pressure	

SAT-3 & TZT100 connection to UC8 terminals	
UC8 terminals	SAT-3
12	12V
B2	B
A2	A
0V	GND
Screen to 0V	

UC8 DIP switch settings	
DIP switch	On/Off
1,4,6,7,10	On
All Others Off	Off

TFC DIP switch settings	
DIP switch	On/Off
1, 2, 3, 4	On
	Off

PSD DIP switch settings	
DIP switch	On/Off
1, 4	On
2, 3	Off