

Model	HWP 48RKSJ
Item No. (Standard/Opposite Hand)	510-048-001 / 510-048-011
Cooling capacity (net) to AS/NZS 3823 T1	4.3 kW
Heating capacity H1	4.6 kW
Electrical input - cooling	1.1 kW
Electrical input - heating	1.2 kW
EER / AEER (cooling)	3.79 / 3.77
COP / ACOP (heating)	4.17 / 4.14
Unit Controller	UC8
Refrigerant	R410A
Refrigerant charge	770 g
Compressor type	rotary
Water connections	1/2" male BSP
Nominal EWT/EAT on cooling	30°C / 27°C db, 19°C wb
Nominal EWT/EAT on heating	20°C / 20°C
Nominal Water Flow @ EWT – LWT = 5k	0.28 l/s
Entering system pressure drop @ nominal flow	27.6 kPa (4 psi)
Min. water temp. Heat cycle at nominal flow & EAT	10°C
Min. water temp. Cool cycle at nominal flow & EAT	15°C
Min. water temp. Cool cycle with water regulating valve	5°C
Max. EWT Heat cycle at nominal flow & EAT	30°C
Max. EWT Cool cycle at nominal flow & EAT	50°C
Min. water flow @ nominal EWT & EAT	0.07 l/s
Max. water pressure – excluding hoses	3200 kPa (464 psi)
Power supply	1 ph. 230V ac 50Hz
Compressor run amps at rating cond.	4.5 A
Compressor run capacitor	40 µfd
Indoor fan motor size	230 W (EC)
Indoor fan motor (1ph.) - full load	1.3 A
Control circuit breaker (internal)	10 A
Running amps (total system)	5.0 A
Max. running amps (total system)	7.6 A
Net weight	75 kg

Accessories:

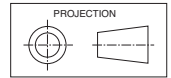
Spring mounts	supplied
Water hoses 600mm long, rated 1720 kPa (250psi)	1/2" female BSP, supplied
Replacement filter - rated EU2/G2	119-000-098 513x265x13
Condensate lift-pump	507-003-009

Optional:

SAT-3 Room temperature controller	201-000-146
TZT-100 Room temperature controller	201-000-350

Refer to temperzone for other options, eg remote sensors

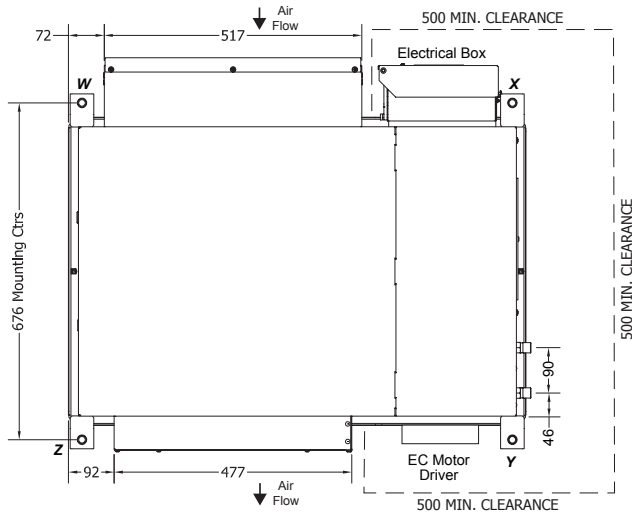
DIMENSIONS (mm)



Not to Scale

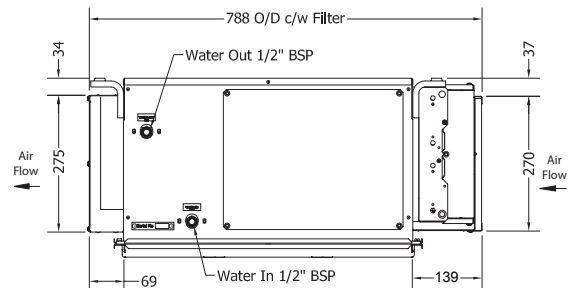
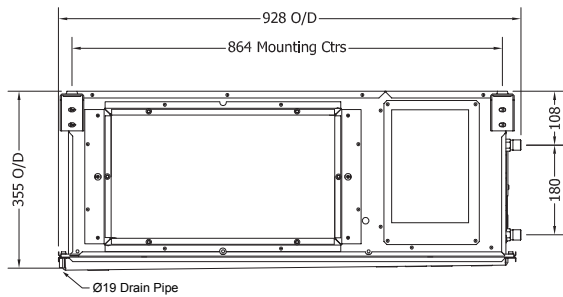
HWP 48RKSYS Standard

Right handed model shown here



POINT LOADS (kg)			
W	X	Y	Z
19	21	26	9

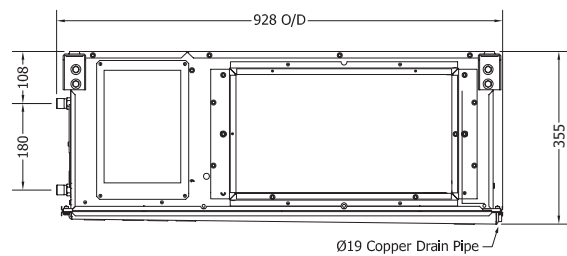
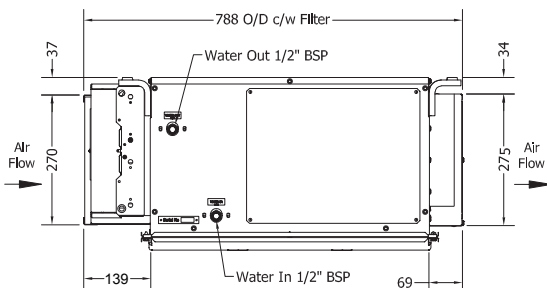
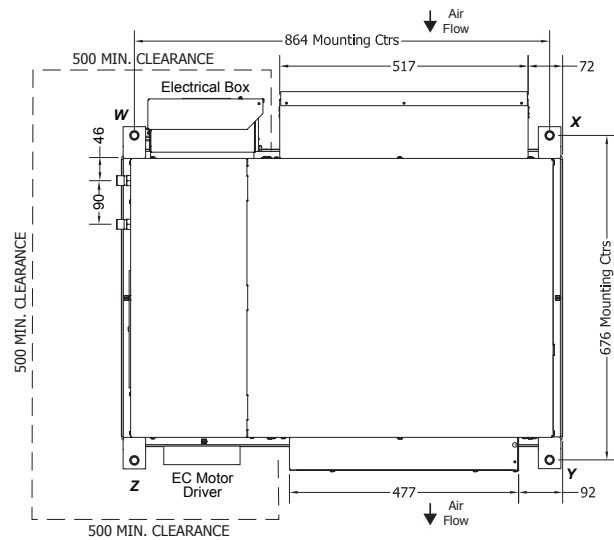
Note: Fan motor can be accessed from panel above, below or sides; no more than two panels at once.



HWP 48RKSYS Opposite Hand

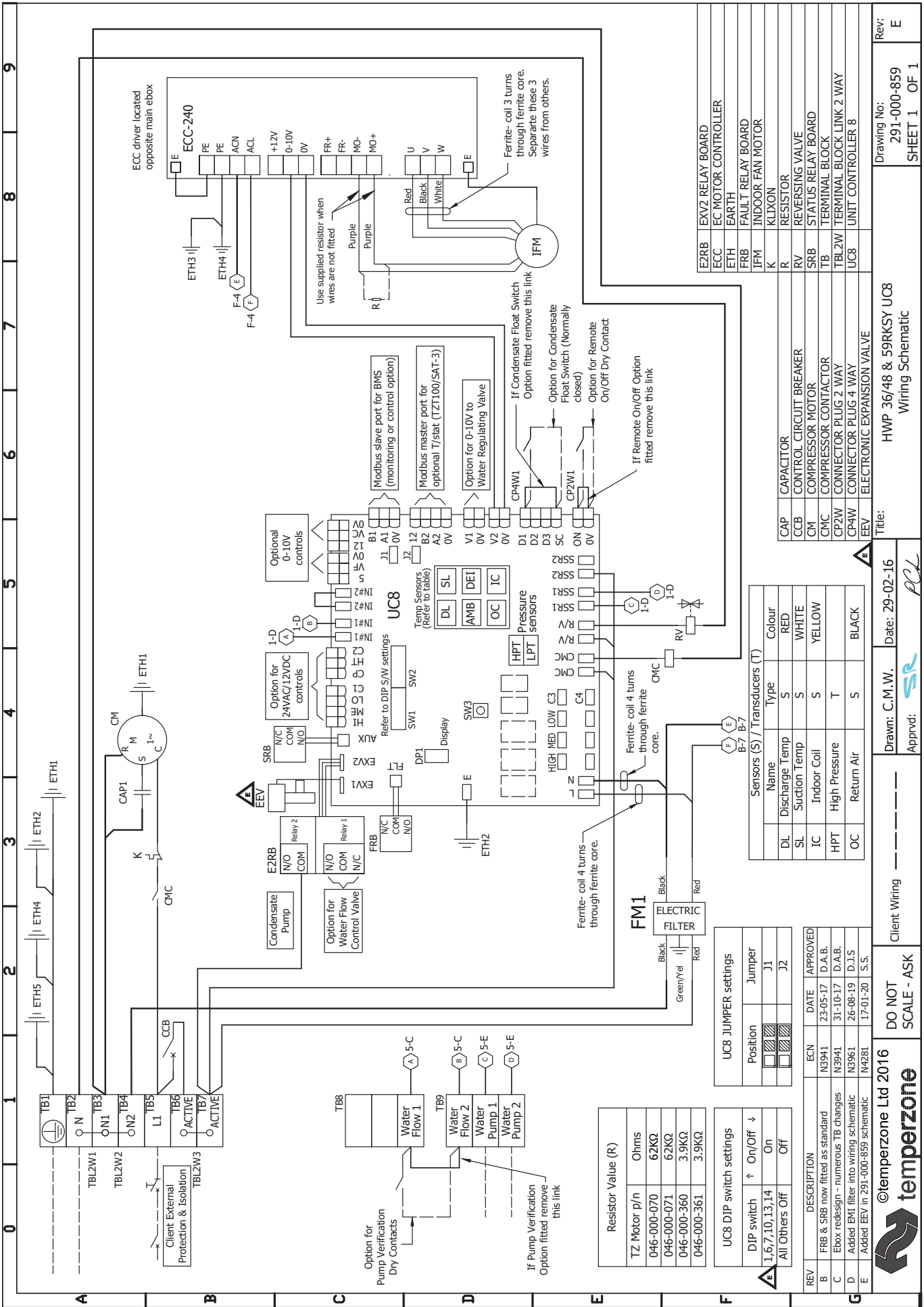
POINT LOADS (kg)			
W	X	Y	Z
26	9	19	21

Note: Fan motor can be accessed from panel above, below or sides; no more than two panels at once.



NOTE

Specifications are subject to change without notice due to the manufacturer's ongoing research and development programme.



E2RB	EXV2 RELAY BOARD
ECC	EC MOTOR CONTROLLER
ETH	EARTH
FRB	FAULT RELAY BOARD
IFM	INDOOR FAN MOTOR
K	KLIXON
R	RESISTOR
RV	REVERSING VALVE
SRB	STATUS RELAY BOARD
TB	TERMINAL BLOCK
TBL2W	TERMINAL BLOCK LINK 2 WAY
UC8	UNIT CONTROLLER 8

CAP	CAPACITOR
CCB	CONTROL CIRCUIT BREAKER
CM	COMPRESSOR MOTOR
CMC	COMPRESSOR CONTACTOR
CP2W	CONNECTOR PLUG 2 WAY
CP4W	CONNECTOR PLUG 4 WAY
EEV	ELECTRONIC EXPANSION VALVE

Sensors (S) / Transducers (T)	Name	Type	Colour
DL	Discharge Temp	S	RED
SL	Suction Temp	S	WHITE
IC	Indoor Coil	S	YELLOW
HPT	High Pressure	T	
OC	Return Air	S	BLACK

UC8 JUMPER settings	
Position	Jumper
J1	APPROVED
J2	APPROVED

Resistor Value (R)	Ohms
TZ	Motor p/n
046-000-070	62KΩ
046-000-071	62KΩ
046-000-360	3.9KΩ
046-000-361	3.9KΩ

UC8 DIP switch settings	
DIP switch	On/Off
1,6,7,10,13,14	On
All Others	Off

Drawing No: **HWP 36/48 & 59RKSU UC8**
 Title: **Wiring Schematic**
 Rev: **E**
 Drawing No: **291-000-859**
 SHEET 1 OF 1

Drawn: **C.M.W.** Date: **29-02-16**
 Approved: **PC**

Client Wiring: **DO NOT SCALE - ASK**

©temperzone Ltd 2016
temperzone

Model	HWP 48CEKSY
Item No. (Standard / Opposite Hand)	510-048-102 / 510-048-112
Cooling capacity (net) to AS/NZS 3823 T1	4.3 kW
Heating capacity - Electric heat	2.0 kW
Electrical input - cooling	1.1 kW
Electrical input - heating	2.1 kW
EER / AEER (cooling)	3.79 / 3.77
Unit Controller	UC8
Refrigerant	R410A
Refrigerant charge	770 g
Compressor type	rotary
Water connections	1/2" male BSP
Nominal EWT on cooling	30°C
Nominal EAT on cooling	27°C db, 19°C wb
Nominal Water Flow @ EWT – LWT = 5k	0.28 l/s
Entering system pressure drop @ nominal flow	27.6 kPa (4 psi)
Min. water temp. Cool cycle at nominal flow & EAT	15°C
Min. water temp. Cool cycle with water regulating valve	5°C
Max. EWT Cool cycle at nominal flow & EAT	50°C
Min. water flow @ nominal EWT & EAT	0.07 l/s
Max. water pressure – excluding hoses	3200 kPa (464 psi)
Power supply	1 ph. 230V ac 50Hz
Compressor run amps at rating cond.	4.5 A
Compressor run capacitor	40 µfd
Indoor fan motor size	230 W (EC)
Indoor fan motor (1ph.) - full load	1.3 A
Control circuit breaker (internal)	10 A
Running amps (total system)	9.2 A
Max. running amps (total system)	10.0 A
Net weight	75 kg

Accessories:

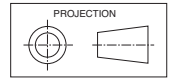
Spring mounts	supplied
Water hoses 600mm long, rated 1720 kPa (250psi)	1/2" female BSP, supplied
Replacement filter - rated EU2/G2	119-000-098 513x265x13
Condensate lift-pump	507-003-009

Optional:

SAT-3 Room temperature controller	201-000-146
TZT-100 Room temperature controller	201-000-350

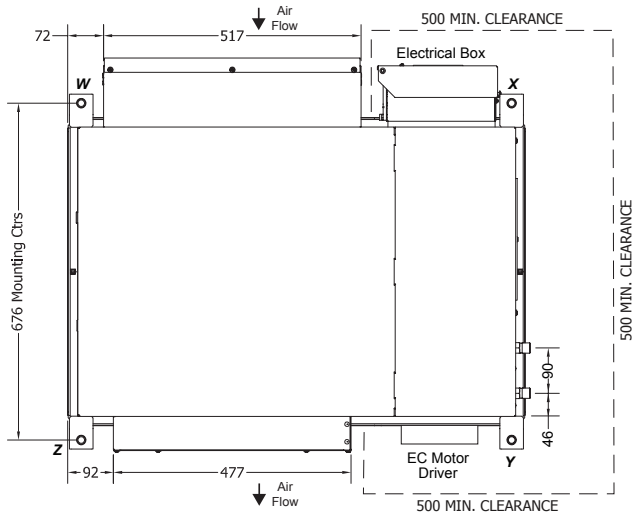
Refer to temperzone for other options, eg remote sensors

DIMENSIONS (mm)



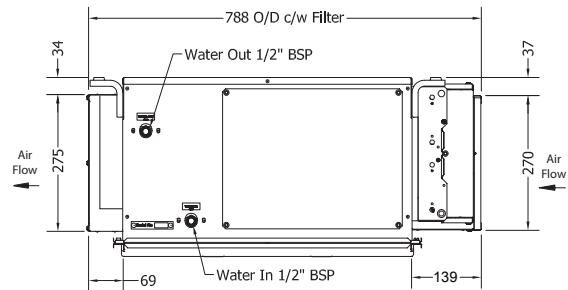
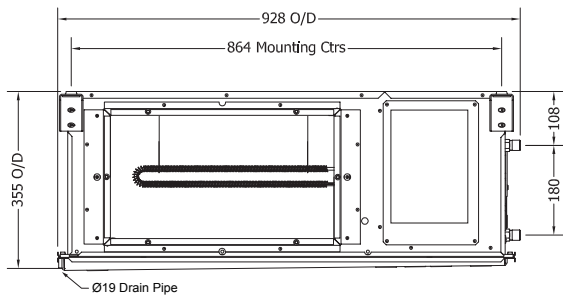
Not to Scale

HWP 48CEKSY Standard



POINT LOADS (kg)			
W	X	Y	Z
17	19	11	28

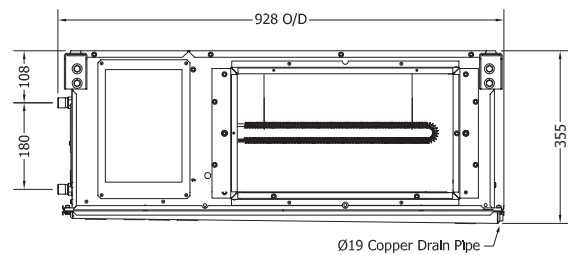
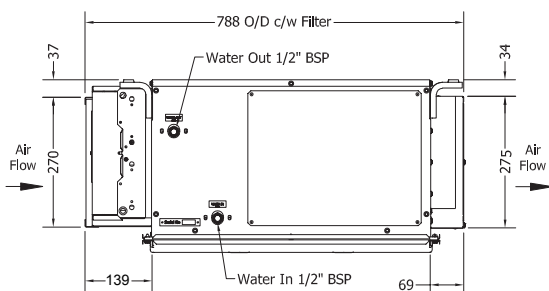
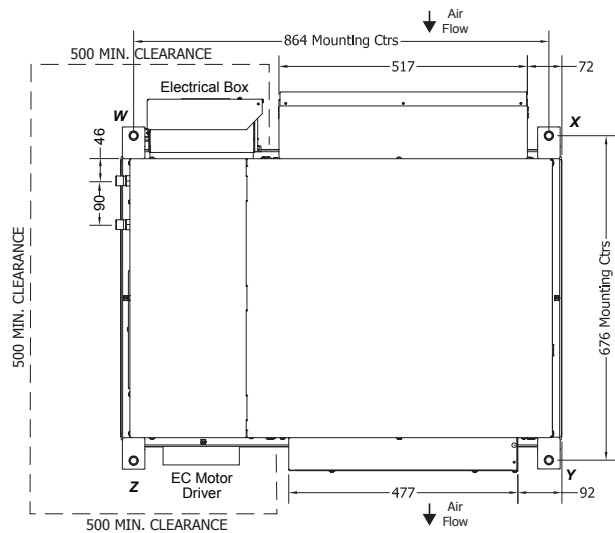
Note: Fan motor can be accessed from panel above, below or sides; no more than two panels at once.



HWP 48CEKSY Opposite Hand

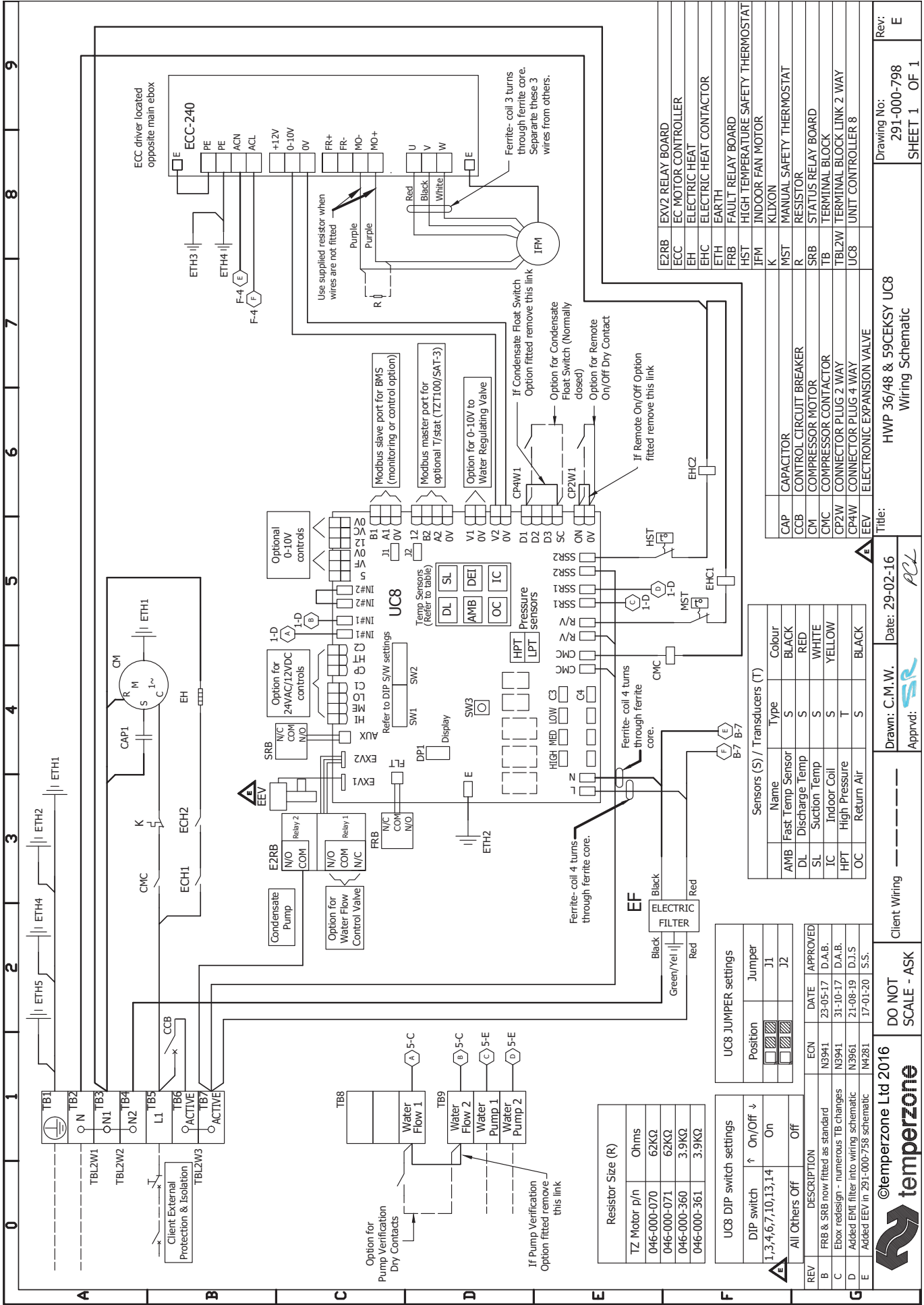
POINT LOADS (kg)			
W	X	Y	Z
19	17	28	11

Note: Fan motor can be accessed from panel above, below or sides; no more than two panels at once.



NOTE

Specifications are subject to change without notice due to the manufacturer's ongoing research and development programme.



E2RB	EXV2 RELAY BOARD
ECC	EC MOTOR CONTROLLER
EH	ELECTRIC HEAT
EHC	ELECTRIC HEAT CONTACTOR
ETH	EARTH
FRB	FAULT RELAY BOARD
HST	HIGH TEMPERATURE SAFETY THERMOSTAT
IFM	INDOOR FAN MOTOR
K	KLIXON
MST	MANUAL SAFETY THERMOSTAT
R	RESISTOR
SRB	STATUS RELAY BOARD
TB	TERMINAL BLOCK
TBL2W	TERMINAL BLOCK LINK 2 WAY
UC8	UNIT CONTROLLER 8

CAP	CAPACITOR
CCB	CONTROL CIRCUIT BREAKER
CM	COMPRESSOR MOTOR
CMC	COMPRESSOR CONTACTOR
CP2W	CONNECTOR PLUG 2 WAY
CP4W	CONNECTOR PLUG 4 WAY
EEV	ELECTRONIC EXPANSION VALVE

Name	Type	Colour
AMB	Fast Temp Sensor	BLACK
DL	Discharge Temp	RED
SL	Suction Temp	WHITE
IC	Indoor Coil	YELLOW
HPT	High Pressure	T
OC	Return Air	BLACK

Position	Jumper
J1	On
J2	Off

REV	DESCRIPTION	ECN	DATE	APPROVED
B	FRB & SRB now fitted as standard	N3941	23-05-17	D.A.B.
C	Ebox redesign - numerous TB changes	N3941	31-10-17	D.A.B.
D	Added EFM filter into wiring schematic	N3961	21-08-19	D.J.S.
E	Added EEV in 291-000-758 schematic	N4281	17-01-20	S.S.

Client Wiring _____
DO NOT SCALE - ASK
©temperzone Ltd 2016

