

Model	HWP 98RKSJ
Item No. (Standard/Opposite Hand)	510-098-001 / 510-098-011
Cooling capacity (net) to AS/NZS 3823 T1	9.8 kW
Heating capacity H1	11.3 kW
Electrical input - cooling	2.5 kW
Electrical input - heating	2.6 kW
EER / AEER (cooling)	3.95 / 3.94
COP / ACOP (heating)	4.35 / 4.34
Unit Controller	UC8
Refrigerant	R410A
Refrigerant charge	2.1 kg
Compressor type	rotary
Water connections	3/4" male BSP
Nominal EWT/EAT on cooling	30°C / 27°C db, 19°C wb
Nominal EWT/EAT on heating	20°C / 20°C
Nominal Water Flow @ EWT – LWT = 5k	0.61 l/s
Entering system pressure drop @ nominal flow	41 kPa (6 psi)
Min. water temp. Heat cycle at nominal flow & EAT	10°C
Min. water temp. Cool cycle at nominal flow & EAT	15°C
Min. water temp. Cool cycle with water regulating valve	5°C
Max. EWT Heat cycle at nominal flow & EAT	30°C
Max. EWT Cool cycle at nominal flow & EAT	50°C
Min. water flow @ nominal EWT & EAT	0.18 l/s
Max. water pressure – excluding hoses	3200 kPa (464 psi)
Power supply	1 ph. 230V ac 50Hz
Compressor run amps at rating cond.	10 A
Compressor run capacitor	55 µfd
Indoor fan motor size	600 W (EC)
Indoor fan motor (1 ph.) - full load	2.1 A
Control circuit breaker (internal)	10 A
Running amps (total system)	11.0 A
Max. running amps (total system)	18.1 A
Net weight	116 kg

Accessories:

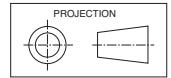
Spring mounts	supplied
Water hoses 600mm long, rated 1720 kPa (250psi)	3/4" female BSP, supplied
Replacement filter - rated EU2/G2	119-000-084 693x328x13
Condensate lift-pump	507-003-010

Optional:

SAT-3 Room temperature controller	201-000-146
TZT-100 Room temperature controller	201-000-350

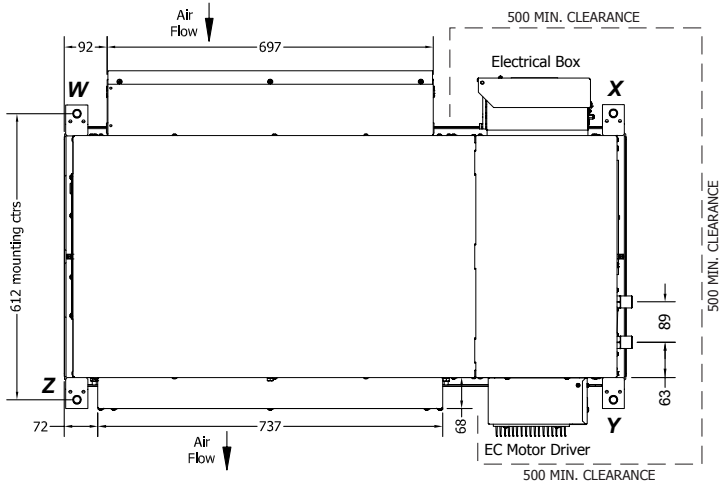
Refer to temperzone for other options, eg remote sensors

DIMENSIONS (mm)



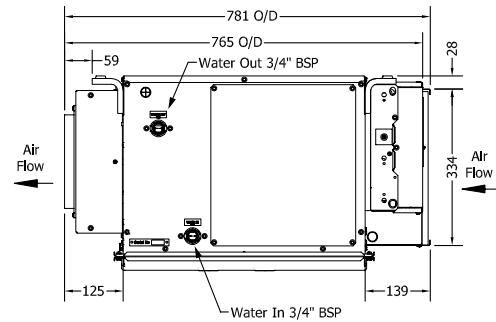
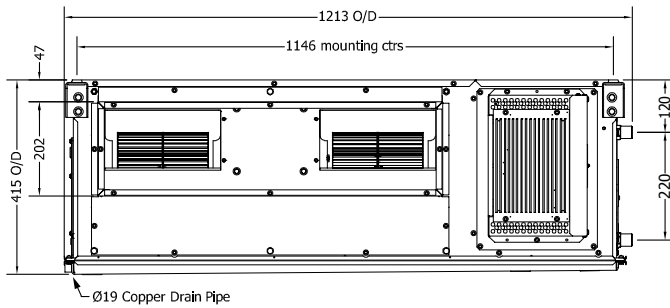
Not to Scale

HWP 98RKSYS Standard



POINT LOADS (kg)			
W	X	Y	Z
19	22	37	38

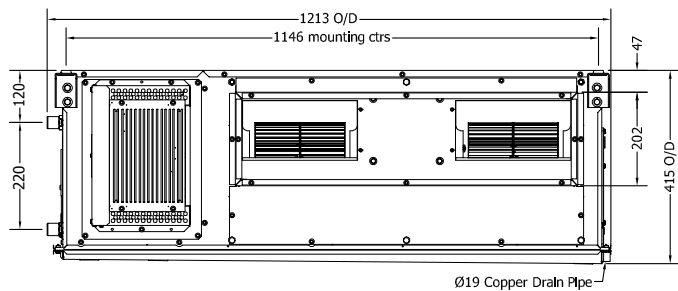
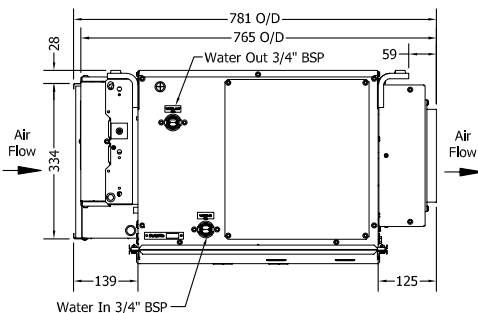
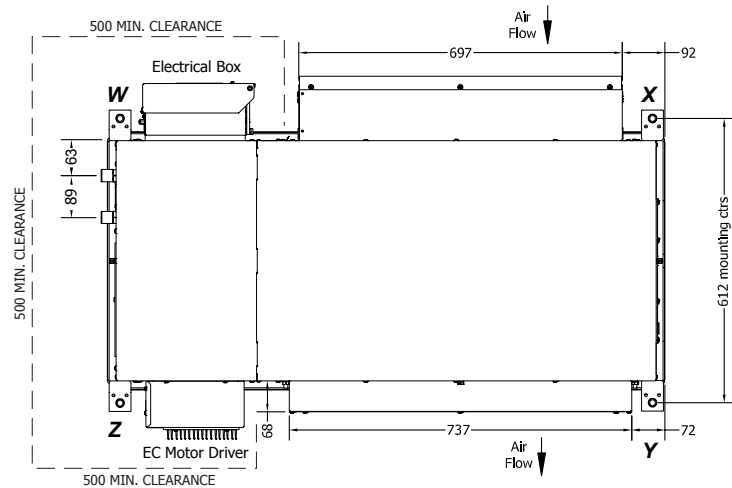
Note: Fan motor can be accessed from panel above, below or sides; no more than two panels at once.



HWP 98RKSYS Opposite Hand

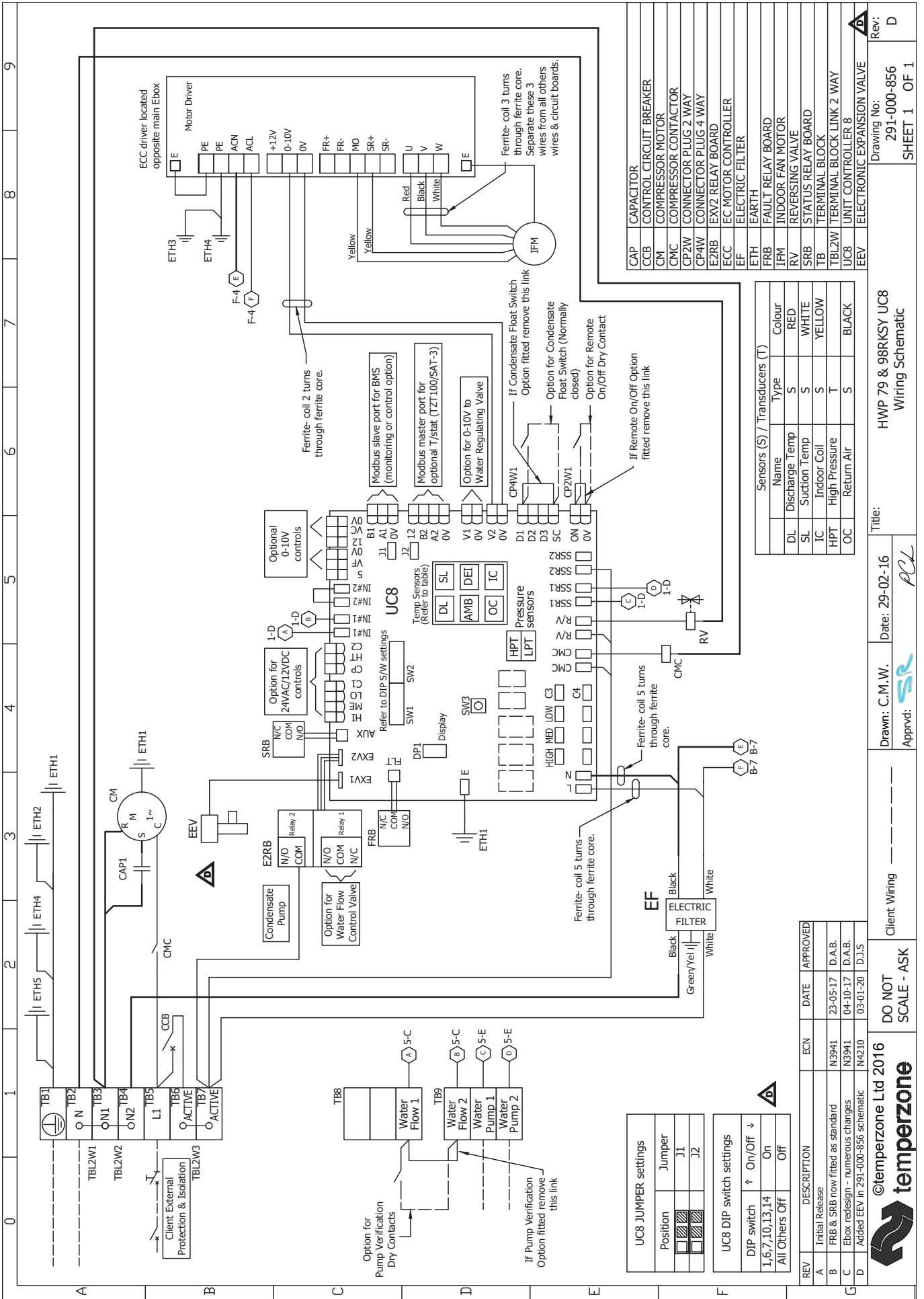
POINT LOADS (kg)			
W	X	Y	Z
22	19	38	37

Note: Fan motor can be accessed from panel above, below or sides; no more than two panels at once.



NOTE

Specifications are subject to change without notice due to the manufacturer's ongoing research and development programme.



Position	Jumper
1	J1
2	J2

DIP switch	On/Off
1,6,7,10,13,14	On
All Others	Off

REV	DESCRIPTION	ECN	DATE	APPROVED
A	Initial Release			
B	FRB & SRB now fitted as standard	N3941	23-05-17	D.A.B.
C	Ebox redesign - numerous changes	N3941	04-10-17	D.A.B.
D	Added EEV in 291-000-856 schematic	N4210	03-01-20	D.J.S



©temperzone Ltd 2016

DO NOT SCALE - ASK

Client Wiring

Drawn: C.M.W.

Date: 29-02-16

Title: HWP 79 & 98RKSX UC8 Wiring Schematic

Drawing No: 291-000-856
SHEET 1 OF 1
Rev: D

Symbol	Description
CAP	CAPACITOR
CCB	CONTROL CIRCUIT BREAKER
CM	COMPRESSOR MOTOR
CMC	COMPRESSOR CONTACTOR
CP2W	CONNECTOR PLUG 2 WAY
CP4W	CONNECTOR PLUG 4 WAY
E2RB	EX2 RELAY BOARD
ECC	EC MOTOR CONTROLLER
EF	ELECTRIC FILTER
ETH	EARTH
FRB	FAULT RELAY BOARD
I/FM	INDOOR FAN MOTOR
RV	REVERSING VALVE
SRB	STATUS RELAY BOARD
TB	TERMINAL BLOCK
TBL2W	TERMINAL BLOCK LINK 2 WAY
UC8	UNIT CONTROLLER 8
EEV	ELECTRONIC EXPANSION VALVE

Name	Type	Colour
DL	Discharge Temp	RED
SL	Suction Temp	WHITE
IC	Indoor Coil	YELLOW
HPT	High Pressure	T
OC	Return Air	BLACK

Model	HWP 98CEKSY
Item No. (Standard/Opposite Hand)	510-098-102 / 510-098-112
Cooling capacity (net) to AS/NZS 3823 T1	9.8 kW
Heating capacity - Electric heat	4.0 kW
Electrical input - cooling	2.5 kW
Electrical input - heating	4.3 kW
EER / AEER (cooling)	3.95 / 3.94
Unit Controller	UC8
Refrigerant	R410A
Refrigerant charge	2.1 kg
Compressor type	rotary
Water connections	3/4" male BSP
Nominal EWT on cooling	30°C
Nominal EAT on cooling	27°C db, 19°C wb
Nominal Water Flow @ EWT – LWT = 5k	0.61 l/s
Entering system pressure drop @ nominal flow	41 kPa (6 psi)
Min. water temp. Cool cycle at nominal flow & EAT	15°C
Min. water temp. Cool cycle with water regulating valve	5°C
Max. EWT Cool cycle at nominal flow & EAT	50°C
Min. water flow @ nominal EWT & EAT	0.18 l/s
Max. water pressure – excluding hoses	3200 kPa (464 psi)
Power supply	1 ph. 230V ac 50Hz
Compressor run amps at rating cond.	10 A
Compressor run capacitor	55 µfd
Indoor fan motor size	600 W (EC)
Indoor fan motor (1ph.) - full load	2.1 A
Control circuit breaker (internal)	10 A
Running amps (total system)	18.7 A
Max. running amps (total system)	19.5 A
Net weight	116 kg

Accessories:

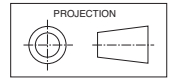
Spring mounts	supplied
Water hoses 600mm long, rated 1720 kPa (250psi)	3/4" female BSP, supplied
Replacement filter - rated EU2/G2	119-000-084 693x328x13
Condensate lift-pump	507-003-010

Optional:

SAT-3 Room temperature controller	201-000-146
TZT-100 Room temperature controller	201-000-350

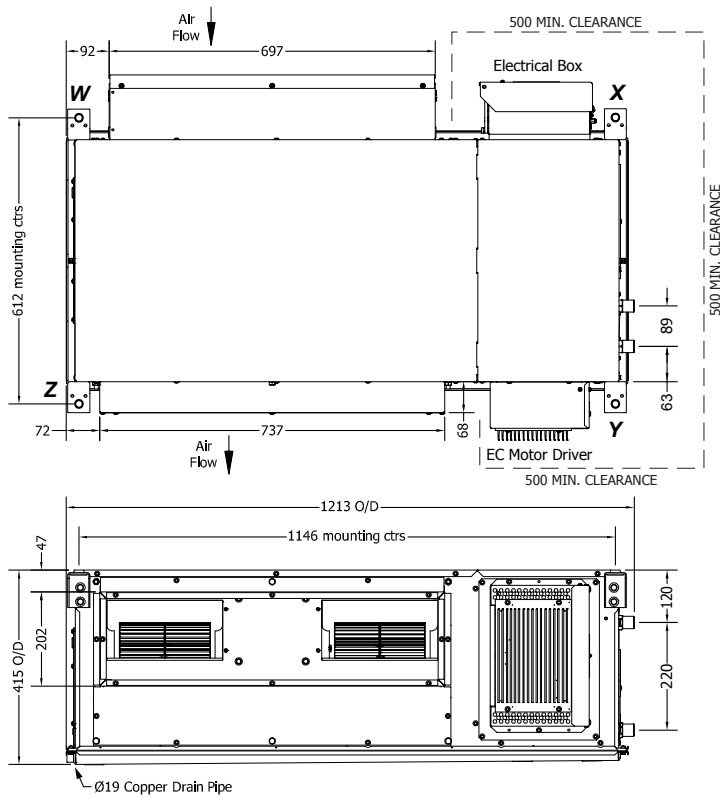
Refer to temperzone for other options, eg remote sensors

DIMENSIONS (mm)



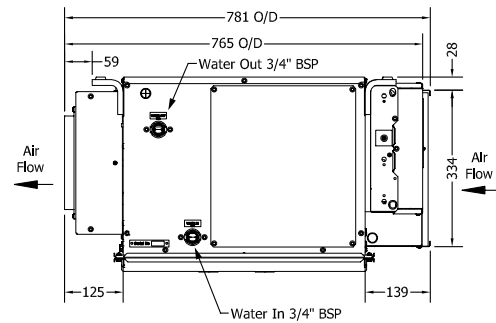
Not to Scale

HWP 98CEKSY Standard



POINT LOADS (kg)			
W	X	Y	Z
19	22	37	38

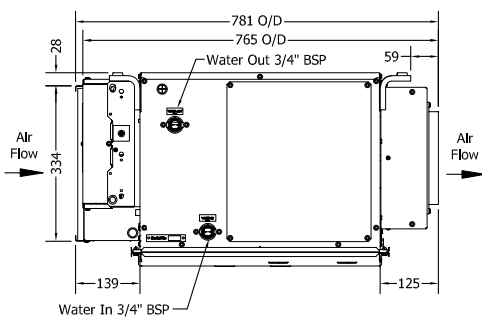
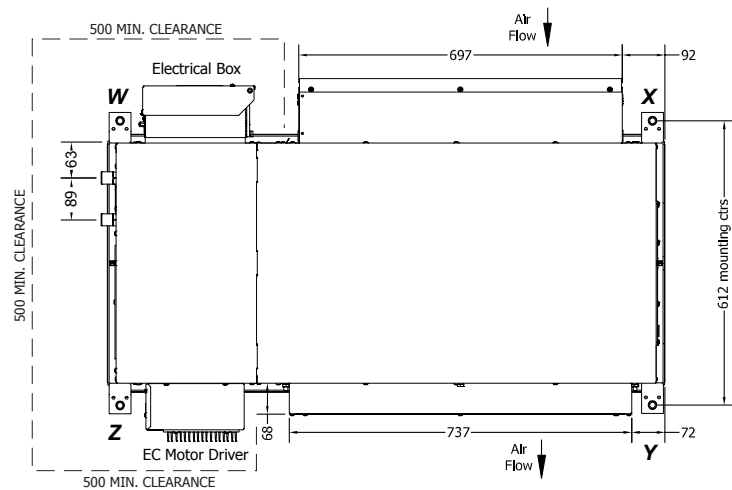
Note: Fan motor can be accessed from panel above, below or sides; no more than two panels at once.



HWP 98CEKSY Opposite Hand

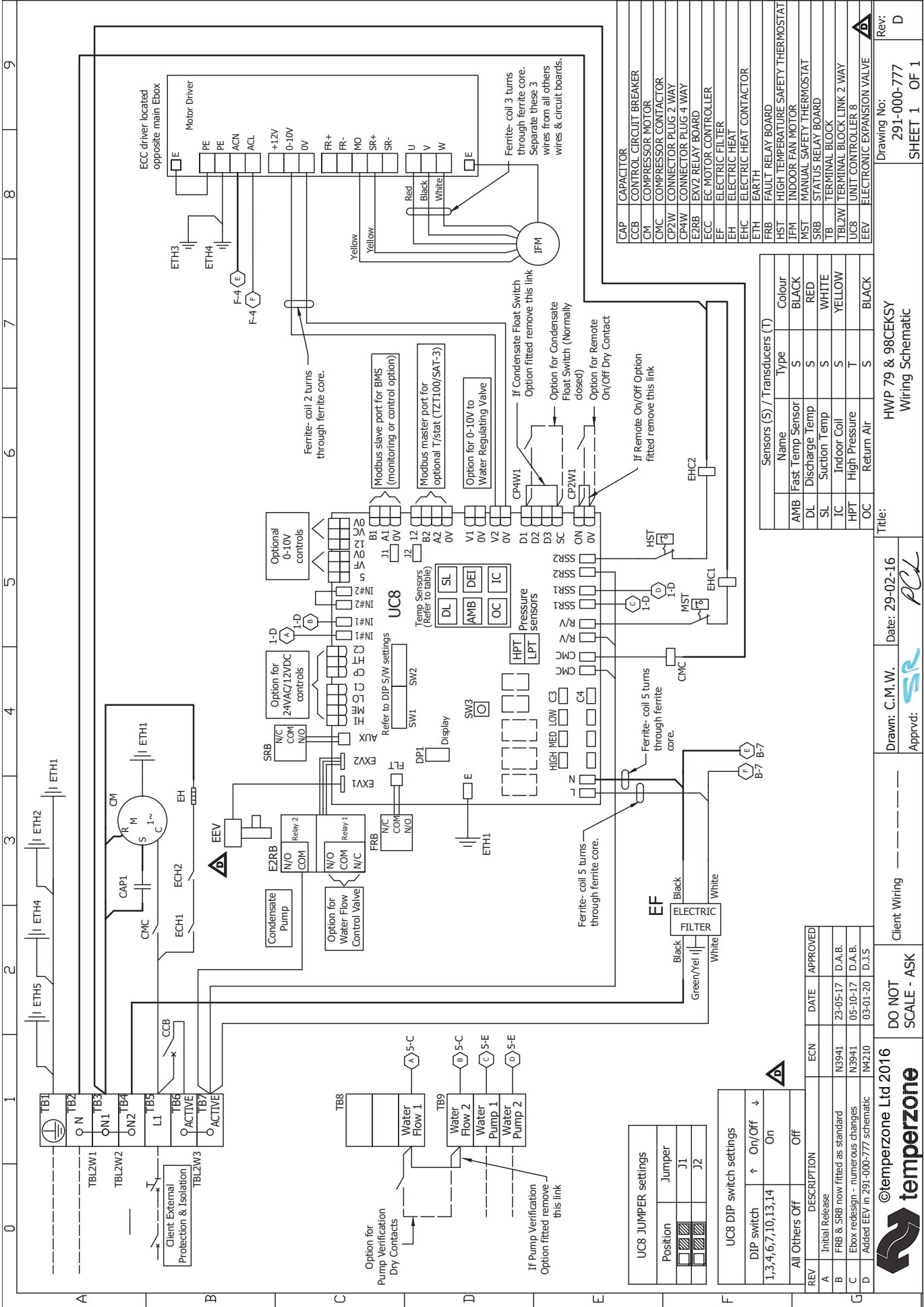
POINT LOADS (kg)			
W	X	Y	Z
22	19	38	37

Note: Fan motor can be accessed from panel above, below or sides; no more than two panels at once.



NOTE

Specifications are subject to change without notice due to the manufacturer's ongoing research and development programme.



CAP	CAPACITOR
CCB	CONTROL CIRCUIT BREAKER
CM	COMPRESSOR MOTOR
CMC	COMPRESSOR CONTACTOR
CP2W	CONNECTOR PLUG 2 WAY
CP4W	CONNECTOR PLUG 4 WAY
E2RB	EXV2 RELAY BOARD
ECC	EC MOTOR CONTROLLER
EF	ELECTRIC FILTER
EH	ELECTRIC HEAT
EHC	ELECTRIC HEAT CONTACTOR
ETH	EARTH
FRB	FAULT RELAY BOARD
HST	HIGH TEMPERATURE SAFETY THERMOSTAT
IFM	INDOOR FAN MOTOR
MST	MANUAL SAFETY THERMOSTAT
SRB	STATUS RELAY BOARD
TB	TERMINAL BLOCK
TBL2W	TERMINAL BLOCK LINK 2 WAY
UC8	UNIT CONTROLLER 8
EEV	ELECTRONIC EXPANSION VALVE

Sensors (S) / Transducers (T)		
Name	Type	Colour
AMB	Fast Temp Sensor	BLACK
DL	Discharge Temp	RED
SL	Suction Temp	WHITE
IC	Indoor Coil	YELLOW
HPT	High Pressure	T
OC	Return Air	BLACK

UC8 JUMPER settings	
Position	Jumper
<input type="checkbox"/>	J1
<input type="checkbox"/>	J2

UC8 DIP switch settings	
DIP switch	On/Off
1,3,4,6,7,10,13,14	On
All Others Off	Off

REV	DESCRIPTION	ECN	DATE	APPROVED
A	Initial Release			
B	FRB & SRB now fitted as standard	N3941	23-05-17	D.A.B.
C	Ebox redesign - numerous changes	N3941	05-10-17	D.A.B.
D	Added EEV in 291-000-777 schematic	N4210	03-01-20	D.J.S.

©temperzone Ltd 2016

DO NOT SCALE - ASK

Client Wiring

Drawn: C.M.W. Date: 29-02-16

Title: HWP 79 & 98CEKSY Wiring Schematic

Drawing No: 291-000-777 SHEET 1 OF 1

Rev: D

