

SPECIFICATIONS



| Model | HWP 142RKY |
|---|---------------------------|
| Item No. (Standard/Opposite Hand) | 510-142-001 / 510-142-011 |
| Cooling capacity (net) to AS/NZS 3823 T1 | 14.1 kW |
| Heating capacity H1 | 14.5 kW |
| Electrical input - cooling | 3.2 kW |
| Electrical input - heating | 3.3 kW |
| EER / AEER (cooling) | 4.45 / 4.44 |
| COP / ACOP (heating) | 4.36 / 4.35 |
| Unit Controller | UC8 |
| Refrigerant | R410A |
| Refrigerant charge | 1.87 kg |
| Compressor type | scroll |
| Water connections | 3/4" male BSP |
| Nominal EWT/EAT on cooling | 30°C / 27°C db, 19°C wb |
| Nominal EWT/EAT on heating | 20°C / 20°C |
| Nominal Water Flow @ EWT – LWT = 5k | 0.88 l/s |
| Entering system pressure drop @ nominal flow | 69 kPa (10 psi) |
| Min. water temp. Heat cycle at nominal flow & EAT | 10°C |
| Min. water temp. Cool cycle at nominal flow & EAT | 15°C |
| Min. water temp. Cool cycle with water regulating valve | 5°C |
| Max. EWT Heat cycle at nominal flow & EAT | 30°C |
| Max. EWT Cool cycle at nominal flow & EAT | 50°C |
| Min. water flow @ nominal EWT & EAT | 0.24 l/s |
| Max. water pressure – excluding hoses | 3200 kPa (464psi) |
| Power supply | 3 ph. 400V ac 50Hz |
| Compressor run amps at rating cond. | 4.6 A/ph. |
| Indoor fan motor size | 600 W (EC) |
| Indoor fan motor (1ph.) - full load | 3.4 A |
| Control circuit breaker (internal) | 10 A |
| Running amps (total system) | 6.0 / 4.6 / 4.6 A |
| Max. running amps (total system) | 10.6 / 7.2 / 7.2 A |
| Net weight | 143 kg |

Accessories:

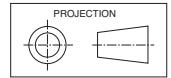
| | |
|---|---------------------------|
| Spring mounts | supplied |
| Water hoses 600mm long, rated 1720 kPa (250psi) | 3/4" female BSP, supplied |
| Replacement filter - rated EU2/G2 | 119-000-099 763x405x13 |
| Condensate lift-pump | 507-003-010 |

Optional:

| | |
|-------------------------------------|-------------|
| SAT-3 Room temperature controller | 201-000-146 |
| TZT-100 Room temperature controller | 201-000-350 |

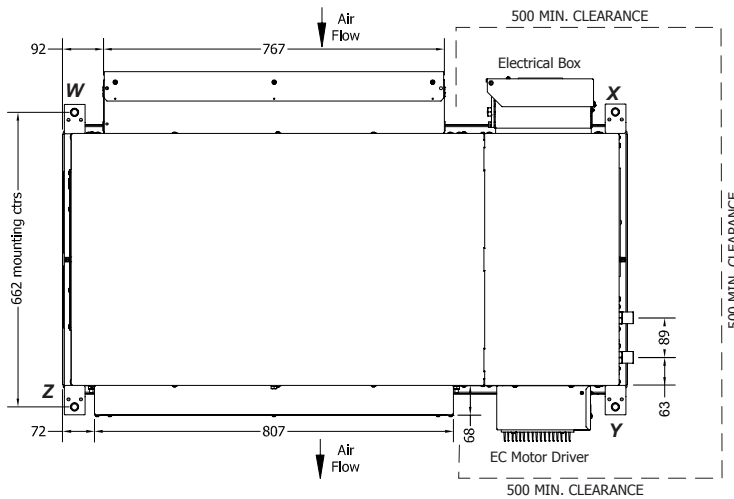
Refer to temperzone for other options, eg remote sensors

DIMENSIONS (mm)



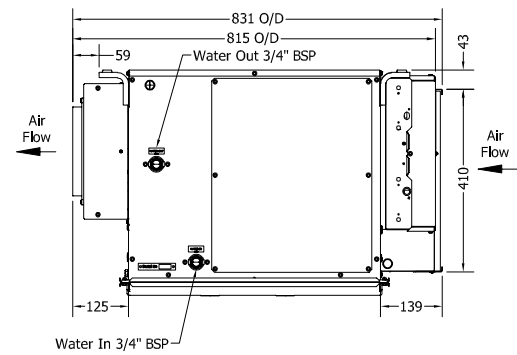
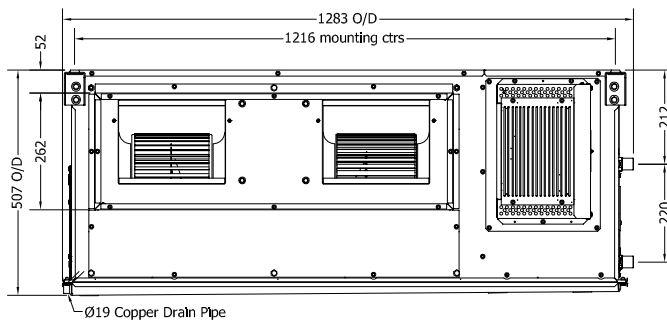
Not to Scale

HWP 142RKTY Standard



| POINT LOADS (kg) | | | |
|------------------|----|----|----|
| W | X | Y | Z |
| 28 | 53 | 39 | 23 |

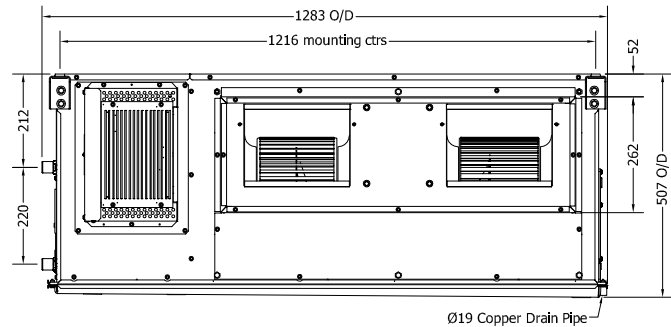
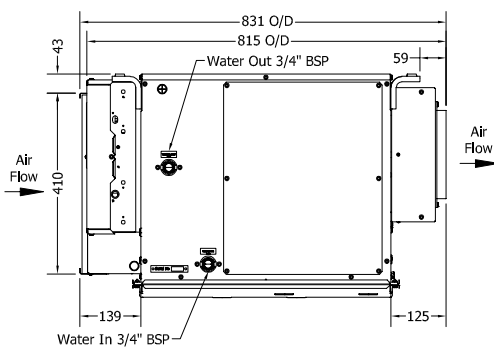
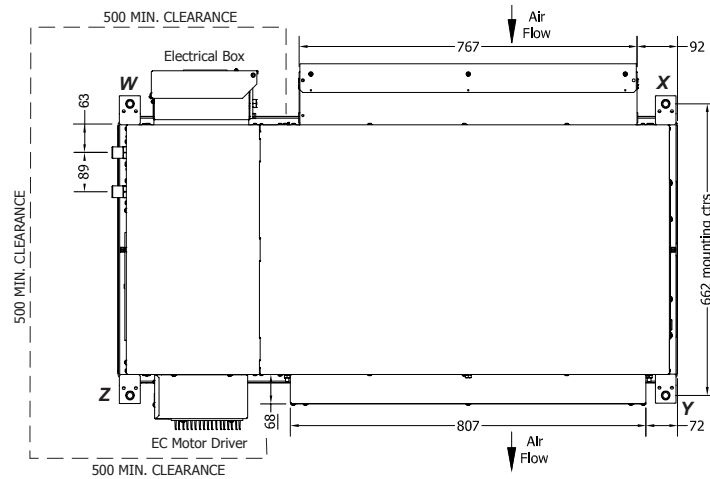
Note: Fan motor can be accessed from panel above, below or sides; no more than two panels at once.



HWP 142RKTY Opposite Hand

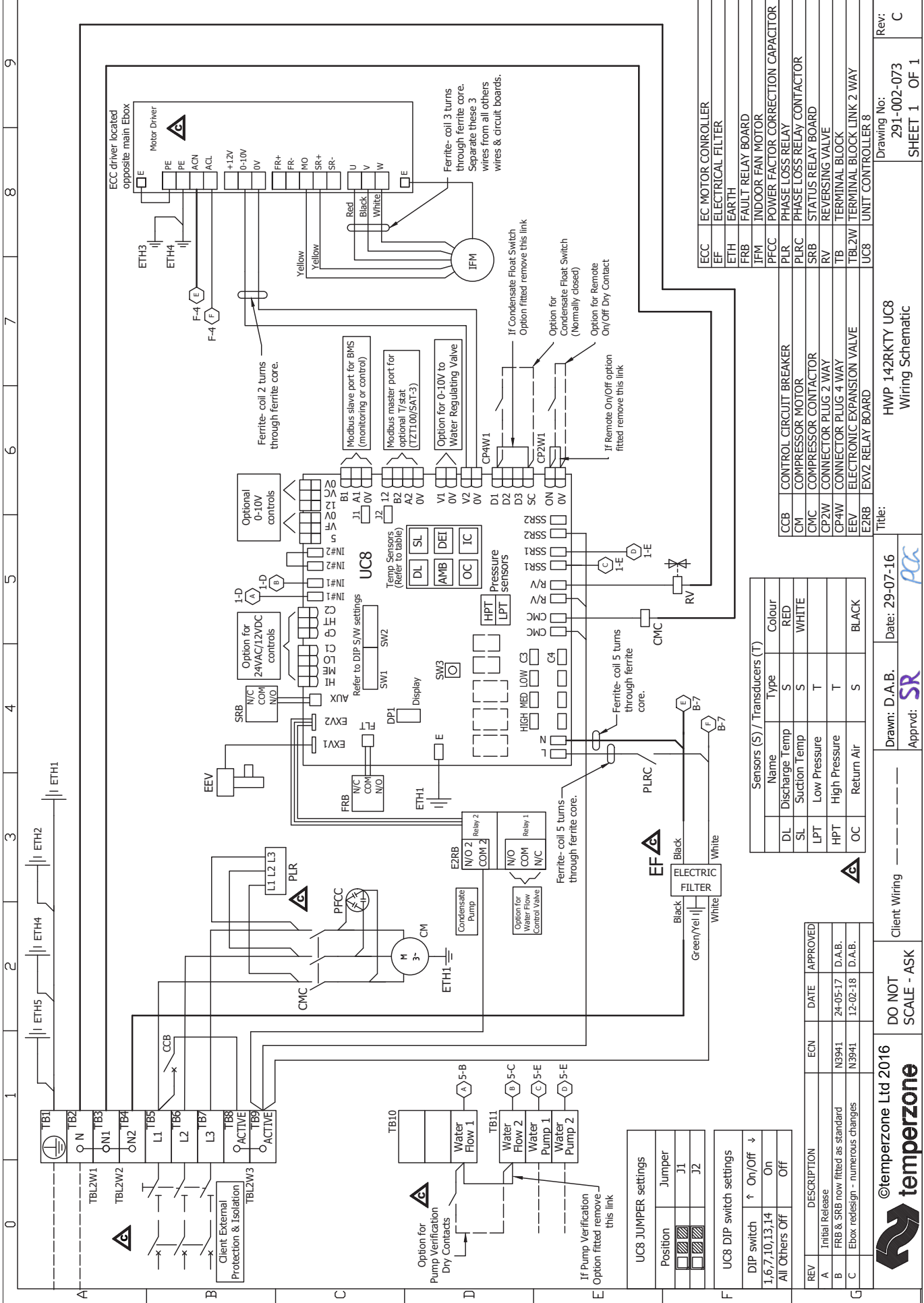
| POINT LOADS (kg) | | | |
|------------------|----|----|----|
| W | X | Y | Z |
| 39 | 28 | 23 | 53 |

Note: Fan motor can be accessed from panel above, below or sides; no more than two panels at once.



NOTE

Specifications are subject to change without notice due to the manufacturer's ongoing research and development programme.



Drawing No: 291-002-073
 SHEET 1 OF 1
 Rev: C
 Title: HWP 142RKTU UC8 Wiring Schematic
 Date: 29-07-16
 Drawn: D.A.B.
 Approved: SR
 Client Wiring
 DO NOT SCALE - ASK
 ©temperzone Ltd 2016
temperzone

SPECIFICATIONS



| Model | HWP 142CEKTY |
|---|---------------------------|
| Item No. (Standard / Opposite Hand) | 510-142-102 / 510-142-112 |
| Cooling capacity (net) to AS/NZS 3823 T1 | 14.1 kW |
| Heating capacity - Electric heat | 6.0 kW |
| Electrical input - cooling | 3.2 kW |
| Electrical input - heating | 6.4 kW |
| EER / AEER (cooling) | 4.45 / 4.44 |
| Unit Controller | UC8 |
| Refrigerant | R410A |
| Refrigerant charge | 1.87 kg |
| Compressor type | scroll |
| Water connections | 3/4" male BSP |
| Nominal EWT on cooling | 30°C |
| Nominal EAT on cooling | 27°C db, 19°C wb |
| Nominal Water Flow @ EWT – LWT = 5k | 0.88 l/s |
| Entering system pressure drop @ nominal flow | 69 kPa (10 psi) |
| Min. water temp. Cool cycle at nominal flow & EAT | 15°C |
| Min. water temp. Cool cycle with water regulating valve | 5°C |
| Max. EWT Cool cycle at nominal flow & EAT | 50°C |
| Min. water flow @ nominal EWT & EAT | 0.24 l/s |
| Max. water pressure – excluding hoses | 3200 kPa (464 psi) |
| Power supply | 3 ph. 400V ac 50Hz |
| Compressor (3ph.) run amps at rating cond. | 4.6 A/ph. |
| Indoor fan motor size | 600 W (EC) |
| Indoor fan motor (1ph.) - full load | 3.4 A |
| Control circuit breaker (internal) | 10 A |
| Running amps (total system) | 1.9 / 13 / 13 A |
| Max. running amps (total system) | 10.6 / 13 / 13 A |
| Net weight | 143 kg |

Accessories:

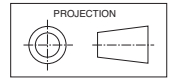
| | |
|---|---------------------------|
| Spring mounts | supplied |
| Water hoses 600mm long, rated 1720 kPa (250psi) | 3/4" female BSP, supplied |
| Replacement filter - rated EU2/G2 | 119-000-099 763x405x13 |
| Condensate lift-pump | 507-003-010 |

Optional:

| | |
|-------------------------------------|-------------|
| SAT-3 Room temperature controller | 201-000-146 |
| TZT-100 Room temperature controller | 201-000-350 |

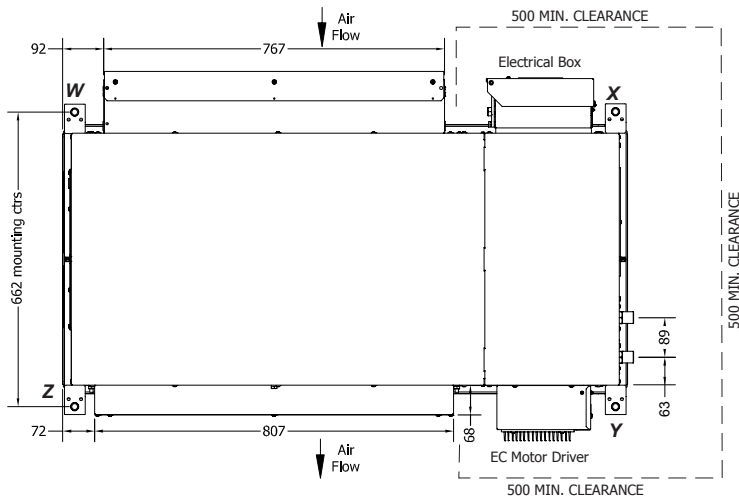
Refer to temperzone for other options, eg remote sensors

DIMENSIONS (mm)



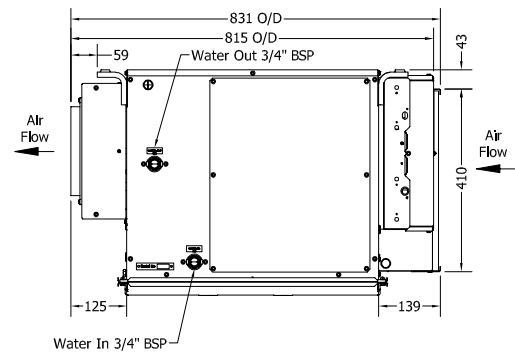
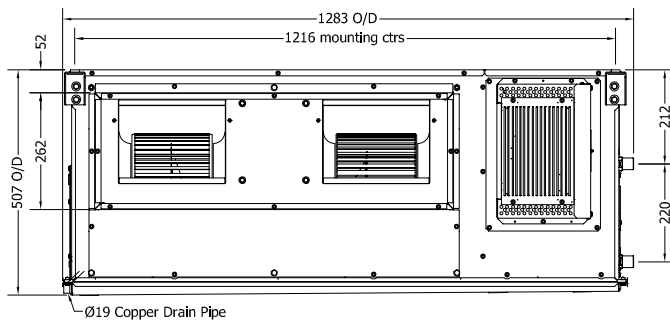
Not to Scale

HWP 142CEKTY Standard



| POINT LOADS (kg) | | | |
|------------------|----|----|----|
| W | X | Y | Z |
| 23 | 53 | 39 | 23 |

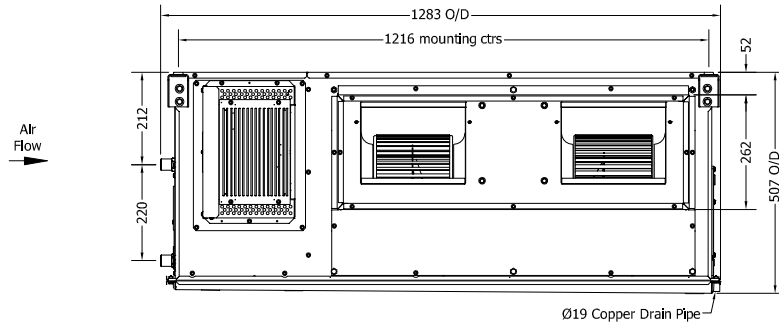
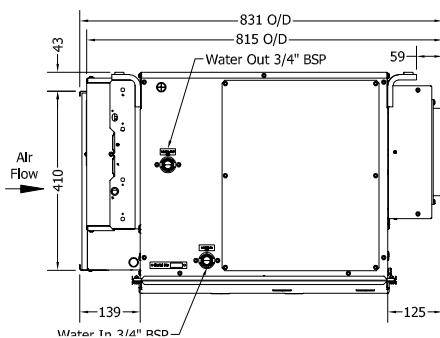
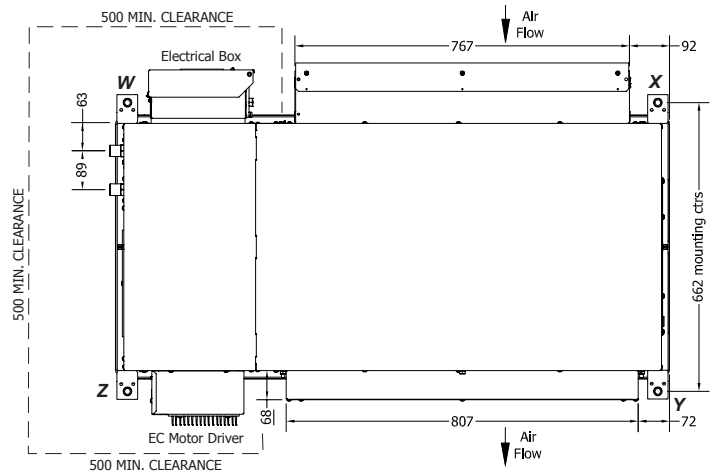
Note: Fan motor can be accessed from panel above, below or sides; no more than two panels at once.



HWP 142CEKTY Opposite Hand

| POINT LOADS (kg) | | | |
|------------------|----|----|----|
| W | X | Y | Z |
| 39 | 28 | 23 | 53 |

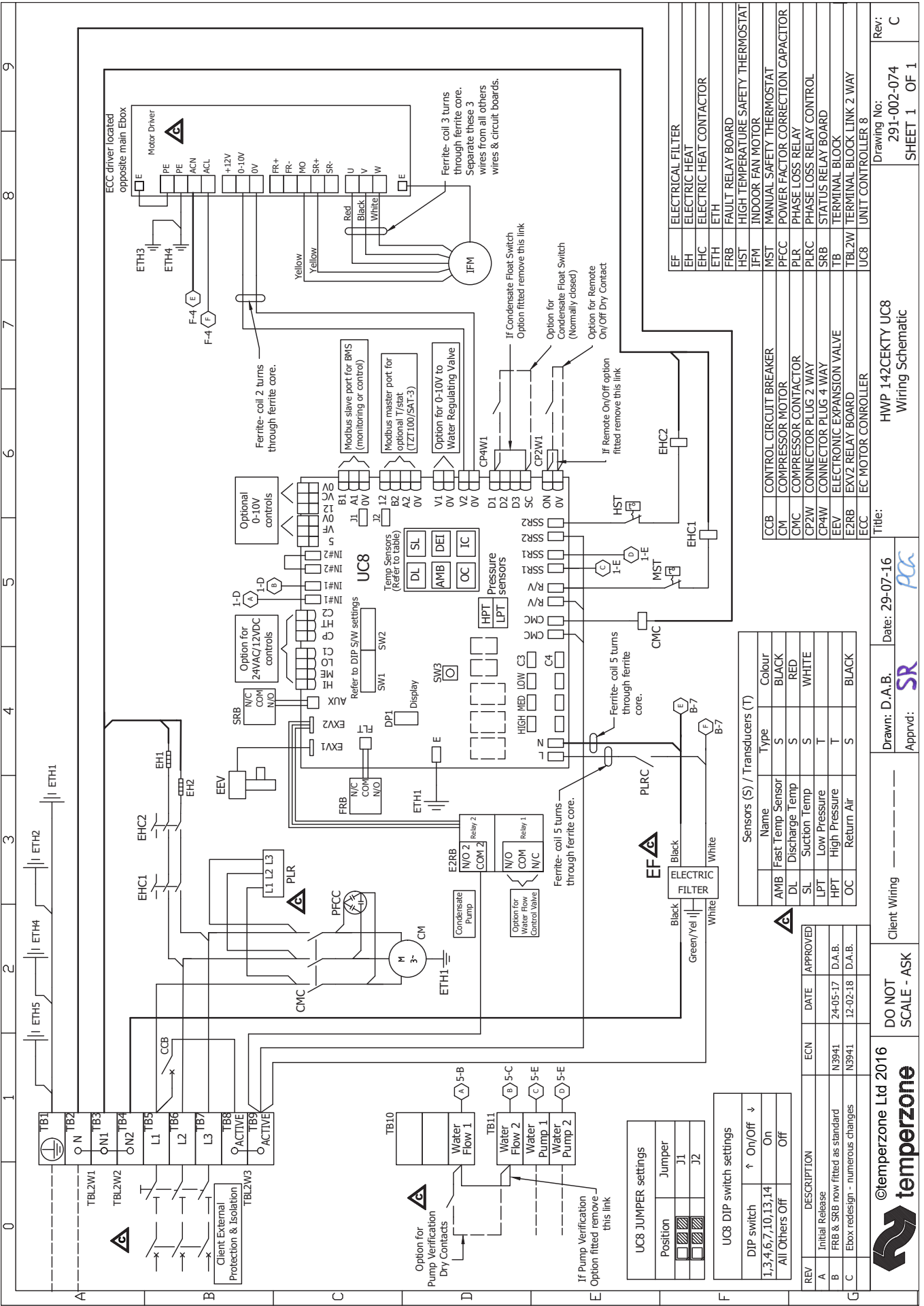
Note: Fan motor can be accessed from panel above, below or sides; no more than two panels at once.



NOTE

Specifications are subject to change without notice due to the manufacturer's ongoing research and development programme.





UC8 JUMPER settings

| Position | Jumper |
|----------|--------|
| J1 | On |
| J2 | Off |

UC8 DIP switch settings

| DIP switch | On/Off |
|--------------------|--------|
| 1,3,4,6,7,10,13,14 | On |
| All Others | Off |

| REV | DESCRIPTION | ECN | DATE | APPROVED |
|-----|----------------------------------|-------|----------|----------|
| A | Initial Release | | | |
| B | FRB & SRB now fitted as standard | N3941 | 24-05-17 | D.A.B. |
| C | Ebox redesign - numerous changes | N3941 | 12-02-18 | D.A.B. |

Sensors (S) / Transducers (T)

| Name | Type | Colour |
|------|------------------|--------|
| AMB | Fast Temp Sensor | BLACK |
| DL | Discharge Temp | RED |
| SL | Suction Temp | WHITE |
| LPT | Low Pressure | T |
| HPT | High Pressure | T |
| OC | Return Air | BLACK |

| | |
|-------|------------------------------------|
| EF | ELECTRICAL FILTER |
| EH | ELECTRIC HEAT |
| EHC | ELECTRIC HEAT CONTACTOR |
| ETH | ETH |
| FRB | FAULT RELAY BOARD |
| HST | HIGH TEMPERATURE SAFETY THERMOSTAT |
| IFM | INDOOR FAN MOTOR |
| MST | MANUAL SAFETY THERMOSTAT |
| PFCC | POWER FACTOR CORRECTION CAPACITOR |
| PLR | PHASE LOSS RELAY |
| PLRC | PHASE LOSS RELAY CONTROL |
| SRB | STATUS RELAY BOARD |
| TB | TERMINAL BLOCK |
| TBL2W | TERMINAL BLOCK LINK 2 WAY |
| ECC | EC MOTOR CONTROLLER |

©temperzone Ltd 2016

temperzone

DO NOT SCALE - ASK

Client Wiring

Drawn: D.A.B. Date: 29-07-16

Approved: *SR*

HWP 142CEKTY UC8
Wiring Schematic

Title:

ECN

Rev: C

291-002-074
SHEET 1 OF 1

