

PRODUCT BROCHURE

SMARTEMP[®]
IN COMFORT



Circular Nozzle
CNW-AD

CNW-AD : 042024

smartemp.com

DESCRIPTION

The SMARTEMP® Circular Nozzle, type CNW-AD (figure 1), provides side-blow discharge from walls or bulkheads. Supply air is discharged as a jet with substantial momentum, due to the high discharge velocity, thereby creating a stable trajectory over extremely long throws.

The nozzle of the CNW-AD is housed in a truncated sphere that may be swivelled by up to 30° in any direction (manual adjustment only) from its central location, providing an arc of rotation of up to 60° (figure 2). Swivel adjustment is manual, with self-acting thermostatic element, or electrically powered. The latter is typically used to swivel the nozzle upwards in cooling mode and downwards in heating mode.

If the nozzle is equipped with a self-acting thermostatic element, the total arc of rotation is 40°, attained by setting the range of rotation to one of the following arcs: -30° to +10°, -20° to +20°, -10° to +30°.

The nozzle may optionally be equipped with a swirl element to reduce throw. The CNW-AD provides throws of up to 50 m and may be operated at a supply-to-room temperature differential of up to -12 K when cooling and up to +10 K when heating.

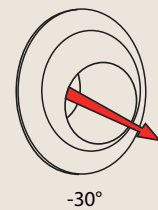
Visible components are made of aluminium, which are powder coated.

Installation

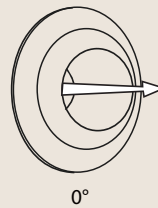
The CNW-AD is supplied with a circular spigot for direct connection to a round duct. Alternatively, it may be mounted to a side wall or into a bulkhead. Concealed mounting points are located behind a removable ring that covers the circular mounting flange.



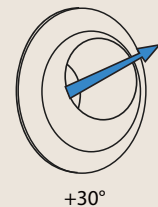
Figure 1



-30°



0°



+30°

Figure 2

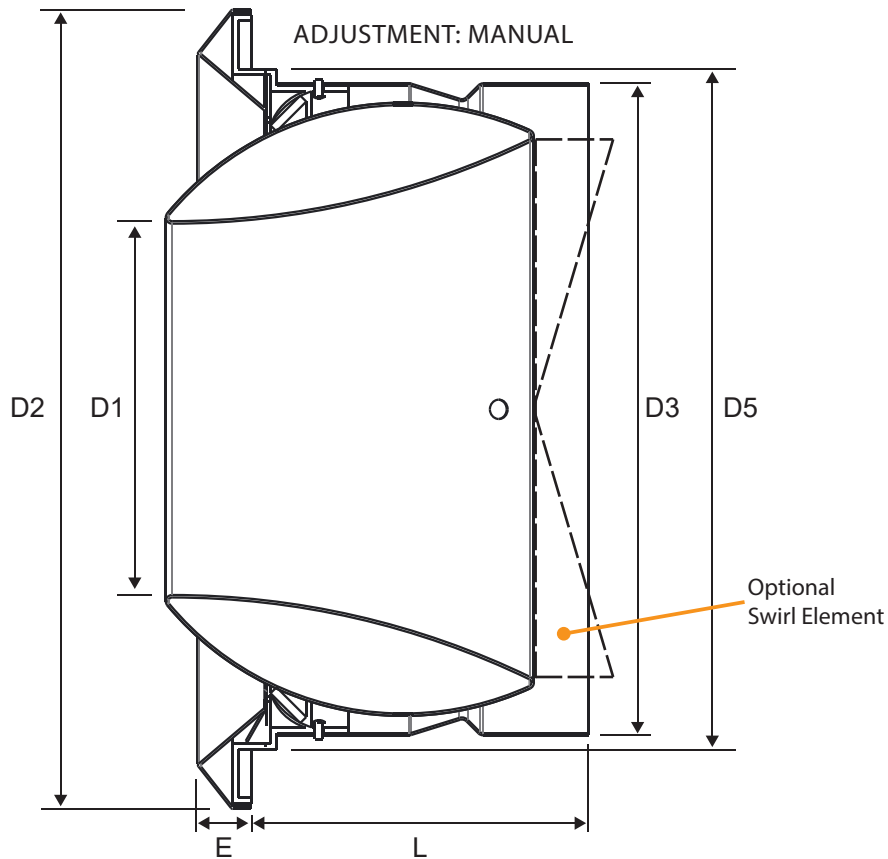
TECHNICAL DATA

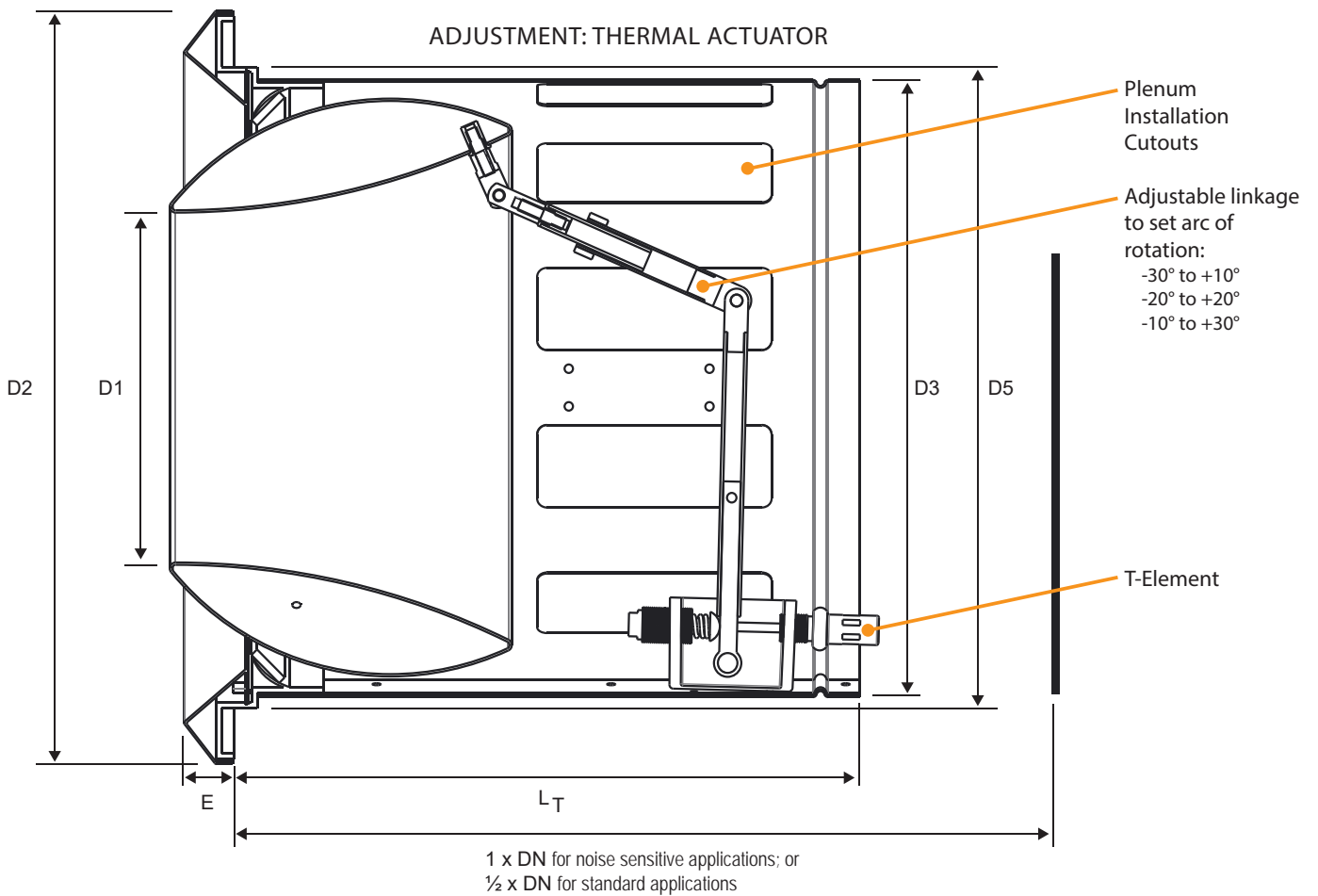
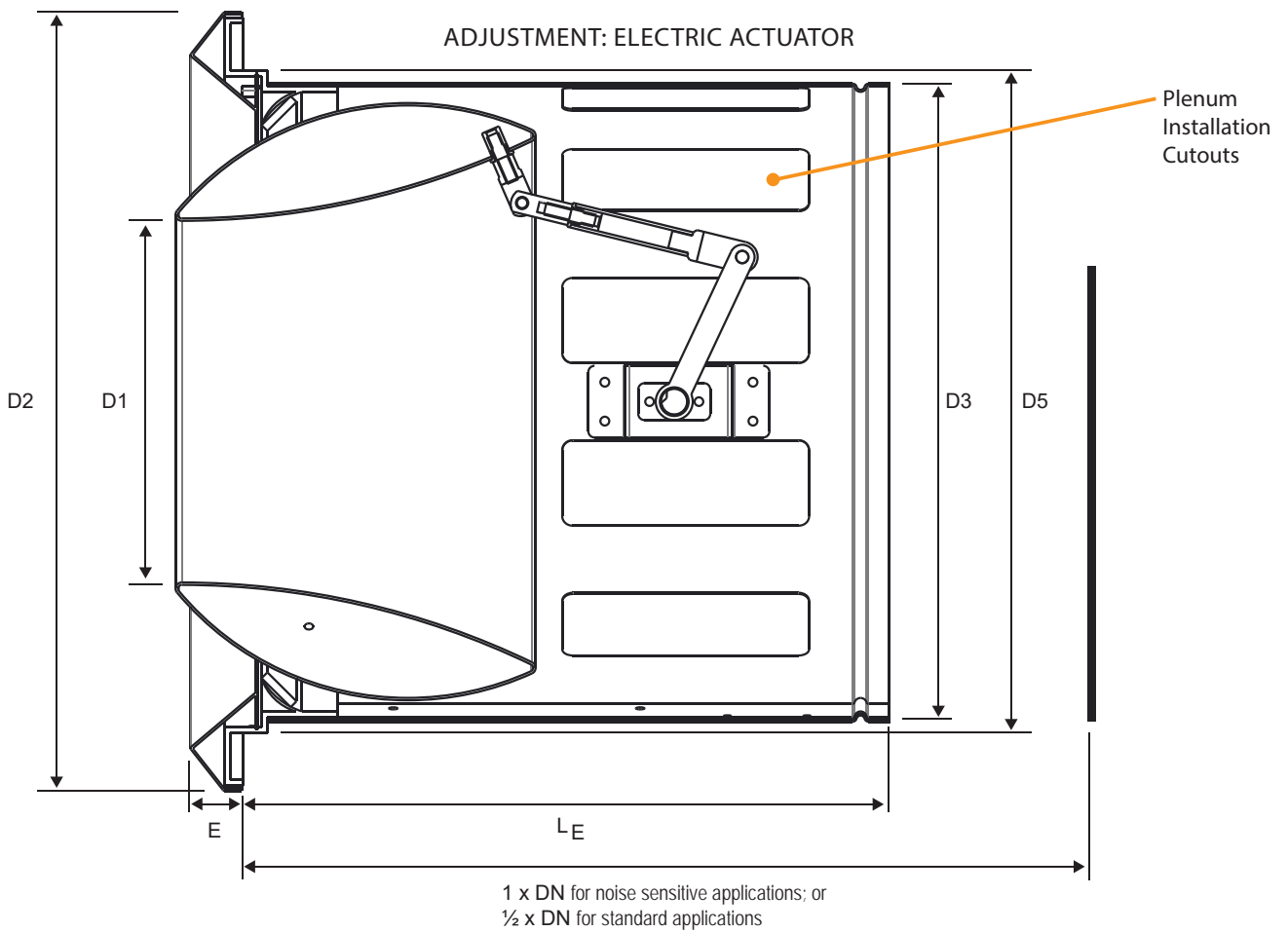
DIMENSIONS

DN	D3 [mm]	D1 [mm]	D2 [mm]	L [mm]	E [mm]	L _{E/T} [mm]	D5 [mm] (wall cut-out)	Weight (manual version) [kg]
200	198	108	257	140	20	n/a	218	1.3
250	248	136	302	164	24	340	268	2.0
315	313	174	384	177	24	340	333	2.4
400	398	230	467	194	24	340	418	3.4
500	498	295	600	258	28	415	518	7.9
630	628	377	733	240	32	460	648	9.0

Minimum Spacing Between Nozzles		DN200	DN250	DN315	DN400	DN500	DN630
Min centreline distance [m]	Non-swirl [S0]	0.32	0.41	0.52	0.69	0.89	1.13
	With swirl [S1]	-	0.54	0.7	0.92	1.18	1.51

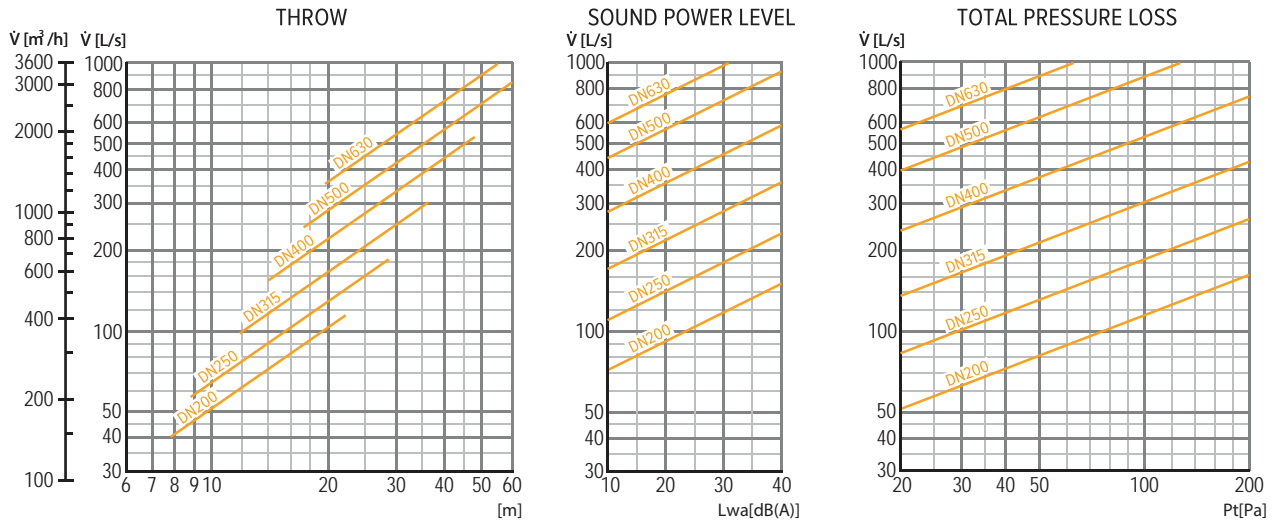
Products supplied may differ slightly from those described in this technical brochure due to on-going product development.



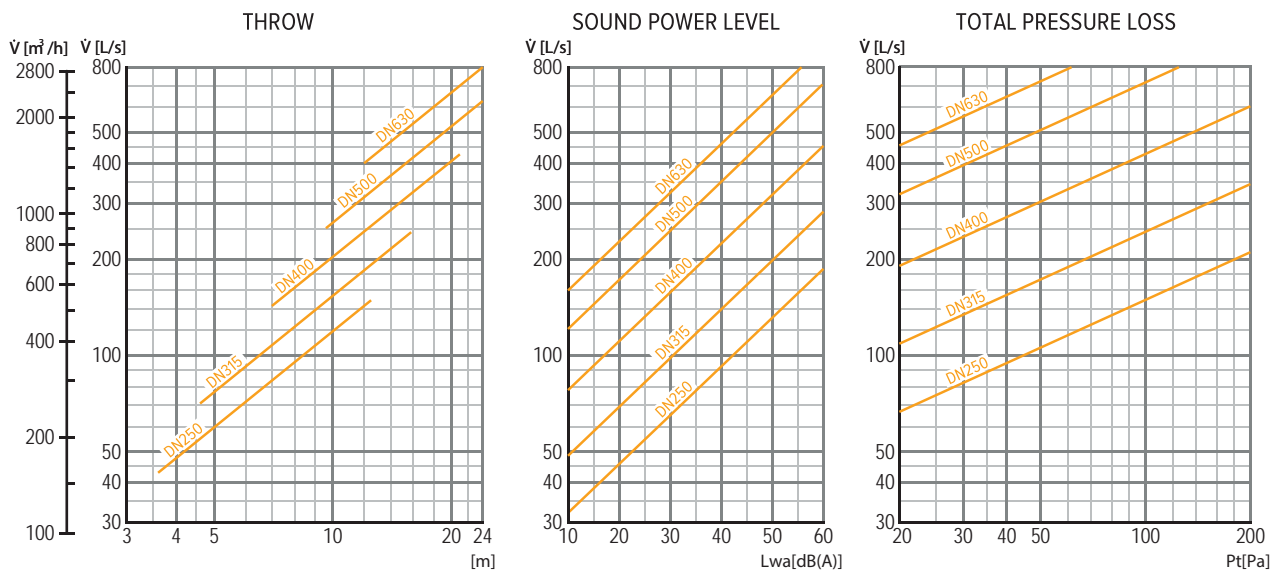


Quick selection guide. Refer to the online selection tool for detailed selections.

NOZZLE WITHOUT SWIRL ELEMENT [TYPE S0]



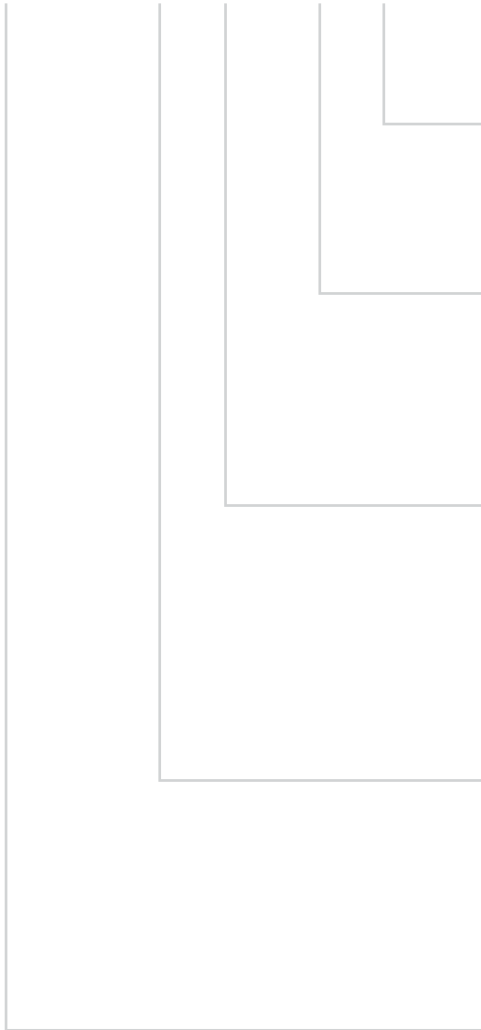
NOZZLE WITH SWIRL ELEMENT [TYPE S1]



The graphs above give a guide for selecting the size of jet nozzles. The values shown are valid for an isothermal, single, free horizontal jet.

ORDER DETAILS

CNW-AD-DN ___ - ___ -S ___ - ___



SURFACE FINISH:

- 9003* = Face powder coated to RAL 9003 (Signal White)
- ___ = Face powder coated to RAL ___

SWIRL:

- 0* = None
- 1 = Swirl Element (sizes DN250-630 only)

ADJUSTMENT:

- M* = Manually Adjustable
- E1 = Electric Actuator 24V, 0-10V (sizes DN250-630 only)
- E2 = Electric Actuator 24V, 3pt (sizes DN250-630 only)
- T = Thermal actuator (self powered) (sizes DN250-630 only)

NOMINAL DIAMETER:

- 200
- 250
- 315
- 400
- 500
- 630

MODEL:

- Circular Nozzle Wall - Adjustable Direction

Note:

* Standard, if no type code entered.

Products supplied may differ slightly from those described in this technical brochure due to on-going product development.

Tender Text

The SMARTEMP Circular Nozzle, type CNW-AD, shall be suitable for long throw distances with optimum acoustic properties, preferably used for heating and cooling in comfort areas. The adjustment facility –manual or electric– allows variation in discharge angle to compensate for changing temperature differences, adjustment angular range 30° upwards to 33 ° downwards. The construction consists of a discharge nozzle with spherical outlet mounted in a housing, a mounting flange and round rear connection spigot for direct connection to a circular duct.



For additional information, please contact info@smartemp.com

We strive to continually improve SMARTEMP products. Brochures and marketing material are subject to change without notice and may not reflect the most recent product variants. Please contact us or consult your SMARTEMP sales representative for current specifications or more detailed information. Not all products may be available in all geographic regions.

Applicable Patents and Trade Marks can be viewed at smartemp.com/patents

Not to be reproduced, wholly or in part, without the written permission of SMARTAIR DIFFUSION Pty. Ltd.

® SMARTEMP is a registered trade mark. © 2024.