

SPECIFICATIONS



Model	HWP 275RKY
Item No. (Standard / Opposite Hand)	510-275-001 / 510-275-011
Cooling capacity (net) to AS/NZS 3823 T1	26.7 kW
Heating capacity H1	24.6 kW
Electrical input - cooling	5.9 kW
Electrical input - heating	5.6 kW
EER / AEER (cooling)	4.48 / 4.47
COP / ACOP (heating)	4.37 / 4.36
Unit Controller	UC8
Refrigerant	R410A
Refrigerant charge	3.5 kg
Compressor type	scroll
Water connections	1" male BSP
Nominal EWT on cooling	30°C
Nominal EWT on heating	21°C
Nominal Water Flow @ EWT – LWT = 5k	1.63 l/s
Entering system pressure drop @ nominal flow	55 kPa (8 psi)
Min. water temp. Heat cycle at nominal flow	10°C
Min. water temp. Cool cycle at nominal flow	15°C
Min. water temp. Cool cycle with water flow control valve	5°C
Max. EWT Heat cycle at nominal flow	30°C
Max. EWT Cool cycle at nominal flow	50°C
Min. water flow @ nominal EWT	0.46 l/s
Max. water pressure – excluding hoses	3200 kPa (464psi)
Power supply	3 ph. 400V ac 50Hz
Compressor run amps at rating cond.	9 A/ph.
Indoor fan motor size	900 W
Indoor fan motor (1ph.) - full load	5 A
Control circuit breaker (internal)	10 A
Running amps (total system)	13 / 9.5 / 9.5 A
Max. running amps (total system)	15.5 / 13 / 13 A
Net weight	192 kg

Accessories:

Spring mounts	supplied
Water hoses 800mm long, rated 2070 kPa (300 psi)	1" female BSP, supplied
Replacement filter EU2 rated (2 required)	119-000-105 799x405x13
Condensate lift-pump	507-003-010

Optional:

SAT-3 Room temperature controller	201-000-146
TZT-100 Room temperature controller	201-000-350

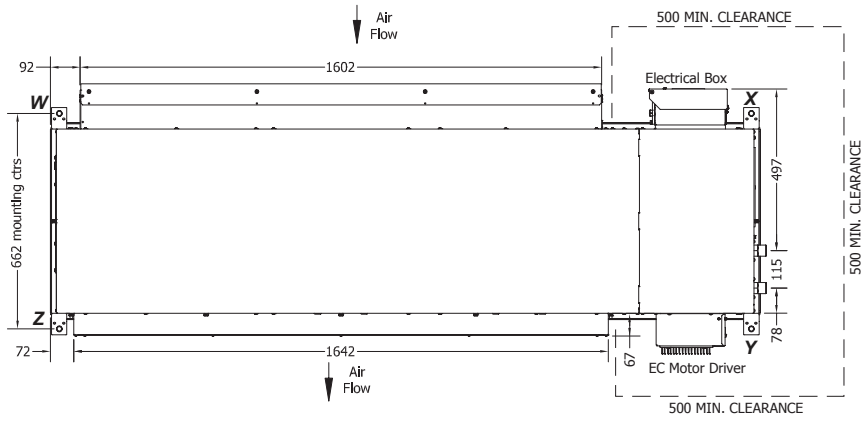
Refer to temperzone for other options, eg remote sensors

DIMENSIONS (mm)



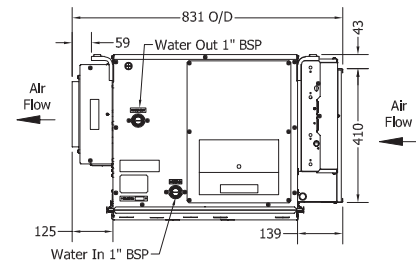
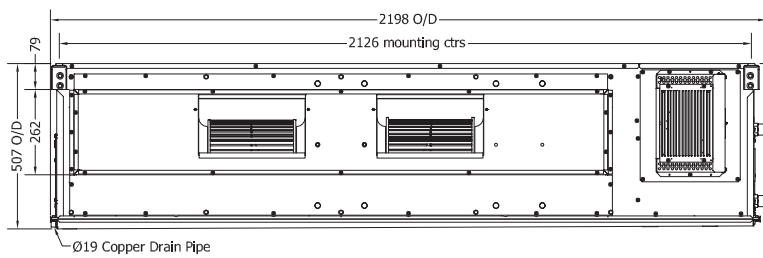
Not to Scale

HWP 275RKTY Standard



POINT LOADS (kg)			
W	X	Y	Z
39	63	62	28

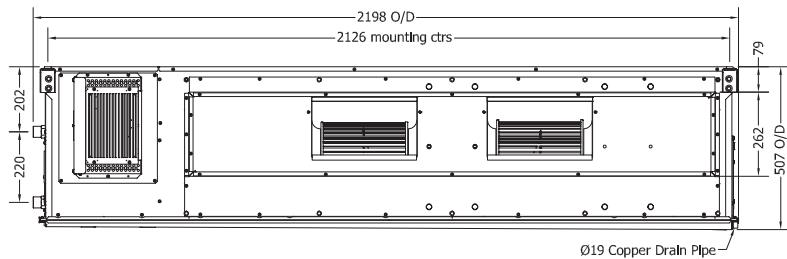
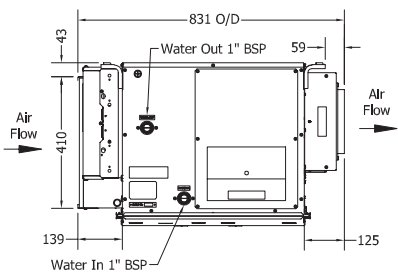
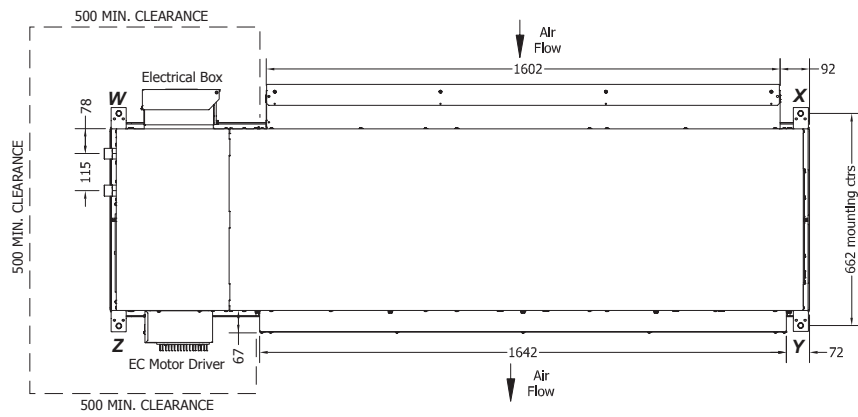
Note: Fan motor can be accessed from panel above, below or sides; no more than two panels at once.



HWP 275RKTY Opposite Hand

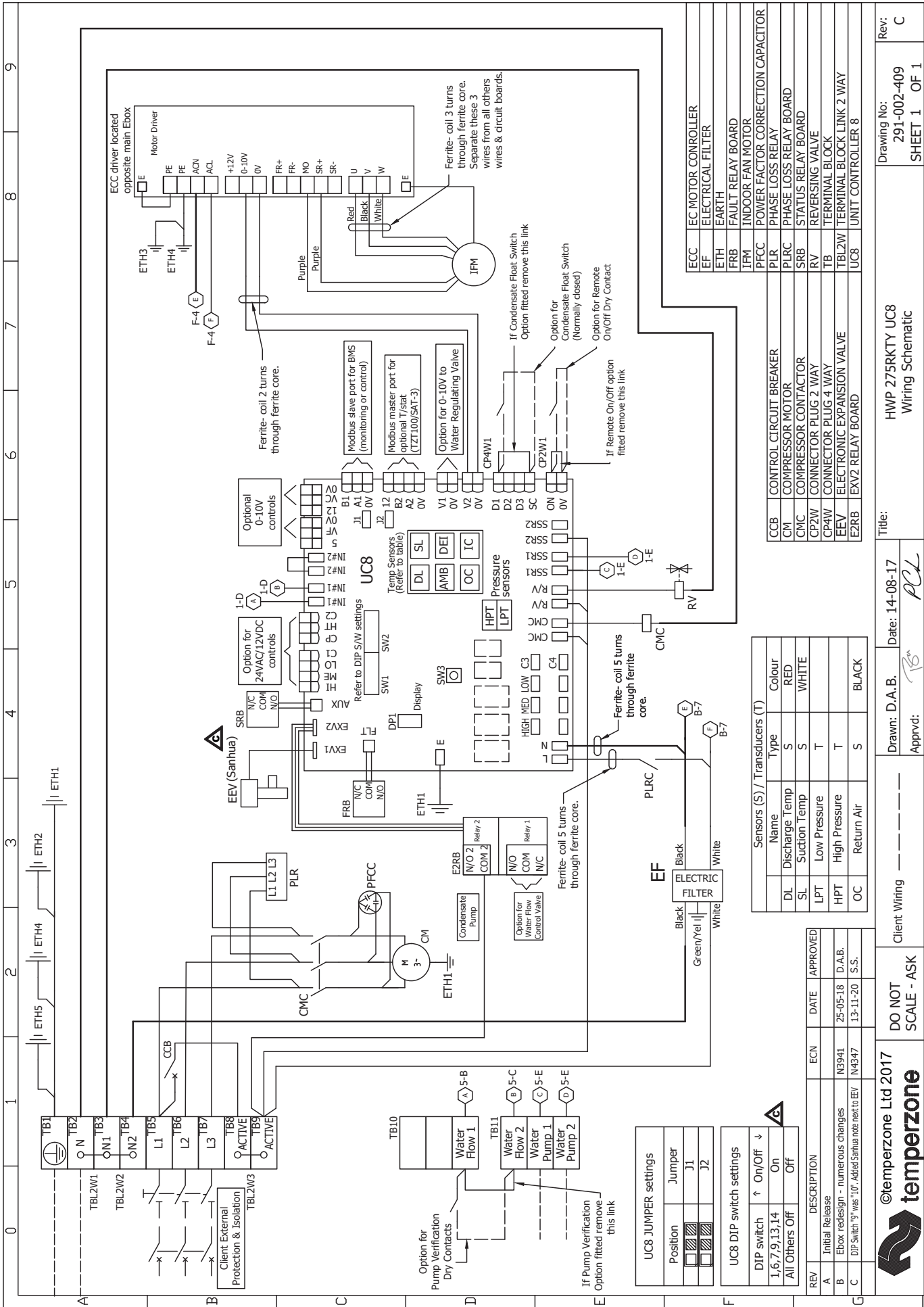
POINT LOADS (kg)			
W	X	Y	Z
62	39	28	63

Note: Fan motor can be accessed from panel above, below or sides; no more than two panels at once.



NOTE

Specifications are subject to change without notice due to the manufacturer's ongoing research and development programme.



ECC	EC MOTOR CONTROLLER
EF	ELECTRICAL FILTER
ETH	EARTH
FRB	FAULT RELAY BOARD
IFM	INDOOR FAN MOTOR
PFCC	POWER FACTOR CORRECTION CAPACITOR
PLR	PHASE LOSS RELAY
PLRC	PHASE LOSS RELAY BOARD
SRB	STATUS RELAY BOARD
RV	REVERSING VALVE
TB	TERMINAL BLOCK
TBL2W	TERMINAL BLOCK LINK 2 WAY
UC8	UNIT CONTROLLER 8

CCB	CONTROL CIRCUIT BREAKER
CM	COMPRESSOR MOTOR
CMC	COMPRESSOR CONTACTOR
CP2W	CONNECTOR PLUG 2 WAY
CP4W	CONNECTOR PLUG 4 WAY
EEV	ELECTRONIC EXPANSION VALVE
E2RB	EXV2 RELAY BOARD

Sensors (S) / Transducers (T)		
Name	Type	Colour
DL	Discharge Temp	RED
SL	Suction Temp	WHITE
LPT	Low Pressure	T
HPT	High Pressure	T
OC	Return Air	BLACK

REV	DESCRIPTION	ECN	DATE	APPROVED
A	Initial Release			
B	Ebox redesign - numerous changes	N3941	25-05-18	D.A.B.
C	DIP switch '9' was '10'. Added Sanhua note next to EEV	N4347	13-11-20	S.S.

Drawing No: **291-002-409**
 SHEET 1 OF 1
 Title: **HWP 275RKTU UC8 Wiring Schematic**
 Drawn: **D.A.B.** Date: **14-08-17**
 Approved: **[Signature]**
 Client Wiring: **DO NOT SCALE - ASK**
 ©temperzone Ltd 2017
temperzone

SPECIFICATIONS



Model	HWP 275CEKTY
Item No. (Standard / Opposite Hand)	510-275-102 / 510-275-112
Cooling capacity (net) to AS/NZS 3823 T1	26.6 kW
Heating capacity - Electric heat	12.0 kW
Electrical input - cooling	5.8 kW
Electrical input - heating	13.0 kW
EER / AEER (cooling)	4.55 / 4.54
Unit Controller	UC8
Refrigerant	R410A
Refrigerant charge	3.1 kg
Compressor type	scroll
Water connections	1" male BSP
Nominal EWT on cooling	30°C
Nominal EAT on cooling	27°C db, 19°C wb
Nominal Water Flow @ EWT – LWT = 5k	1.63 l/s
Entering system pressure drop @ nominal flow	55 kPa (8 psi)
Min. water temp. Cool cycle at nominal flow & EAT	15°C
Min. water temp. Cool cycle with water flow control valve	5°C
Max. EWT Cool cycle at nominal flow & EAT	50°C
Min. water flow @ nominal EWT & EAT	0.46 l/s
Max. water pressure – excluding hoses	3200 kPa (464 psi)
Power supply	3 ph. 400V ac 50Hz
Compressor run amps at rating cond.	9 A/ph.
Indoor fan motor size	900 W
Indoor fan motor (1ph.) - full load	5 A
Control circuit breaker (internal)	10 A
Running amps (total system)	12.5 / 9.5 / 9.0 A
Running amps – electric heat	22 / 17.5 / 17.5 A
Max. running amps (total system)	23 / 17.5 / 17.5 A
Net weight	192 kg

Accessories:

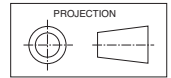
Spring mounts	supplied
Water hoses 800mm long, rated 2070 kPa (300 psi)	1" female BSP, supplied
Replacement filter EU2 rated (2 required)	119-000-105 799x405x13
Condensate lift-pump	507-003-010

Optional:

SAT-3 Room temperature controller	201-000-146
TZT-100 Room temperature controller	201-000-350

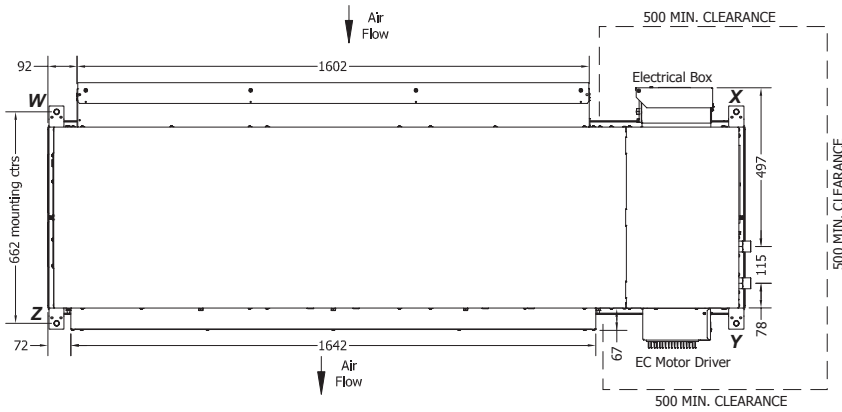
Refer to temperzone for other options, eg remote sensors

DIMENSIONS (mm)



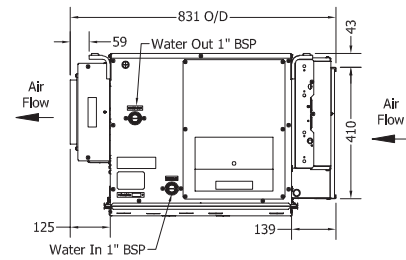
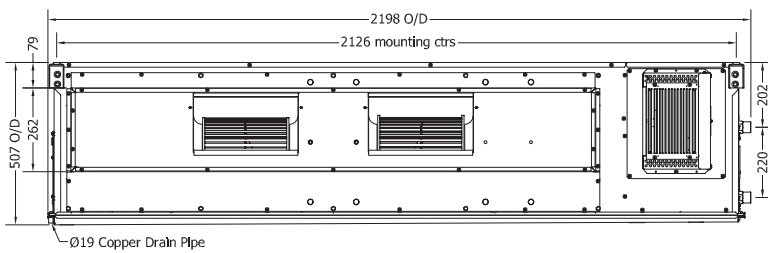
Not to Scale

HWP 275CEKTY Standard



POINT LOADS (kg)			
W	X	Y	Z
39	63	62	28

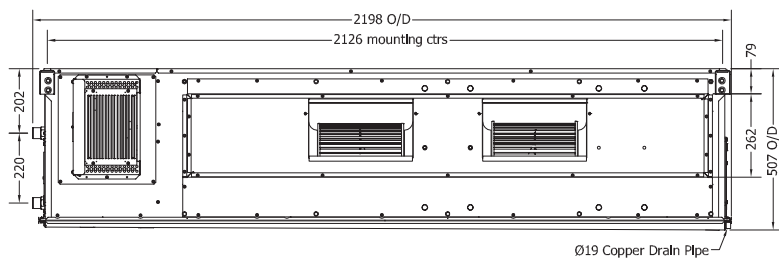
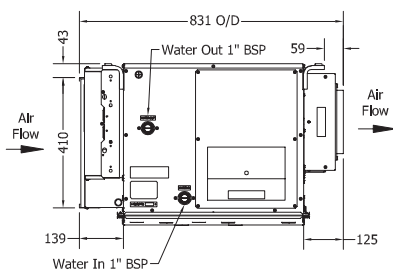
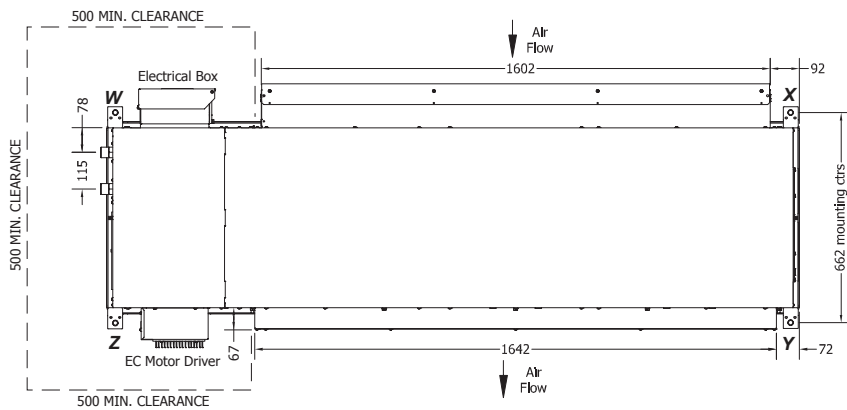
Note: Fan motor can be accessed from panel above, below or sides; no more than two panels at once.



HWP 275CEKTY Opposite Hand

POINT LOADS (kg)			
W	X	Y	Z
63	39	28	62

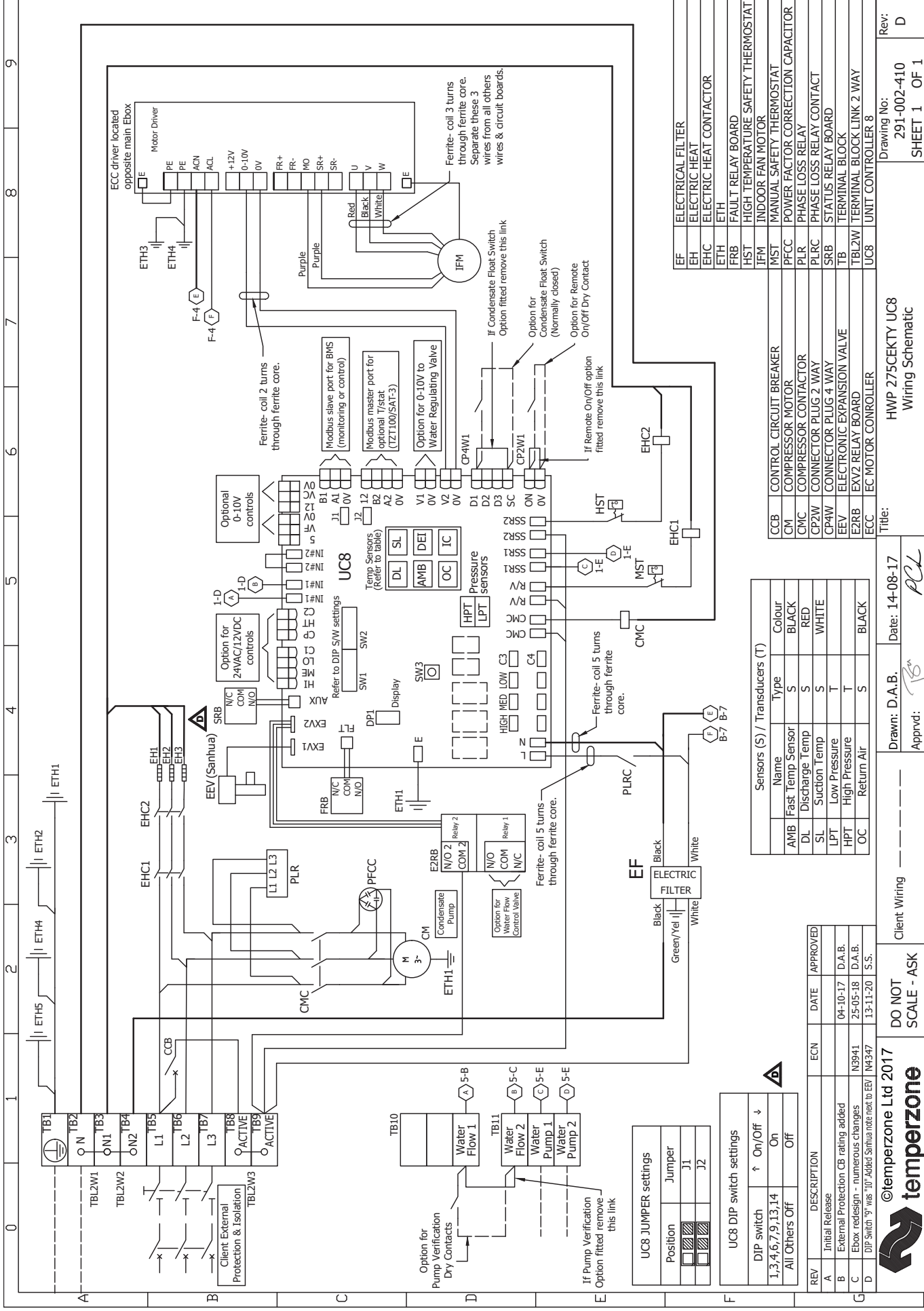
Note: Fan motor can be accessed from panel above, below or sides; no more than two panels at once.



NOTE

Specifications are subject to change without notice due to the manufacturer's ongoing research and development programme.





Name	Type	Colour
AMB Fast Temp Sensor	S	BLACK
DL Discharge Temp	S	RED
SL Suction Temp	S	WHITE
LPT Low Pressure	T	
HPT High Pressure	T	
OC Return Air	S	BLACK

REV	DESCRIPTION	ECN	DATE	APPROVED
A	Initial Release			
B	External Protection CB rating added		04-10-17	D.A.B.
C	Ebox redesign - numerous changes	N3941	25-05-18	D.A.B.
D	DIP Switch '9' was '10'. Added Sanhua note next to EEV	N4347	13-11-20	S.S.

Position	Jumper
11	
12	

DIP switch	On/Off
1,3,4,5,7,9,13,14	On
All Others	Off

UC8 JUMPER settings
 Position Jumper
 11
 12

UC8 DIP switch settings
 DIP switch On/Off
 1,3,4,5,7,9,13,14 On
 All Others Off Off

Sensors (S) / Transducers (T)	Name	Type	Colour
AMB	Fast Temp Sensor	S	BLACK
DL	Discharge Temp	S	RED
SL	Suction Temp	S	WHITE
LPT	Low Pressure	T	
HPT	High Pressure	T	
OC	Return Air	S	BLACK

Title: HWP 275CEKTY UC8 Wiring Schematic
 Drawing No: 291-002-410
 SHEET 1 OF 1
 Rev: D

Client Wiring
 DO NOT SCALE - ASK
 ©temperzone Ltd 2017

Drawn: D.A.B.
 Date: 14-08-17
 Approved: *ACL*

EF	ELECTRICAL FILTER
EH	ELECTRIC HEAT
EHC	ELECTRIC HEAT CONTACTOR
ETH	ETH
FRB	FAULT RELAY BOARD
HST	HIGH TEMPERATURE SAFETY THERMOSTAT
IFM	INDOOR FAN MOTOR
MST	MANUAL SAFETY THERMOSTAT
PFCC	POWER FACTOR CORRECTION CAPACITOR
PLR	PHASE LOSS RELAY
PLRC	PHASE LOSS RELAY CONTACT
CP4W	CONNECTOR PLUG 4 WAY
SRB	STATUS RELAY BOARD
TB	TERMINAL BLOCK
TBL2W	TERMINAL BLOCK LINK 2 WAY
ECC	EC MOTOR CONTROLLER

CCB	CONTROL CIRCUIT BREAKER
CM	COMPRESSOR MOTOR
CMC	COMPRESSOR CONTACTOR
CP2W	CONNECTOR PLUG 2 WAY
CP4W	CONNECTOR PLUG 4 WAY
EEV	ELECTRONIC EXPANSION VALVE
E2RB	EXV2 RELAY BOARD
ECC	EC MOTOR CONTROLLER

