

SPECIFICATIONS



Model	OPA 336RKTF-P ECO ULTRA
Configuration	Horizontal Supply Air
Item No. (Standard / Opposite Hand)	876-034-701 / 876-034-710
Cooling capacity (net) to AS/NZS 3823 T1	28.3 kW
Cooling capacity range (gross)	17.6 ~ 33.6 kW
Heating capacity H1	27.4 kW
Heating capacity range	14.0 ~ 28.9 kW
Electrical input - cooling	8.5 kW
Electrical input - heating	8.3 kW
EER / AEER (cooling)	3.34 / 3.32
COP / ACOP (heating)	3.28 / 3.27
Unit Controller	UC8
Refrigerant	R410A
Refrigerant Charge	9 kg
Compressor oil type	polyvinylether (PVE)
Compressor type	inverter
Power supply	3 ph. 400V ac 50Hz
Compressor (3ph.) run amps at rating cond.	12 / 11 / 11.5 A
Indoor fan motor size	EC plug 500 dia. 2.5 kW
Nominal air flow at rating conditions	1700 l/s
Indoor fan motor (3ph.) - full load	3.3 A/ph.
Outdoor air fan motor (1ph.) - full load	1.7 A (x2)
Outdoor air fan capacitor size	8 μ fd (x2)
Control circuit breaker (internal)	2 A
Auxiliary power outlet (1ph.) overload setting	10 A
Running amps (total system)	13.5 / 15.5 / 13.0 A
Max. running amps (total system)	19.5 / 21.0 / 18.5 A
Net weight	472 kg

Accessories:

Filters - rated EU4/G4 disposable	019-400-008 495x445x50 (x2) 019-400-010 450x600x50 (x2)
-----------------------------------	--

Optional Controls:

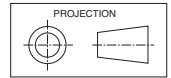
SAT-3 Room temperature controller	201-000-146
TZT-100 Room temperature controller	201-000-350

Refer to temperzone for other options.

Tested in accordance with AS/NZS 3823

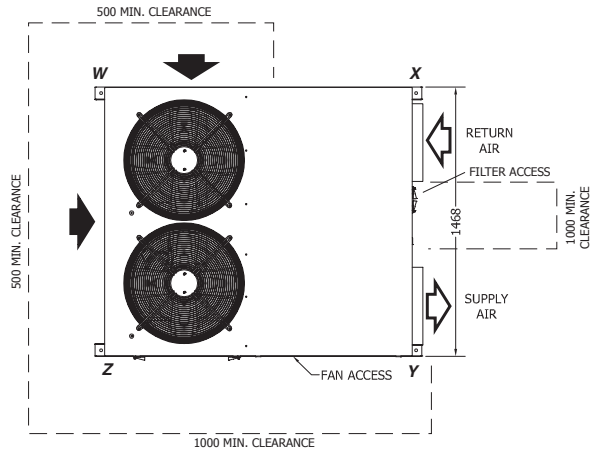
16108

DIMENSIONS (mm)

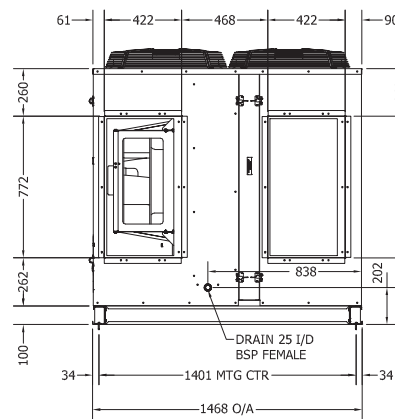
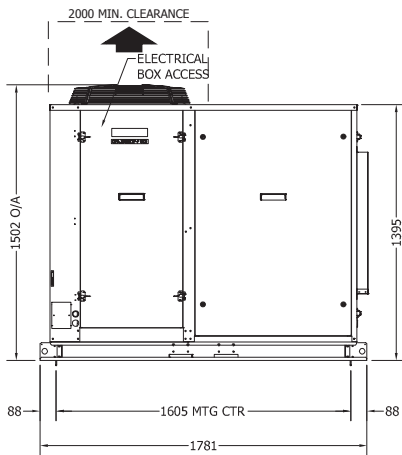


Not to Scale

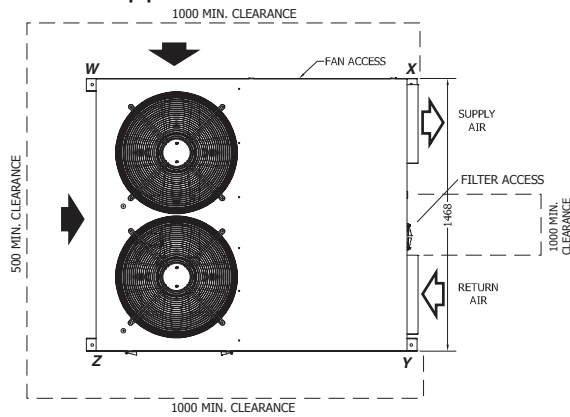
OPA 336RKTF01-P Standard Hand



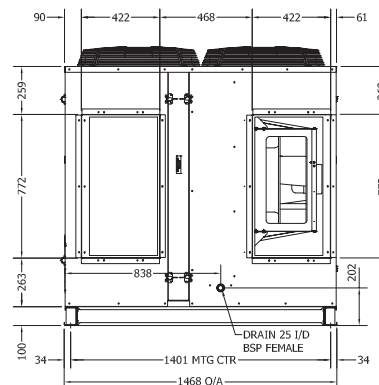
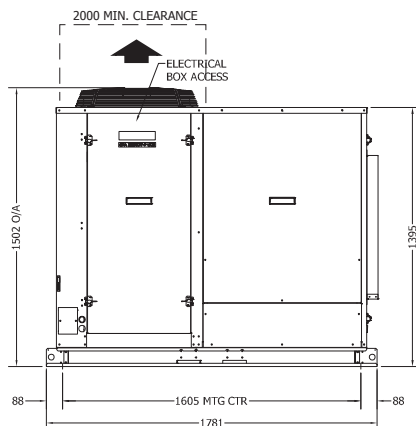
POINT LOADS (kg)			
W	X	Y	Z
120	82	128	142



OPA 336RKTF10-P Opposite Hand

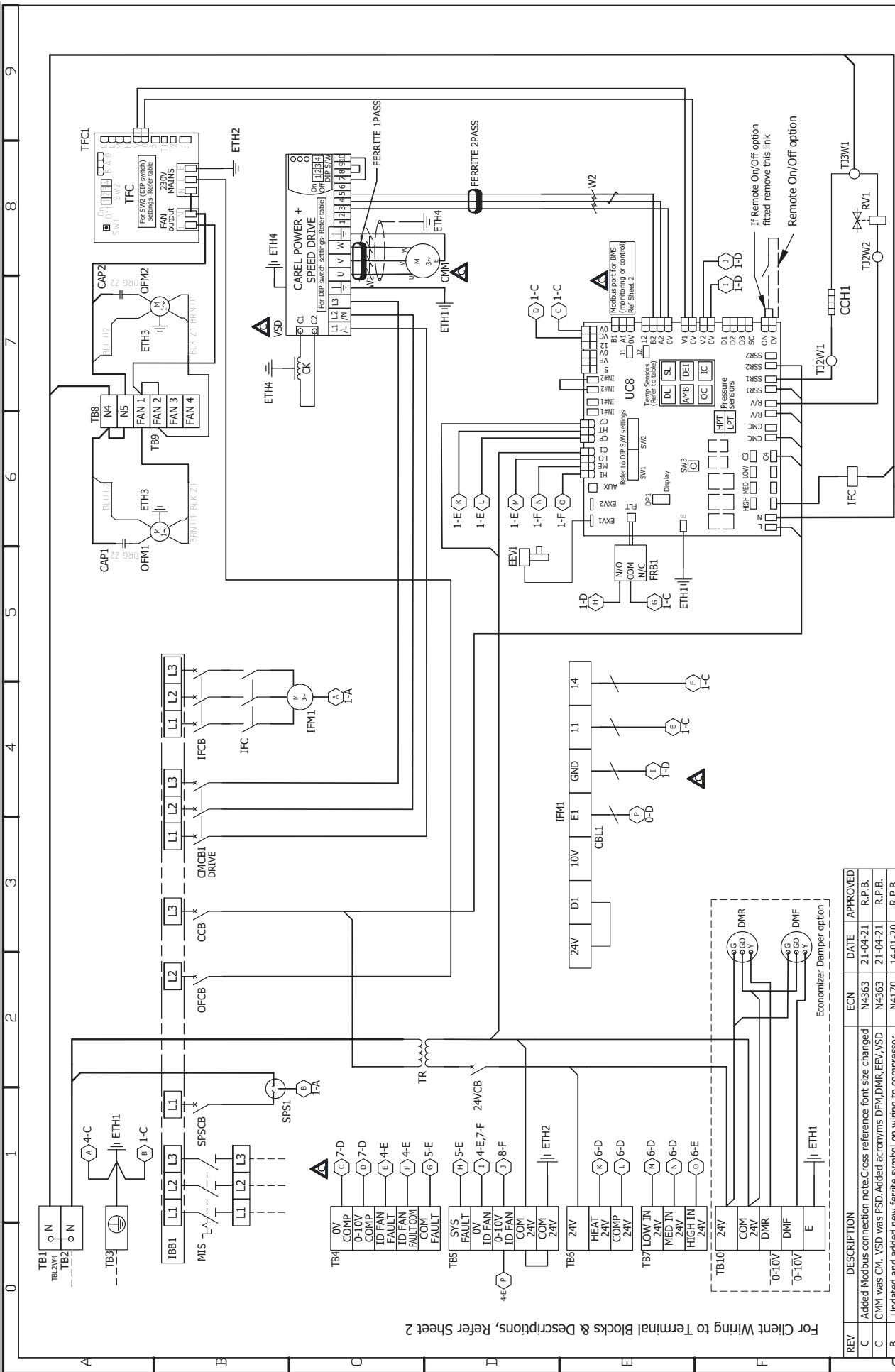


POINT LOADS (kg)			
W	X	Y	Z
120	128	82	142



NOTE

Specifications are subject to change without notice due to the manufacturer's ongoing research and development programme.



REV	DESCRIPTION	ECN	DATE	APPROVED
C	Added Modbus connection note. Cross reference font size changed	N4363	21-04-21	R.P.B.
C	CMW was CM. VSD was PSD. Added acronyms DPM,DMR,EEV,VSD	N4363	21-04-21	R.P.B.
B	Updated and added new ferrite symbol on wiring to compressor	N4170	14-01-20	R.P.B.

