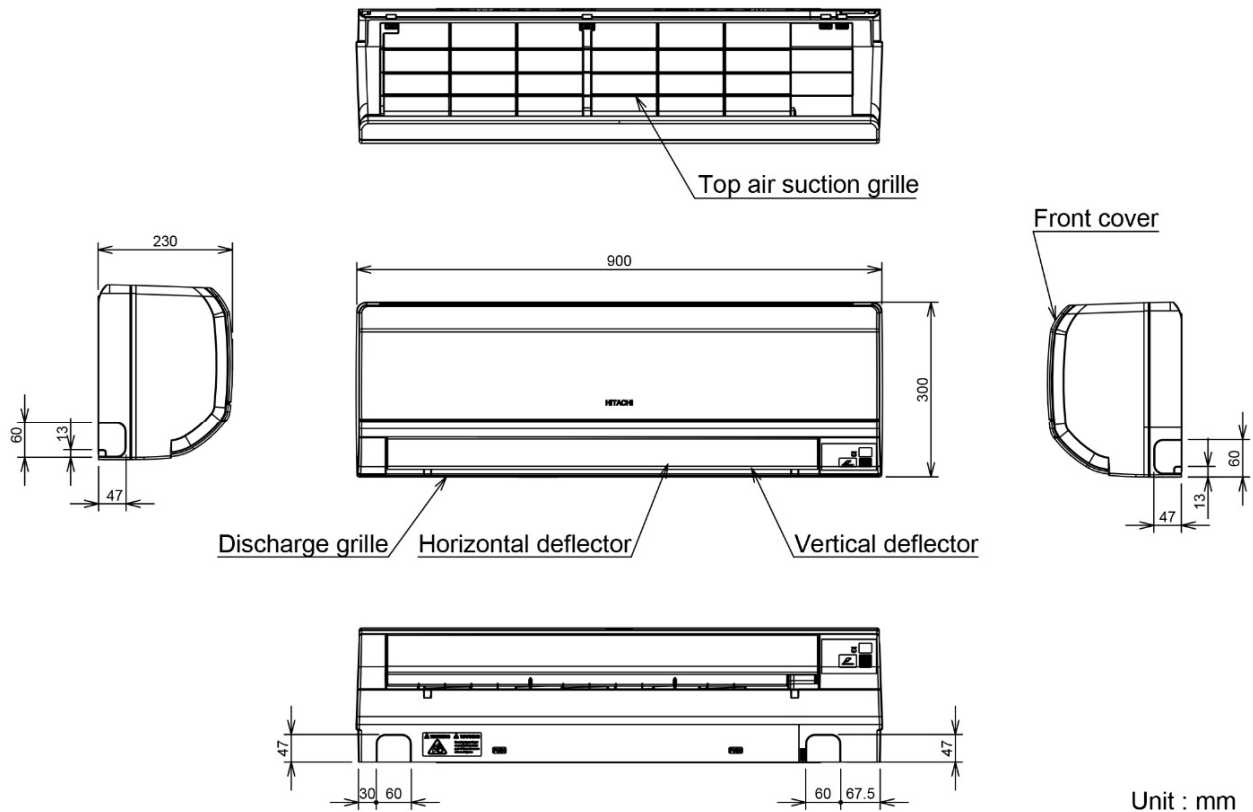
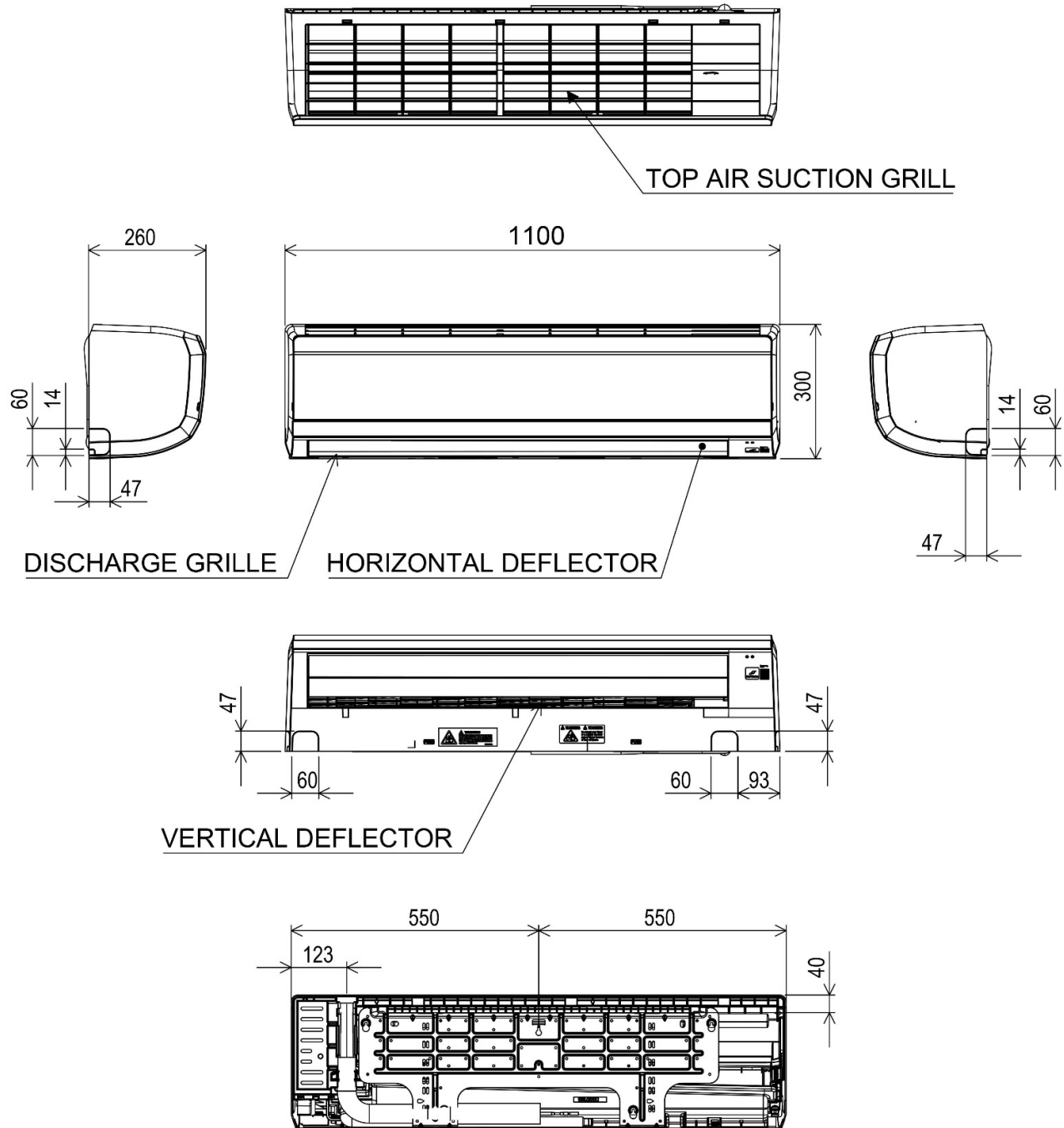
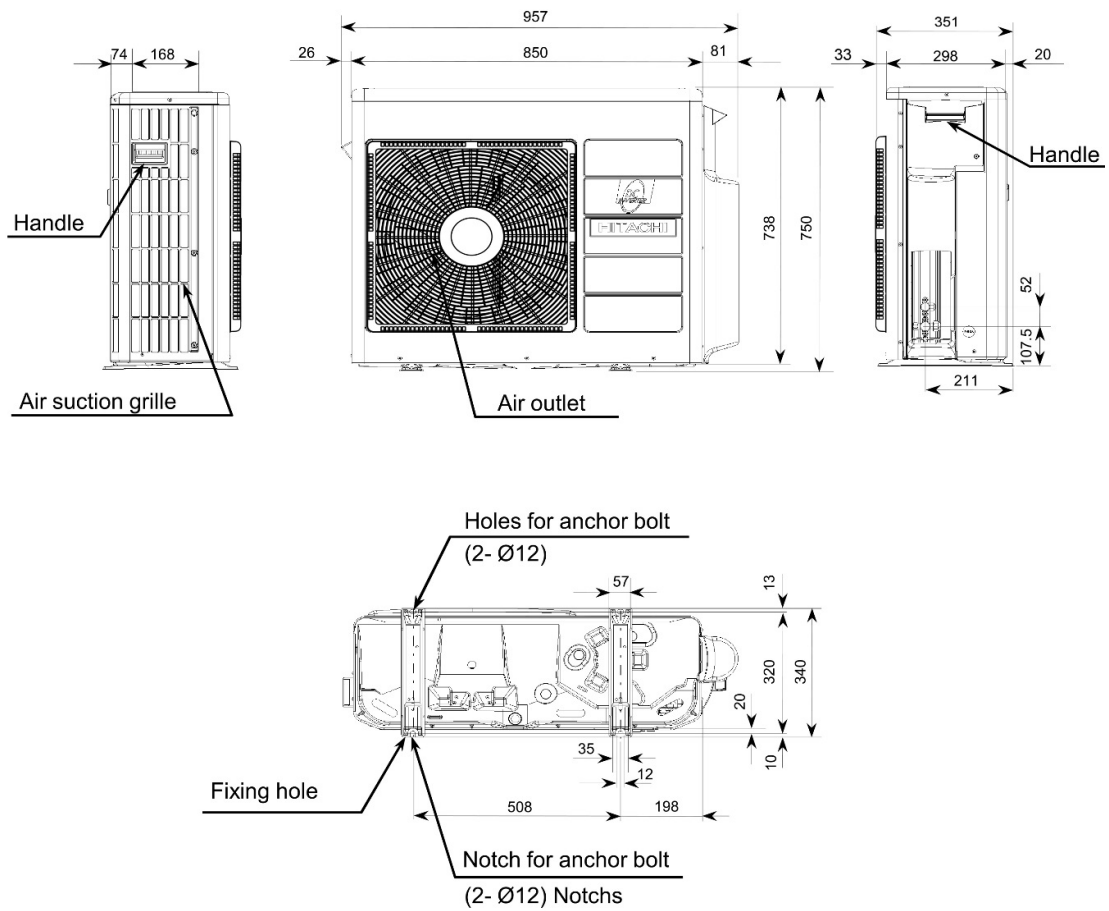


2.2. INDOOR WALL TYPE: RAS-E50YHA, RAS-E60YHA

2.3. INDOOR WALL TYPE: RAS-E70YHA, RAS-E80YHA



2.6. OUTDOOR: RAC-S50YHA, RAC-E50YHA, RAC-S60YHA, RAC-E60YHA



2.7. OUTDOOR: RAC-S70YHA, RAC-E70YHA, RAC-S80YHA, RAC-E80YHA

Unit: mm

