

Wiring and Piping Guide

HITACHI

Wall & Floor Mounted Split Systems

Wiring Detail

Model	Power Supply to	Power Supply	Recommended External Breaker	Interconnecting Wire*	Diagram
RAS/RAC-(E/S)25YHA	ODU	230V 1ph	15A	1.5mm 3 core + E	2
RAS/RAC-(E/S)35YHA	ODU	230V 1ph	15A	1.5mm 3 core + E	2
RAS/RAC-(E/S)50YHA	ODU	230V 1ph	20A	1.5mm 3 core + E	2
RAS/RAC-(E/S)60YHA	ODU	230V 1ph	20A	1.5mm 3 core + E	2
RAS/RAC-(E/S)70YHA	ODU	230V 1ph	20A	1.5mm 3 core + E	2
RAS/RAC-(E/S)80YHA	ODU	230V 1ph	20A	1.5mm 3 core + E	2
RAF/RAC-35NXA1	ODU	230V 1ph	16A	1.5mm 2 core + E	1
RAF/RAC-50NXA1	ODU	230V 1ph	16A	1.5mm 2 core + E	1

Diagram 1.

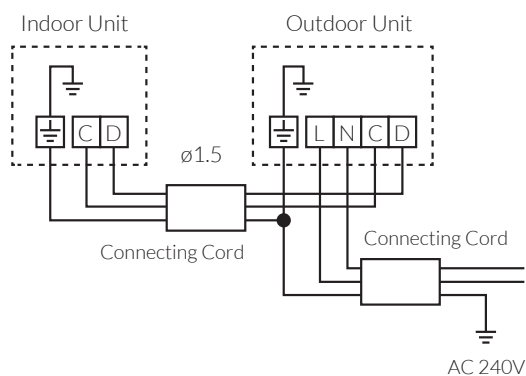
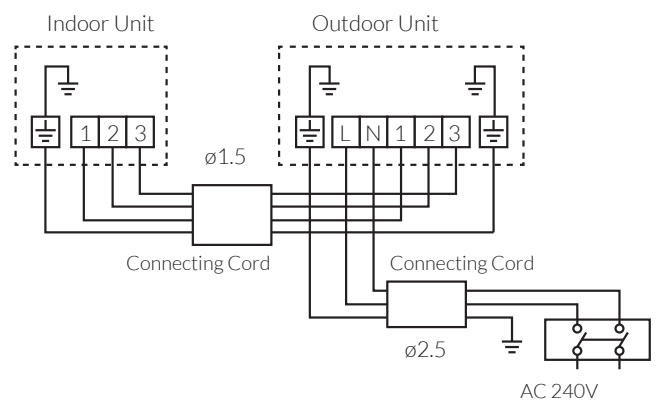


Diagram 2.



Piping Detail

Model	Pipe Sizes (mm)	Max /Min Pipe Length	Pre-charged length	Max Height Difference IU to OU
RAS/RAC-(E/S)25YHA	6.4 / 9.5	3m / 20m	20m	10m
RAS/RAC-(E/S)35YHA	6.4 / 9.5	3m / 20m	20m	10m
RAS/RAC-(E/S)50YHA	6.4 / 12.7	3m / 30m	30m	20m
RAS/RAC-(E/S)60YHA	6.4 / 12.7	3m / 30m	30m	20m
RAS/RAC-(E/S)70YHA	6.4 / 15.9	3m / 30m	30m	20m
RAS/RAC-(E/S)80YHA	6.4 / 15.9	3m / 30m	30m	20m
RAF/RAC-35NXA1	6.4 / 9.5	3m / 20m	20m	10m
RAF/RAC-50NXA1	6.4 / 12.7	3m / 20m	20m	10m