

10.6 Run status and alarm signal output circuit

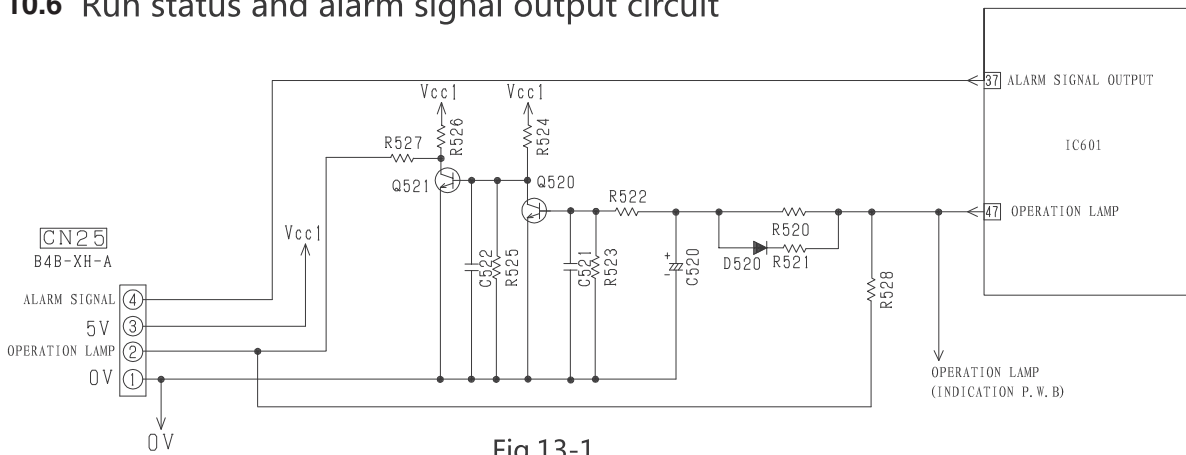


Fig.13-1

Fig.13-1 is the control circuit of run status and signal output in main PWB. The pin② of CN25 is used to show run status and the pin④ of CN25 is used to warn people when failure occurrence. If customer want to use this function, need to use the adapter (sold separately) to achieve it. the adapter is optional and the detail circuit refer to following circuit.

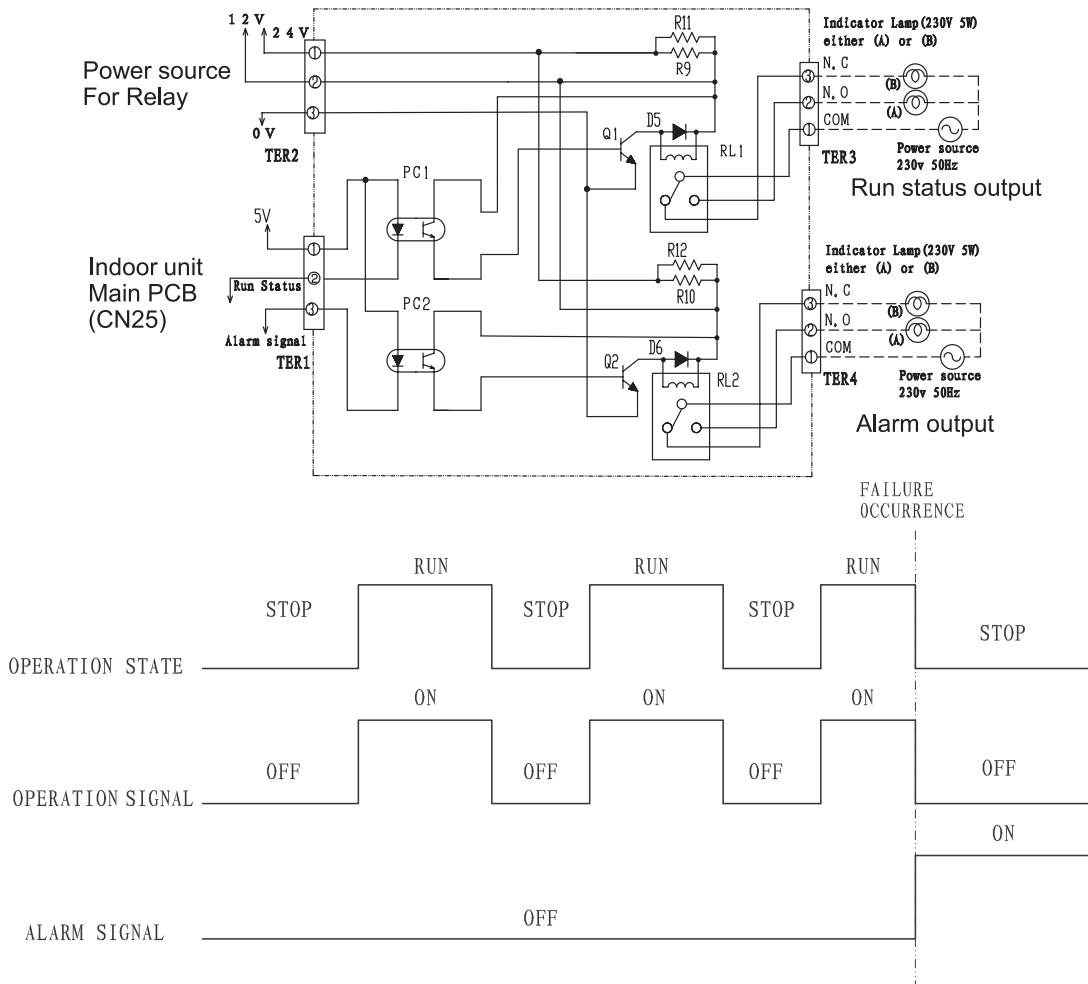
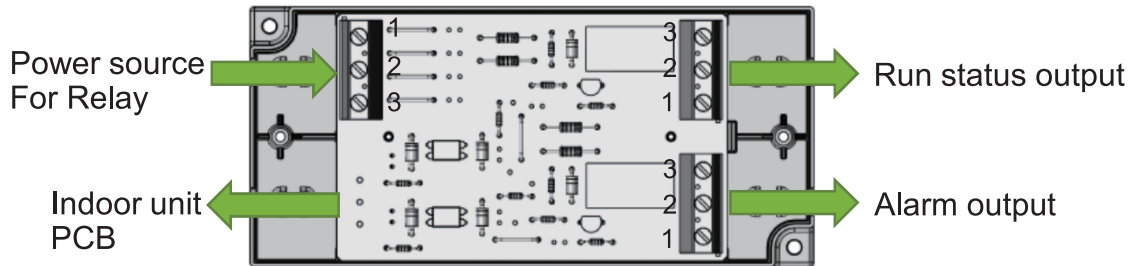


Fig.13-2

RL1 is on When air-condition is running and is off When air-condition is stopping. We can know the status of air-condition by RL1. RL2 is off When air-condition in normal condition and is on when air-condition in failure occurrence, we can repair it in time.

Optional Relay kit SPX-WDC8



- When operating RAC, Run Status signal is output.
- When operation stops, the signal disappears.
- When RAC gets malfunction, alarm signal is output.
- Each signal has to be taken out through the Relay kit.

※ The Relay kit must to be used because of noise interference. The noise will cause air-condition failure. the voltage from customer's home supply to adapter must be in the 5 ~ 24V, the current is less than 10mA. If the voltage is lower than 5V, optocouplers will not be action; once the voltage is higher than 24V, optocouplers adapter will be damaged.

Load side is a high voltage line, please be careful from electric shock and install the Indication Lamp as near as possible to the Relay Kit. The maximum length of the wiring cable should be below 100m.