

SPECIFICATIONS



Model	CWP 90RELSFY
Item No.	573-009-002
Cooling capacity (net) to AS/NZS 3823 T1	9.9 kW
Cooling capacity range (gross)	4.1 kW ~ 10 kW
Heating capacity H1	8.9 kW
Heating capacity range	3.7 kW ~ 8.9 kW
Supplementary Electric Heat	3.0 kW
Electrical input - cooling	2.6 kW
Electrical input - heating (reverse cycle)	2.4 kW
EER / AEER (cooling)	3.84 / 3.76
COP / ACOP (heating)	3.74 / 3.66
Unit Controller	UC8
Refrigerant	R32
Refrigerant charge	0.9 kg
Minimum floor area (@2.4m below ceiling diffuser)	1.6 m ²
Compressor type	inverter scroll
Water connections	3/4" male BSP
Nominal EWT on cooling	30°C
Nominal EWT on heating	20°C
Nominal Water Flow @ EWT – LWT = 5k	0.6 l/s
Entering system pressure drop @ nominal flow	62 kPa (9 psi)
Min. water temp. Heat cycle at nominal flow	10°C
Min. water temp. Cool cycle at nominal flow	15°C
Min. water temp. Cool cycle with water regulating valve	5°C
Max. EWT Heat cycle at nominal flow	30°C
Max. EWT Cool cycle at nominal flow	50°C
Min. water flow @ nominal EWT	0.17 l/s
Max. water pressure – excluding hoses	3200 kPa (464 psi)
Power supply *	1ph. 230V ac 50Hz + N + E
Compressor run amps at rating cond.	10.5 A
Indoor fan motor size	1074 W (EC)
Indoor fan motor (1ph.) - full load	5 A
Control circuit breaker (internal)	10 A
Running amps (total system)	11.5 A
Max. running amps (total system, incl.elec heat)	15 A
RCD type recommended	type F, 30mA, 1 pole
Net weight (excl. water)	90 kg

Accessories:

Water hoses 600mm long, rated 1720 kPa (250psi)	3/4" female BSP, optional
Replacement filter - rated EU2/G2	119-000-087 387x405x13

Optional:

TZT-100 Room temperature controller	201-000-350
-------------------------------------	-------------

Refer to temperzone for other options, eg remote sensors

Tested in accordance with AS/NZS 3823

19030

* Voltage range: 220–240V

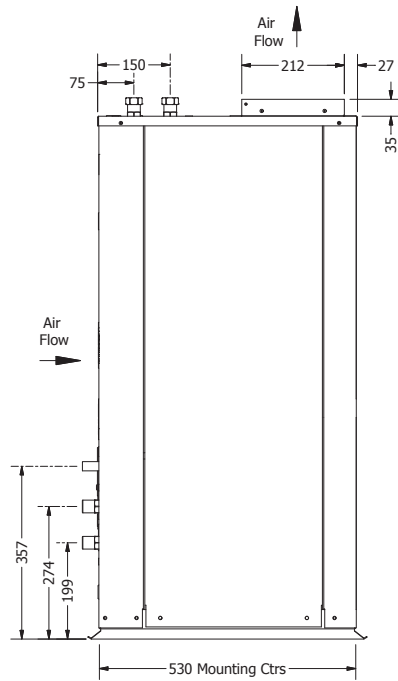
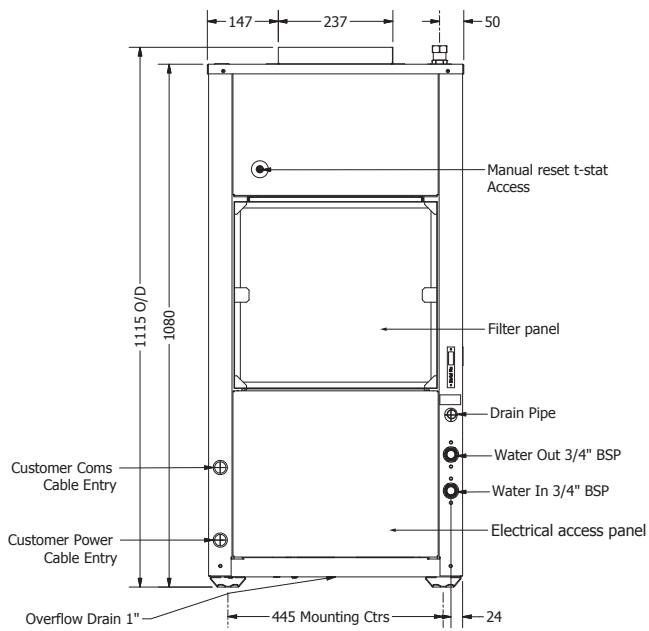
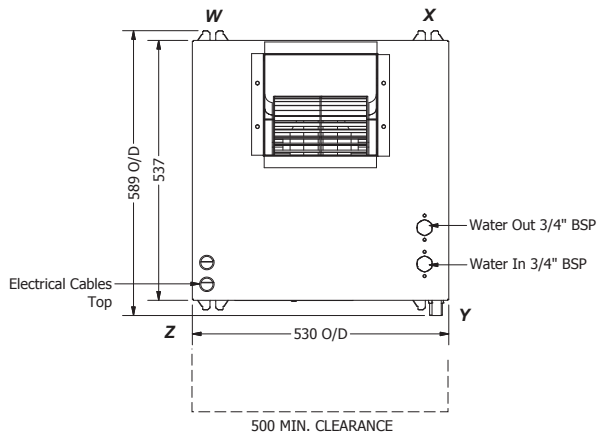


Not to Scale

CWP 90RELSFY Standard

POINT LOADS (kg)			
W	X	Y	Z
28	18	24	20

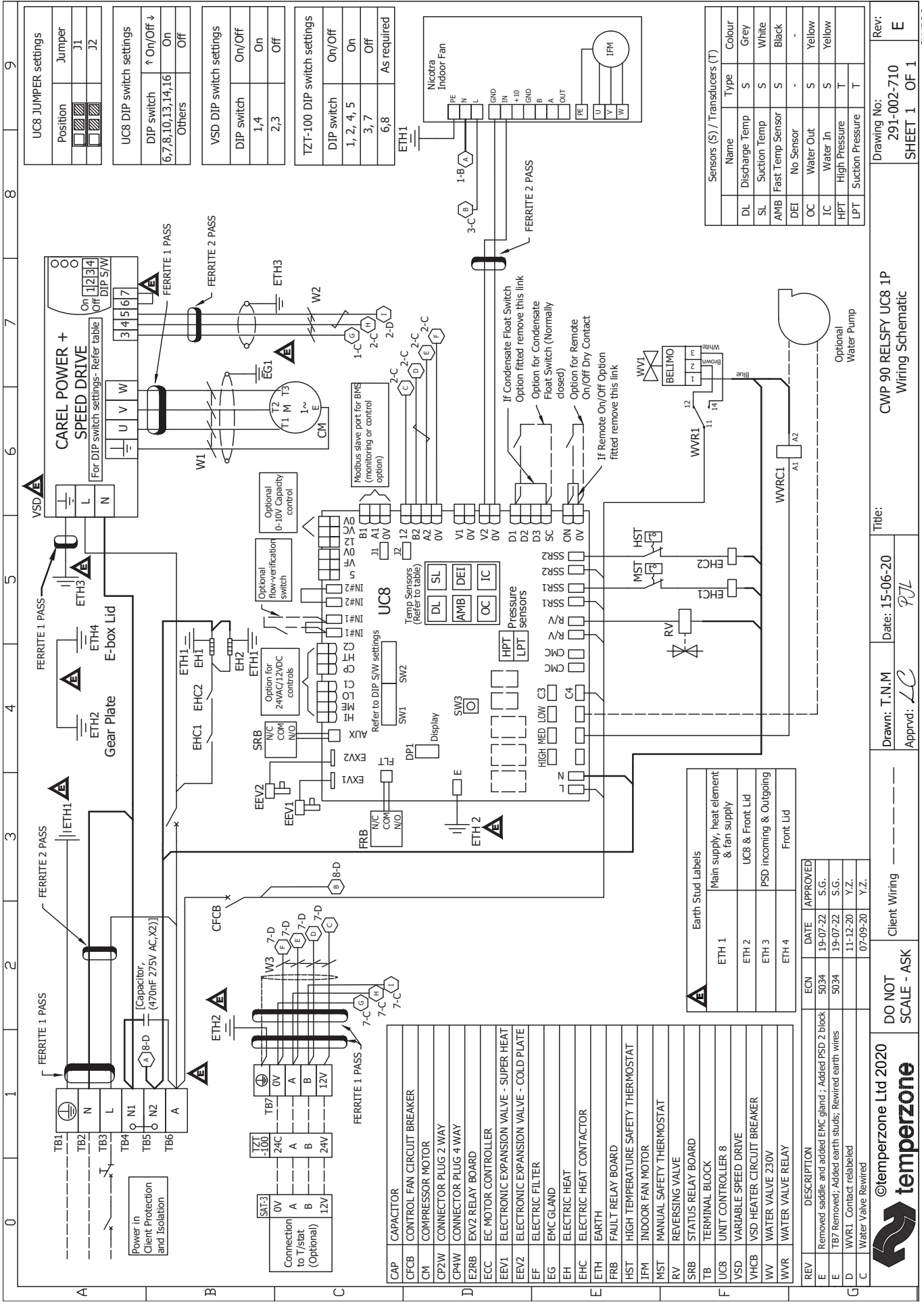
Allow adequate clearance to access the front of the unit for future service and maintenance. Installed location must be ventilated at base level.



NOTE

Specifications are subject to change without notice due to the manufacturer's ongoing research and development programme.

ELECTRICAL



©temperzone Ltd 2020

DO NOT SCALE - ASK

Client Wiring

Drawn: T.N.M Date: 15-06-20

Approved: *PJL*

Title: CWP 90 RELSPY UC8 1P Wiring Schematic

Rev: 291-002-710 SHEET 1 OF 1

Rev: E

