

Sanitary hot water circulation

High-efficiency pumps

Series description Wilo-Stratos PARA-Z 25/1-8, 30/1-8



Design

Glandless circulation pump with threaded connection.
EC motor with automatic power adjustment.
Standard delivery with cable for an easy electrical connection

Application

Secondary hot water circulation systems of all kinds, hot-water heating systems of all kinds.

Type key

Example:	Wilo-Stratos PARA-Z 25/1-8 T1
Stratos	Electronically controlled high-efficiency pump
PARA	Pump range adapted to requirements of the OEM market
Z	Pump for sanitary hot water circulation systems
25/	Nominal connection diameter
1-8	Nominal delivery head range [m]
T1	Type key for combinations of function and equipment
12 h	Position of electronic module, special version
(not specified)	Position of electronic module 6h, standard version

Options

- External control via 0-10V or PWM
- Control mode Δp -c (constant), Δp -v (variable)
- Control mode selection and differential pressure setpoint setting for Δp -c, Δp -v via operating button
- Special version without operating button
- All possible combinations of functions and equipment are available
- Version with cable according to customer specification
- Delivery in collective (108 pumps/packaging)
- Delivery with thermal insulation
- Cold insulation Cooling-Shell as accessories

Technical data

Approved fluids (other fluids on request)

Potable water and water for food-processing companies in accordance with TrinkwV 2001 (drinking water ordinance)

Power

Energy efficiency index (EEI)	≤ 0.23
Max. delivery head	8 m
Max. volume flow	8.0 m ³ /h

Permitted field of application

Temperature range at max. ambient temperature	of 25°C = -10 to 110°C of 40°C = -10 to 90°C of 45°C = -10 to 80°C of 50°C = -10 to 70°C of 55°C = -10 to 60°C of 60°C = -10 to 50°C of 65°C = -10 to 40°C
Temperature range for applications in secondary hot water circulation systems at max. ambient temperature	of 40°C = 0 to 80°C
Maximum static pressure	10 bar

Electrical connection

Mains connection	1~230 V, 50/60 Hz
------------------	-------------------

Motor/electronics

Electromagnetic compatibility	EN 61800-3
Emitted interference	EN 61000-6-3
Interference resistance	EN 61000-6-2
Speed control	Frequency converter
Protection class	IP X4D
Insulation class	F

Minimum suction head at suction port for avoiding cavitation at water pumping temperature

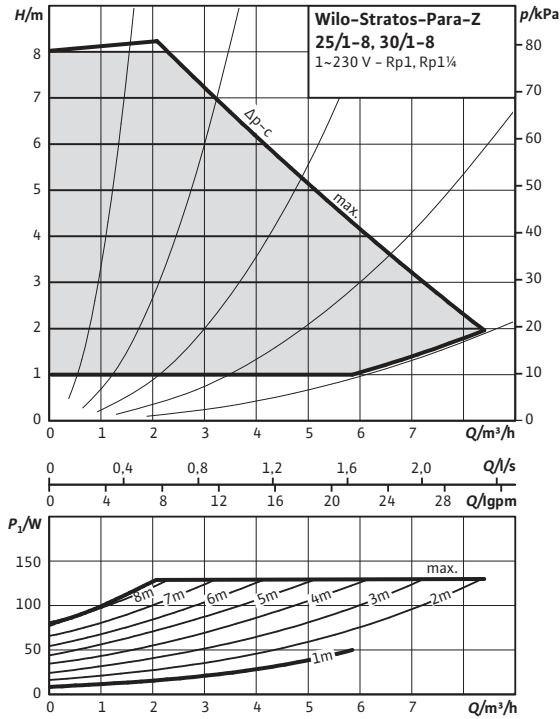
Minimum suction head at 50/95/110 °C	3/10/16 m
--------------------------------------	-----------

• = available, - = not available

Pump curves Wilo-Stratos PARA-Z 25/1-8, 30/1-8

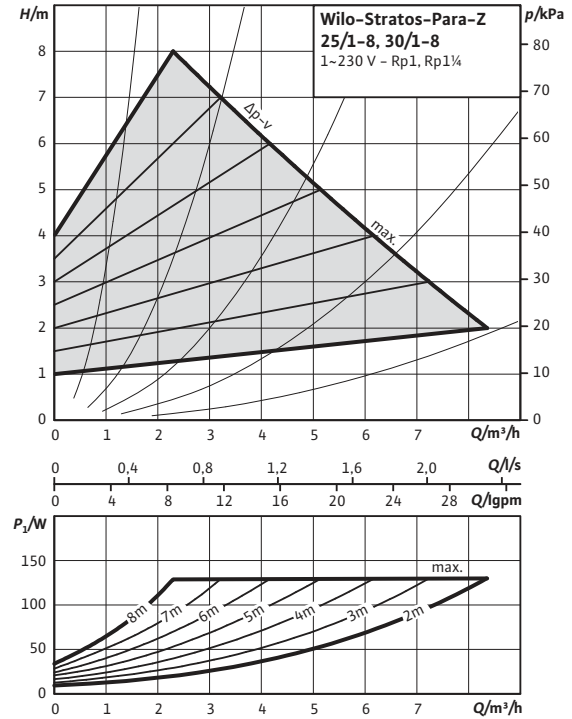
Wilo-Stratos PARA-Z 25/1-8, 30/1-8

$\Delta p-c$ (constant)



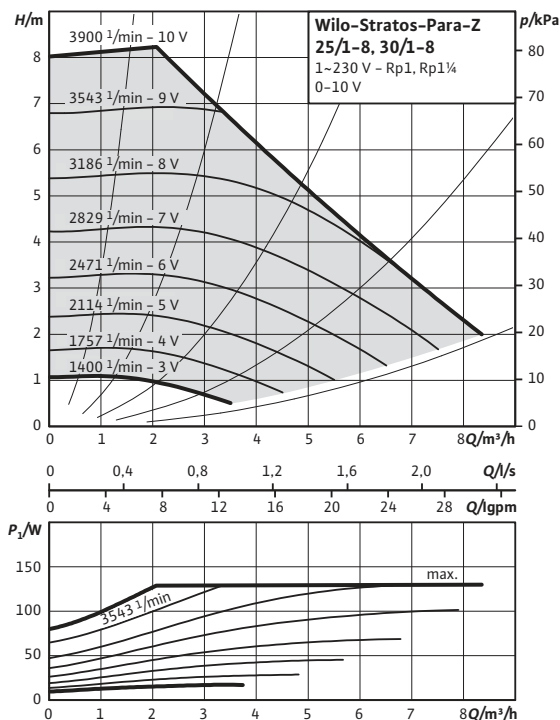
Wilo-Stratos PARA-Z 25/1-8, 30/1-8

$\Delta p-v$ (variable)



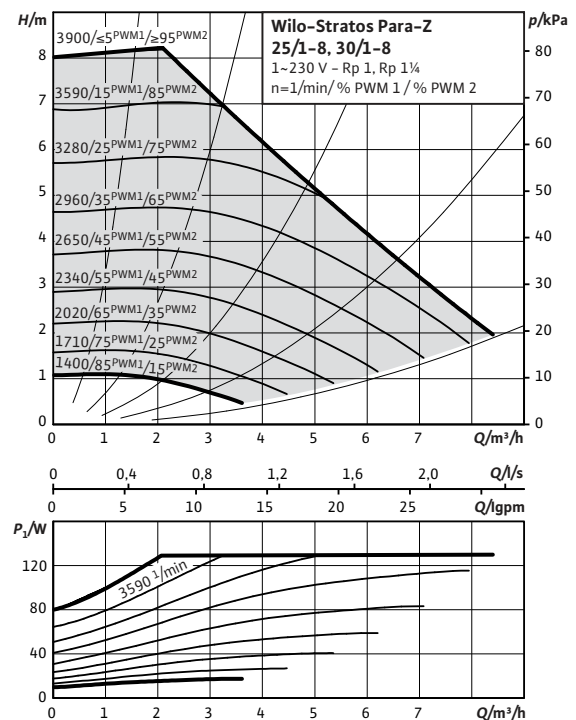
Wilo-Stratos PARA-Z 25/1-8, 30/1-8

External control mode via Analog-In 0-10 V



Wilo-Stratos PARA-Z 25/1-8, 30/1-8

External control via PWM



Sanitary hot water circulation

High-efficiency pumps

Dimensions, motor data Wilo-Stratos PARA-Z 25/1-8, 30/1-8

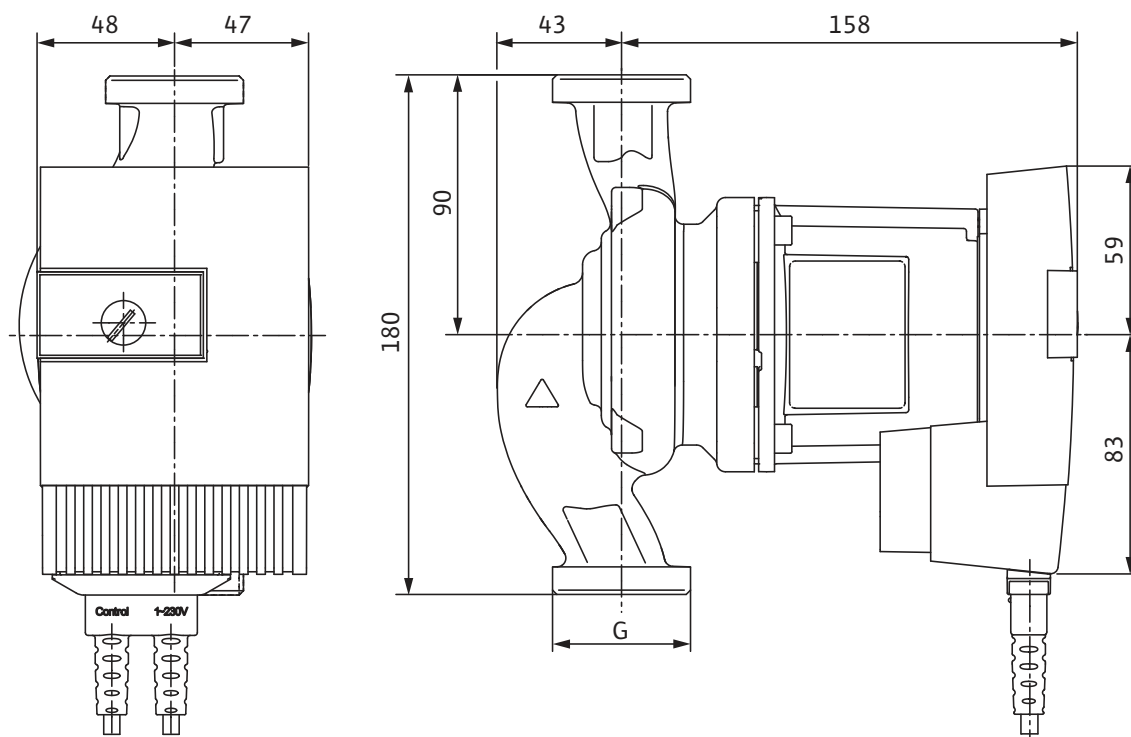
Motor data

Wilo-Stratos PARA-Z...	Speed	Power consumption 1~230 V	Current at 1~230V	Motor protection
	n	P_1	I	–
	rpm	W	A	–
.../1-8	1400 - 3900	8-130	0.07 - 0.95	integrated

Materials

Wilo-Stratos PARA-Z...	Pump housing	Impeller	Pump shaft	Bearing
.../1-8	Red brass (CC 499K) according to DIN 50930-6 in accordance with Drinking Water Ordinance	Plastic (PPS - 40% GF)	Stainless steel (X39CrMo17-1)	Carbon, synthetic resin impregnated

Dimension drawing



Dimensions, weights

Wilo-Stratos PARA-Z...	Threaded pipe union	Thread	Weight approx.
		–	m
		–	kg
25/1-8	Rp 1	G 1½	4.7
30/1-8	Rp 1¼	G 2	4.7

Sanitary hot water circulation

High-efficiency pumps

Series description Wilo-Stratos PARA-Z 25/1-12, 30/1-12



Design

Glandless circulation pump with threaded connection.
EC motor with automatic power adjustment.
Standard delivery with cable for an easy electrical connection

Application

Secondary hot water circulation systems of all kinds, hot-water heating systems of all kinds.

Type key

Example:	Wilo-Stratos PARA-Z 25/1-12 T1
Stratos	Electronically controlled high-efficiency pump
PARA	Pump range adapted to requirements of the OEM market
Z	Pump for sanitary hot water circulation systems
25/	Nominal connection diameter
1-12	Nominal delivery head range [m]
T1	Type key for combinations of function and equipment
12 h	Position of electronic module, special version
(not specified)	Position of electronic module 6h, standard version

Options

- External control via 0-10V or PWM
- Control mode Δp -c (constant), Δp -v (variable)
- Control mode selection and differential pressure setpoint setting for Δp -c, Δp -v via operating button
- Special version without operating button
- All possible combinations of functions and equipment are available
- Version with cable according to customer specification
- Delivery in collective (108 pumps/packaging)
- Delivery with thermal insulation
- Cold insulation Cooling-Shell as accessories

Technical data

Approved fluids (other fluids on request)

Potable water and water for food-processing companies in accordance with TrinkwV 2001 (drinking water ordinance)

Power

Energy efficiency index (EEI) ≤ 0.23

Max. delivery head 12 m

Max. volume flow 10.0 m³/h

Permitted field of application

Temperature range at max. ambient temperature

of 25°C = -10 to 110°C
of 40°C = -10 to 90°C
of 45°C = -10 to 80°C
of 50°C = -10 to 65°C
of 55°C = -10 to 50°C
of 60°C = -10 to 35°C
of 65°C = -10 to 20°C

Temperature range for applications in secondary hot water circulation systems at max. ambient temperature

of 40°C = 0 to 80°C

Maximum static pressure 10 bar

Electrical connection

Mains connection 1~230 V, 50/60 Hz

Motor/electronics

Electromagnetic compatibility EN 61800-3

Emitted interference EN 61000-6-3

Interference resistance EN 61000-6-2

Speed control Frequency converter

Protection class IP X4D

Insulation class F

Minimum suction head at suction port for avoiding cavitation at water pumping temperature

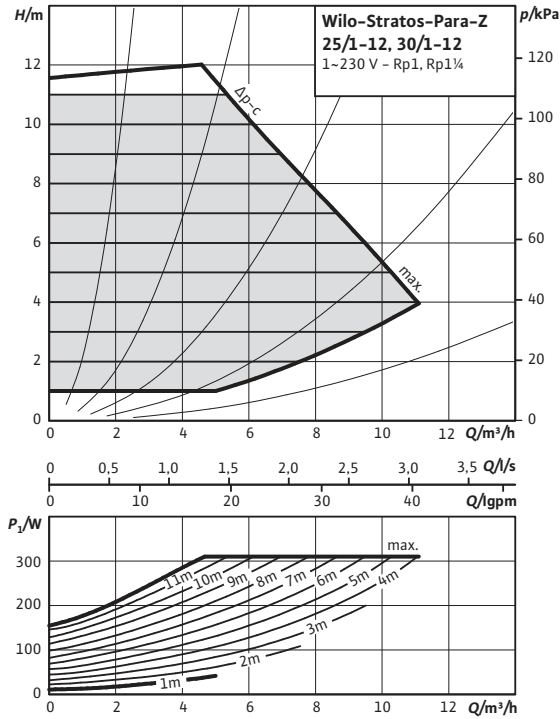
Minimum suction head at 50 / 95 / 110 °C 3 / 10 / 16 m

• = available, - = not available

Pump curves Wilo-Stratos PARA-Z 25/1-12, 30/1-12

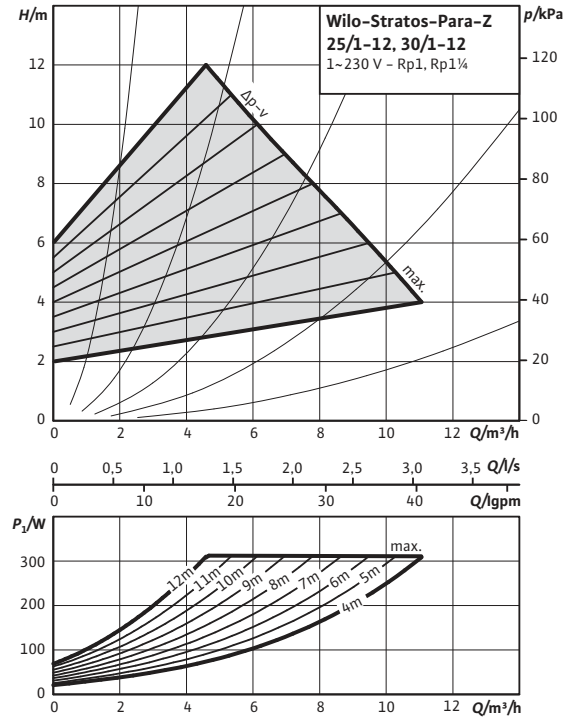
Wilo-Stratos PARA-Z 25/1-12, 30/1-12

Δp -c (constant)



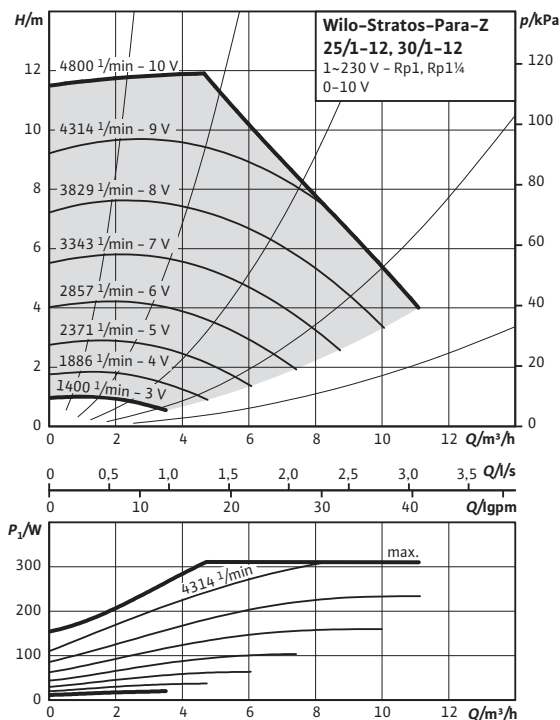
Wilo-Stratos PARA-Z 25/1-12, 30/1-12

Δp -v (variable)



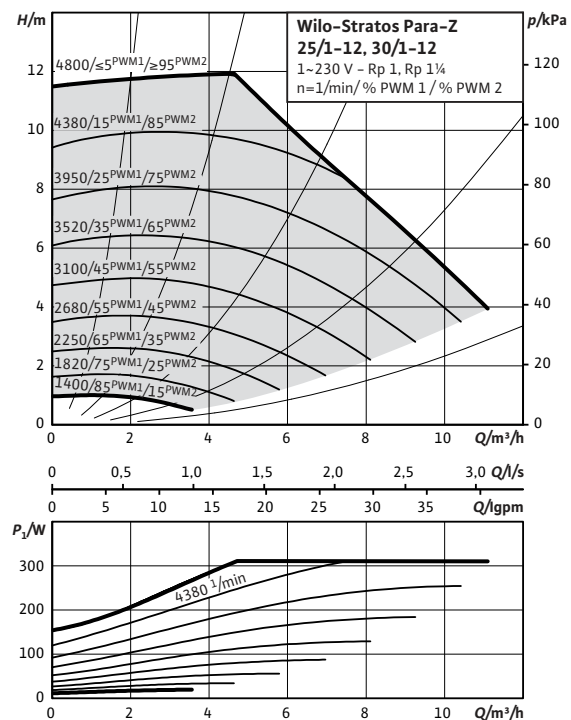
Wilo-Stratos PARA-Z 25/1-12, 30/1-12

External control mode via Analog-In 0-10 V



Wilo-Stratos PARA-Z 25/1-12, 30/1-12

External control via PWM



Sanitary hot water circulation

Sanitary hot water circulation

High-efficiency pumps

Dimensions, motor data Wilo-Stratos PARA-Z 25/1-12, 30/1-12

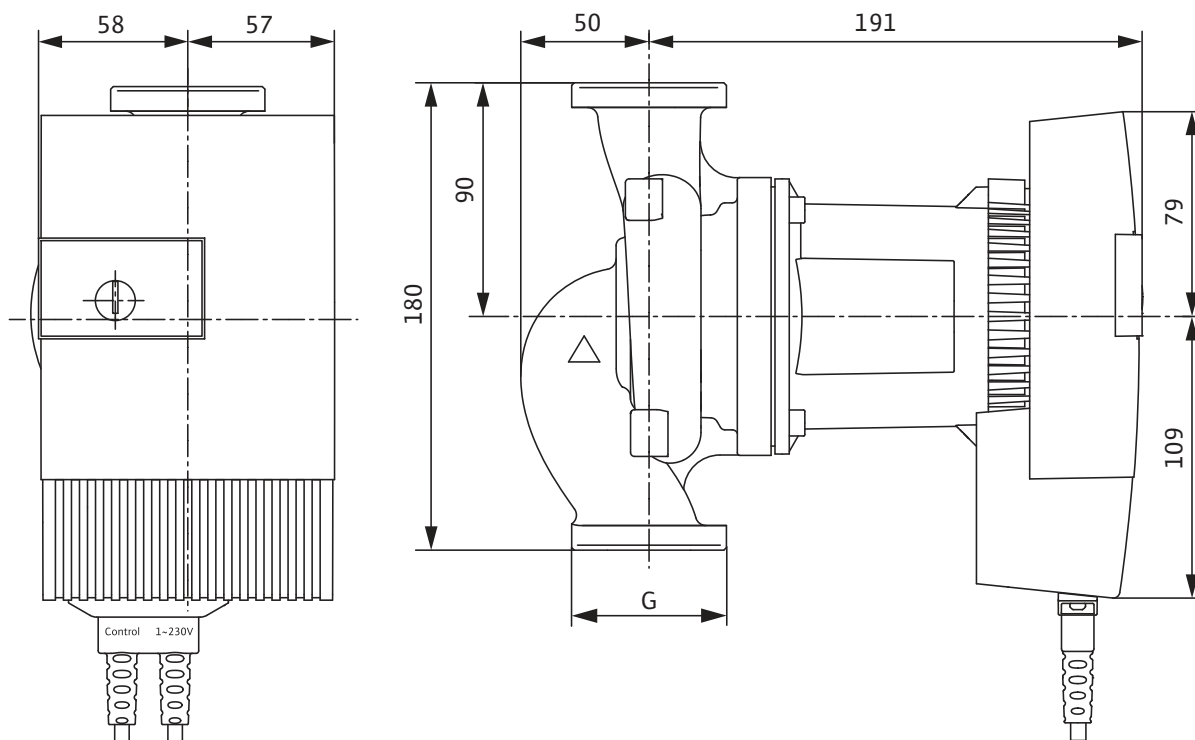
Motor data

Wilo-Stratos PARA-Z...	Speed	Power consumption 1~230 V	Current at 1~230V	Motor protection
	n	P_1	I	–
	rpm	W	A	–
.../1-12	1400 - 4800	16-310	0.16 - 1.37	integrated

Materials

Wilo-Stratos PARA-Z...	Pump housing	Impeller	Pump shaft	Bearing
.../1-12	Red brass (CC 499K) according to DIN 50930-6 in accordance with Drinking Water Ordinance	Plastic (PPS - 40% GF)	Stainless steel (X39CrMo17-1)	Carbon, synthetic resin impregnated

Dimension drawing



Dimensions, weights

Wilo-Stratos PARA-Z...	Threaded pipe union	Thread	Weight approx.
		–	m
		–	kg
25/1-12	Rp 1	G 1½	6.2
30/1-12	Rp 1¼	G 2	6.2