

Indoor Unit	(845-171-001)	ISD 171LYX
Outdoor Unit	(846-171-001)	OSA 171RLSFH (1Ø)
Cooling capacity (net) *		14.5 kW
Cooling capacity range (gross)		8.6 ~ 18.5 kW
Heating capacity *		14.9 kW
Heating capacity range		7.0 ~ 18.3 kW
Electrical input - cooling		4.6 kW
Electrical input - heating		4.5 kW
EER / AEER (cooling) *		3.15 / 3.12
COP / ACOP (heating) *		3.28 / 3.25
Unit Controllers		UC8 / IUC
Refrigerant		R32
Refrigerant precharge for 15 m		4.1 kg
Minimum floor area (@2.4m below ceiling diffuser)		8.9 m ²
Additional charge req'd for over 15 m line length		60 g/m
Maximum extended line length		60 m
Max. charge / Min. floor area (below ceiling diffuser)		6.8 kg / 24.6 m ²
Separation limit: OSA above ISD		20 m
Separation limit: OSA below ISD		20 m
Suction line		19 mm OD
Liquid line		9.5 mm OD
Compressor oil type		POE-46 (NXG5020 or equivalent))
Additional oil charge over 40m line length		10 ml/m
Compressor type		inverter scroll
Power supply via OSA **		1 ph. 230V ac 50Hz
Compressor run amps at rating cond. *		18 A
Indoor fan motor size		600 W
Rated indoor fan speed		6 V
Indoor fan motor (1ph.) - full load		3.5 A
Outdoor fan motor (1ph.) - full load		1.3 A
Outdoor fan capacitor size		6 µfd
Control circuit breaker (internal)		10 A
Running amps (total system) *		21 A
Max. running amps (total system)		35 A
RCD type recommended		type F, 30mA, 1 pole
Net weight ISD / OSA		68 kg / 101 kg

Accessories:

ISD Spring mounting kit	307-161-101
ISD Spigot plate adaptor Ø400 x 2 (NZ Only)	525-271-705
ISD Filter box c/w EU2/G2 filter (NZ only)	493-000-004
ISD Replacement filter (NZ only)	119-000-080
ISD Supply air plenum Ø400 x 2 (NZ only)	492-000-004
ISD Return air plenum Ø400 x 2 (NZ only)	492-100-004
ISD Fresh air inlet spigot Ø150 (NZ only)	325-000-051
OSA Drain connection adaptor 25/13mm	060-000-039
OSA Anti-vibration mounts - rubber (x4)	060-000-170

Optional Controls:

SAT-3 Room temperature controller	201-000-146
Six Zone Control kit for SAT-3	201-000-073
TZT-100 Room temperature controller	201-000-350

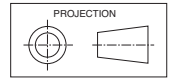
Refer to temperzone for other options, eg remote sensors, connection wires.

* Tested in accordance with AS/NZS 3823

20004

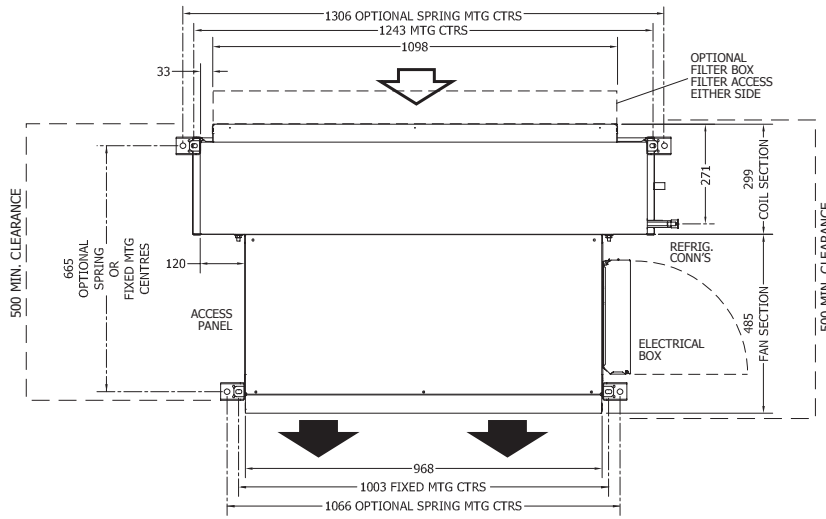
** Voltage range: 220–240V

DIMENSIONS (mm)



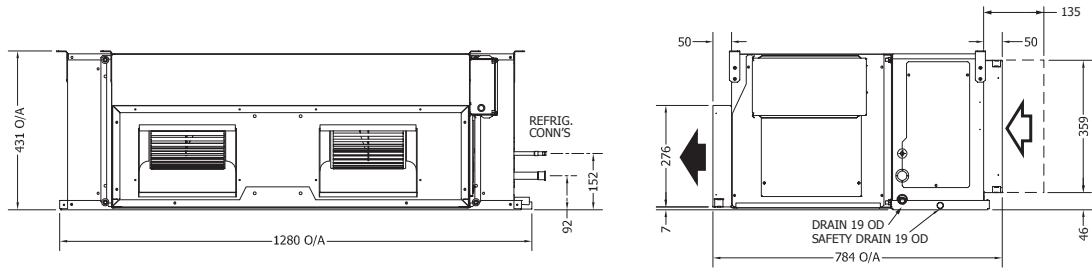
Not to Scale

ISD 171LYX Indoor Unit

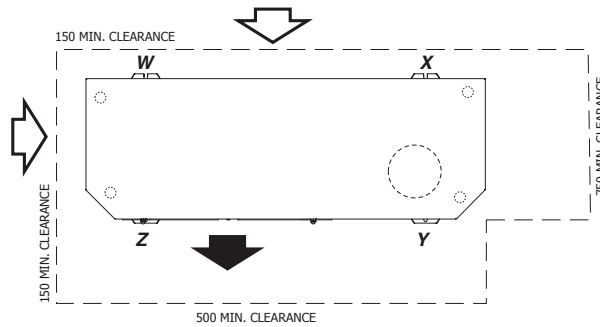


POINT LOADS (kg)			
W	X	Y	Z
22	13	24	9

Note: Fan motor can be accessed from panel above, below or sides; no more than two panels at once.

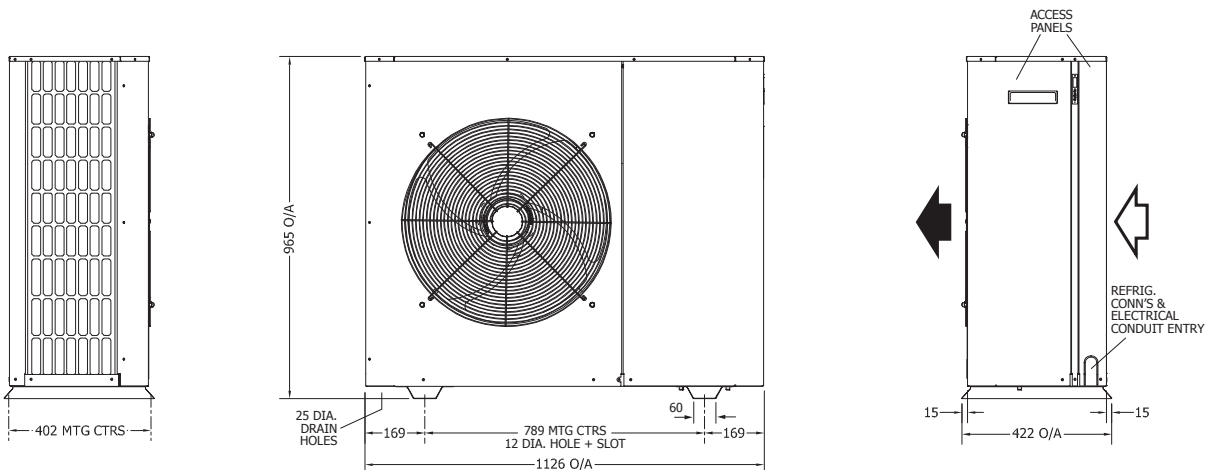


OSA 171RLSF Outdoor Unit



POINT LOADS (kg)			
W	X	Y	Z
27	21	42	11

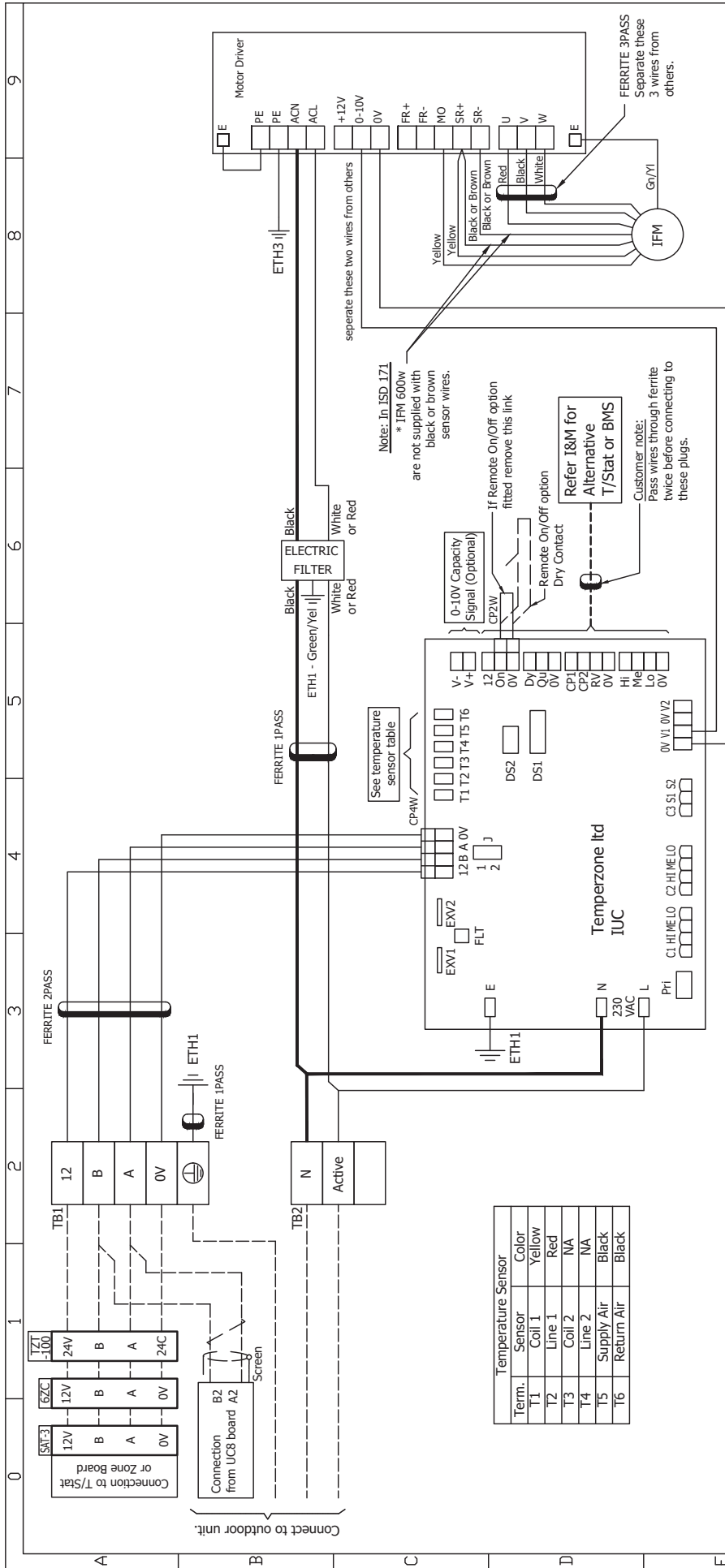
Recommended Connecting Pipe Sizes
 Suction : 19 mm OD
 Liquid : 10 mm OD



NOTE

Specifications are subject to change without notice due to the manufacturer's ongoing research and development programme.

Indoor-Outdoor Connection Wiring: refer 'Installation & Maintenance' pamphlet, page 6.



Site commissioning DIP switch setting options

Step 1: Set Output Voltage for HIGH		Step 2: Set Voltage Range LOW-HIGH			
DIP 1	DIP 2	DIP 3	DIP 4	DIP 5	RANGE
Off	Off	Off	Off	Off	2
On	Off	Off	Off	Off	3
On	Off	Off	Off	On	4.5
On	On	Off	Off	On	6
On	On	Off	On	On	4
On	On	On	Off	On	3
On	On	On	On	On	2

Notes:

- To adjust indoor fan speed L/M/H settings, see section 5.2.6 of Installation & Maintenance document

Position	Definition
1	Cable length > 10m and IUC is at terminating of cable.
2	Cable length < 10m and/or not at cable terminating end. (DEFAULT)

Factory Default DIP switch Selections for Models

UNIT	DS1 DIP switch selections				DS2 DIP switch selections			
	DIP 1	DIP 2	DIP 3	DIP 4	DIP 1	DIP 2	DIP 3	DIP 4
ISD171	On	On	Off	Off	On	Off	Off	Off
ISD211	On	On	Off	Off	On	Off	Off	Off
ISD251	On	On	Off	Off	On	Off	Off	Off

Temperature Sensor

Term.	Sensor	Color
T1	Coil 1	Yellow
T2	Line 1	Red
T3	Coil 2	NA
T4	Line 2	NA
T5	Supply Air	Black
T6	Return Air	Black

Temperature Sensor

Term.	Sensor	Color
T1	Coil 1	Yellow
T2	Line 1	Red
T3	Coil 2	NA
T4	Line 2	NA
T5	Supply Air	Black
T6	Return Air	Black

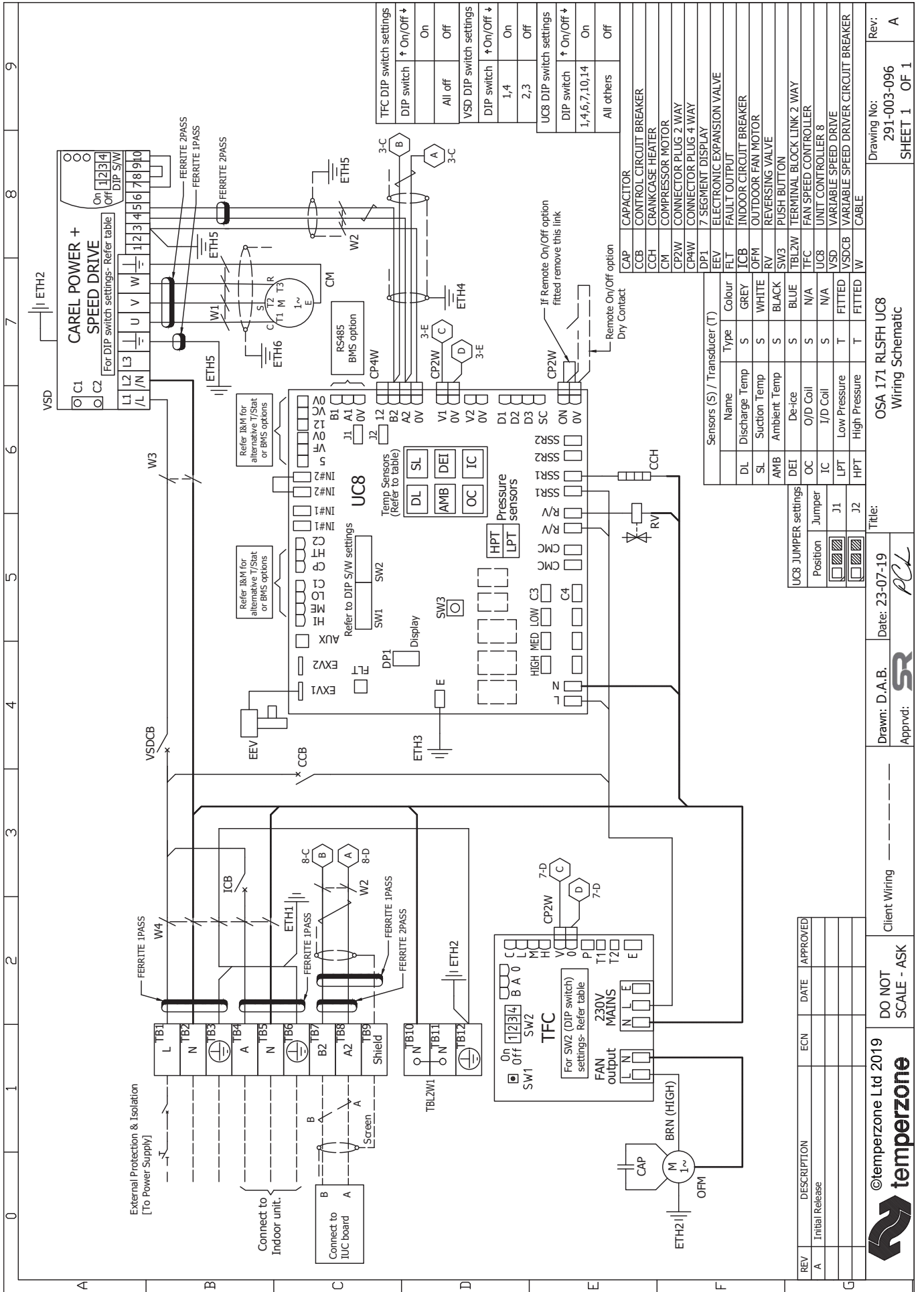
Temperature Sensor

Term.	Sensor	Color
T1	Coil 1	Yellow
T2	Line 1	Red
T3	Coil 2	NA
T4	Line 2	NA
T5	Supply Air	Black
T6	Return Air	Black

Revision History

REV	DESCRIPTION	ECN	DATE	APPROVED
A	Initial Release			
B	EMC compliance updates.	N4327	26-08-20	A.W.G.
C	Temp Sensor T2 color Red was Blue	N4345	30-12-20	R.P.B.
D	Updated DIP switch settings for ISD 211 and 251	5027	24-03-22	R.K.

Indoor-Outdoor Connection Wiring: refer 'Installation & Maintenance' pamphlet, page 6.



Rev: A
Drawing No: 291-003-096
SHEET 1 OF 1

Title: OSA 171 RLSFH UC8
Wiring Schematic

Drawn: D.A.B. Date: 23-07-19
Apprvd: *SR*

Client Wiring

DO NOT SCALE - ASK

©temperzone Ltd 2019

REV	DESCRIPTION	ECN	DATE	APPROVED
A	Initial Release			