




Ducted Split Systems

Technical Data

ISD 171, 211, 251, 351 Econex R32



Cooling Capacity
14.8kW – 35.1kW



Heating Capacity
14.9kW – 35.0kW



Ducted Split System R32 Air Conditioners

ISD 171 – 351 Econex

ISD 171–351 LYX SERIES		PERFORMANCE DATA	
General	3	Cooling Capacity (kW)	9
Applications		Heating Capacity (kW)	10
Features		Indoor Air Flow Correction Factors	10
Lower GWP	4	Air Handling	11
User Friendly	4	Sound Levels	
Economy	4	Indoor Unit	12
Efficient	4	Outdoor Unit	13
Performance	4		
Air Flow Selection	4		
Separable	4	DIMENSIONS	
Quiet	5	ISD Indoor Unit	14
Slimline	5	OSA Outdoor Unit	16
Durable	5		
Insulation	5	SPECIFICATIONS	18
Control Option	5		
Zone Controls	5		
Self Diagnostic	5		
Accessories	6		
Safety Features	6		
Compressor	6		
Refrigeration Piping	6		
Wiring	6		
CONTROLS			
TZT-100 Controller (Optional)	7		
SAT-3 Controller (Optional)	8		



Ducted Split System R32 Air Conditioners

ISD 171 – 351 Econex

The ISD indoor units, together with their associated OSA outdoor units, provide a variable capacity reverse cycle (heat pump) split system air conditioner designed and developed to comply with and exceed Minimum Energy Performance Standards (MEPS AS/NZS 3823). Each system has been successfully tested at 52°C ambient.





Ducted Split System R32 Air Conditioners

ISD 171 – 351 Econex

Applications

These units have been specifically developed for air conditioning of light commercial and residential premises, e.g. offices, motels shops and homes. Suitable for applications using high proportions of fresh air (nb pre-heating on heating cycle may be required). Also suitable for VAV, close control and supply air temperature control.

Features

Lower GWP

Utilising R32 Refrigerant, Temperzone's Econex Ducted Splits enable a 75-80% reduction of Global Warming Potential (GWP) per kW of cooling when compared to R410A units.

User Friendly

The air conditioning system is available with an optional SAT-3 Controller or TZT-100 Controller which is wired to the Indoor or Outdoor unit. These thermostats have been designed to maintain a high level of comfort for room occupants. Emphasis has been placed on providing controls that are easy to install and use – despite the sophisticated microprocessor system that runs it. Use of the Auto and Timer function settings allows you to “set it and forget it”.

Economy

Each ISD/OSA system has a variable capacity compressor which uses less energy than alternative types of compressor.

Efficient

Indoor units include a high efficiency electronically commutated (EC) motor. Part load operation at low loads (75% airflow equates to 55% power use) using Temperzone algorithms. Each outdoor unit incorporates a high efficiency **inverter** compressor. Heat exchange coils use inner grooved (rifled) tube for better heat transfer.

Performance

The variable capacity inverter compressor technology can provide close comfort control of the room temperature. Each OSA outdoor unit has an extra boost capacity available for fast response when well away from set point at start-up, and an energy saving low capacity turn-down.

A dynamically balanced forward curved fan with a multi-speed EC motor enables fine tuning of the indoor unit to match the supply air requirements. These EC motor fans have a fully integrated speed control that enables soft starting. Fan speed can be stepped to your own requirements or continuously variable using a 0–10V DC control signal.

The system also includes a temperature sensing head pressure control which enables the system to compensate for outdoor ambient temperatures below 20°C on cooling cycle, and above 15°C on heating cycle.

Air Flow Selection

If the air returning to the indoor coil is regularly expected to be above 50%RH, then the coil face velocity should be limited to be 2.5 m/s or less.

High humidity levels can occur in tropical or subtropical conditions, and/or when heavily moisture laden fresh air is introduced. Consideration must always be given to selecting an air flow and face velocity that avoids water carry-over problems.

Applications using high proportions of fresh air should be referred to your nearest Temperzone sales office to establish the correct selection of units.

Separable

The ISD 171/211/251 indoor units are separable for ease of installation through small man holes – minimum 550 mm sq. clear aperture. It may be desirable in some applications to keep the two separate parts of the unit apart and joined by ducting, eg over a ceiling joist. A pair of the optional Spigot Plate Adaptors are available to facilitate this option.



Ducted Split System R32 Air Conditioners

ISD 171 – 351 Econex

Features

Quiet

Each integral high efficiency EC motor can vary from zero to full speed. This allows slow ramp up with no sudden noise change. The motor can be controlled to have the best air flow for the ducting and requirements as well as used for de-humidifying the space.

The outdoor units' coil design permits low fan speeds and hence low noise levels. The compressor is isolated in a built-in, insulated compartment to minimise noise. The indoor unit is also insulated for noise attenuation and to prevent exterior condensation.

Slimline

The compact up-right design of the outdoor units requires only a 150 mm gap on the coil side where installation is against a wall. Their slimline cabinets are particularly practical where there is restricted space, e.g. side access pathways, balconies, narrow ledges, etc. The unit is free standing, but can be fitted on a wall using the optional wall mounting brackets.

Note: OSA 351 is a vertical discharge unit.

Durable

Both indoor and outdoor coil fins are epoxy coated for extra protection in corrosive environments, e.g. salt laden sea air. Each outdoor unit's cabinet is constructed from high grade galvanised steel - polyester powder coated (grey) for all weather protection (IP 44). External fasteners are SKT® coated steel. Heat exchange coils comprise aluminium corrugated plate fins on mechanically expanded rifled copper tube. Each indoor unit's cabinet is constructed from high grade galvanised steel and includes a plastic drain tray for complete corrosion resistance and a galvanised steel safety drain tray.

Inverter Compressor

Each high efficiency variable capacity inverter compressor is hermetically sealed, quiet running and supported on rubber mounts to minimise vibration. Inverter compressors provide the economy of part load performance.

Soft Starting

EC motors and inverter compressors are soft starting therefore have none of the problems associated with high inrush current.

Insulation

Closed cell foam insulation has been used in the indoor units' cabinet to ensure no particles are introduced into the air stream. Both indoor and outdoor units are insulated to prevent external condensation forming on the cabinet exterior. The insulation is foil faced and meets fire test standards AS 1530.3 (1989) and BS 476 parts 6 & 7.

Control Option

Commissioning is made easier when the EC motor is to be controlled variably (within a restricted range, p11) by a 0–10 volt DC signal that can be supplied either by a BMS system, a sophisticated controller or Temperzone's optional TZT-100 Controller.

The systems' UC8 controller is BMS compatible with multi-unit control possible – either via digital and analogue signals or via Modbus. Refer to temperzone for other protocols available.

Zone Control

ISD-LYX versions using SAT-3 controller can be fitted with the optional Zone Control kit which allows up to 6 zone dampers to be switched from the SAT-3 wall control. Standard damper motors, 24 volt ac, can be used with drive open/drive close.

An iZone Premium Control system including WiFi is also available – for information visit www.temperzone.biz; model search 'iZone Wall Control'.

Note: Consideration must be given to the minimum floor area requirements of R32 refrigerant..

Safety Features

1. HP and loss of refrigerant protection.
2. Anti-rapid cycle timer and internal overload for
3. Compressor protection.
4. Circuit breaker control circuits.
5. Time-and-temperature controlled electronic de-ice switch prevents icing up of the outdoor coil during heating cycle.
6. Frost protection on cooling cycle.
7. Sensor fault indication.
8. Compressor minimum run time to ensure oil return.
9. 12V control circuit.

Self Diagnostics

The Outdoor Unit Controller (UC8) has a LED display to indicate faults and running conditions. A non-specific fault indicator is included for interface to external systems via the optional relay board.



Ducted Split System R32 Air Conditioners

ISD 171 – 351 Econex

Features

Refrigeration Piping

Maximum line length is 60m; except for ISD 351: 90m.

Max. height separations between units are:

Outdoor unit above indoor unit: 20m

Outdoor unit below indoor unit: 20m.

Each OSA unit is shipped from the factory with a charge of R32 refrigerant sufficient for a line length of: ISD 171–251: 15m, ISD 351: 10m. Liquid and suction service valves are provided. The matched indoor unit is shipped with a holding charge of nitrogen. Both units have brazed pipe connections.

Wiring

The electrical supply required (including voltage fluctuation limits) is:

OSA 171RLS:

1 phase 220–240 V a.c. 50 Hz with neutral and earth.

OSA 171/211/251/351 RLT:

3 phase 380–415 V a.c. 50 Hz with neutral and earth.

A control panel, located in each outdoor unit, is fully wired ready to accept the main power supply. Each system complies with the requirements of the Regulatory Compliance Mark (RCM) for electrical safety (AS/NZS 60335.2.40) and EMC (AS/NZS CISPR.14).

Provision has been made for compliance with DRED, ie demand response enabling device standard AS/NZS 4755.3.1.

Accessories

Indoor Unit:

1. temperzone SAT-3 Controller or TZT-100 Controller.
2. Six Zone Control kit for SAT-3.
3. iZone Premium Controller.
4. Spring mounting kit.
5. Supply & return air spigots (available in New Zealand only)
6. Spigot Plate Adaptors – Double Inlet, for use when separating ISD 171–251 indoor units (available in New Zealand only).

Filter Box c/w EU2/G2 rated filter (ISD 171/211/251) or EU4/G4 rated filter (ISD 351); (available in New Zealand only).

Outdoor Unit:

1. Louvre Guard Kit (excl. OSA 351) for hail protection.
2. Wall mounting brackets (excl. OSA 251 & 351).
3. Anti-vibration mounts (rubber)
4. Drain connection - right angle
5. Fault relay board (201-000-105)



Ducted Split System R32 Air Conditioners

Controls

TZT-100 Controller (Optional)



Features

- Cool / Cool Dry / Heat / Auto Dry / Auto / Fan Only modes.
- Auto / High / Medium / Low fan speed selection. (customisable).
- Temperature setting range from 1°C – 38°C.
- LED to indicate status of the unit [Power On/Off].
- Room & set temperature display.
- Real time clock.
- 12 or 24 hour time display.
- °C or °F display.
- **7 day timer** – up to two events (four start and/or stops per day)
- On demand countdown run timer, up to 9 hours.
- Auto-Restart or No Restart after power failure.
- Continuous or Intermittent selection of fan run-on in dead zone.
- Backlit screen for ease of reading.
- Soft touch tab keys.
- PIN protected menus (Installer PIN).
- Keypad and/or temperature lock.
- Filter monitor option (by hours).
- Occupancy sensor inputs.
- Integrated Modbus option.
- Battery backup (Lithium).
- **Sleep function** – improves night time comfort and saves energy.
- Audible beep to acknowledge key entry or wireless remote control.
- 24V control cable.
- Optional remote air temperature sensor.

Optional:

Remote return air sensor

For more information visit www.temperzone.biz; model search 'TZT-100'



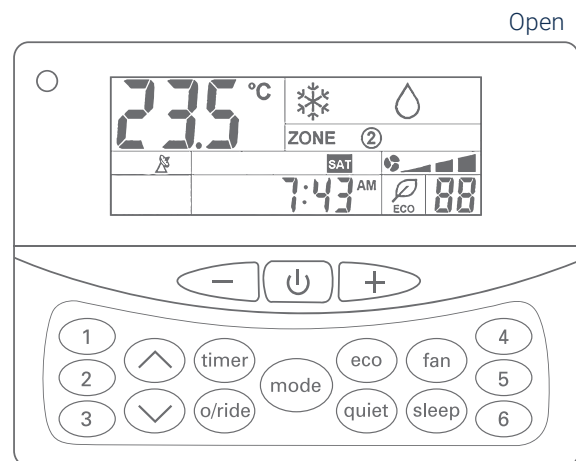
Ducted Split Systems R32 Air Conditioners

Controls

SAT-3 Controller (Optional)



Closed



Open

Features

- Cool / Dry / Fan modes.
- Heat / Auto modes.
- Auto / High / Medium / Low fan speed selection (customisable).
- Temperature setting range from 16°C – 30°C.
- Room temperature display.
- Real time clock.
- **7 day timer** – up to four start and/or stops per day.
- Override countdown run timer, up to 4 hours.
- Continuous or Intermittent selection of fan run-on in dead zone.
- Backlit screen for ease of reading; changes colour for each mode.
- Soft touch tab keys.
- Battery backup (Lithium).
- **Sleep function** – improves night time comfort and saves energy.
- **Eco mode** – for economical operation.
- **Quiet mode** – for outdoor unit.
- Low voltage control cable.
- Connects to either indoor unit or outdoor unit.
- **Colour:** white and light grey.

Optional:

1. Remote return air sensor
2. Six Zone Control kit

For more information visit www.temperzone.biz; model search 'SAT--3'.



Ducted Split System R32 Air Conditioners

Performance Data

Cooling Capacity (kW)

- T = Total Capacity (kW)
- S = Sensible Capacity (kW)
- EAT = Entering Air
- = Nominal Capacity (kW)

Note: Capacities are **gross** and do not include allowance for fan motor heat loss. Capacities are for close coupled systems. Interconnecting pipework will reduce capacity.

Models	Indoor Fan		Indoor coil EAT		Outdoor coil Entering Air Temperature °C DB															
					Speed	Air l/s	D.B. °C	W.B. °C	23		27		31		35		39		43	
									Total	Sens.	Total	Sens.	Total	Sens.	Total	Sens.	Total	Sens.	Total	Sens.
ISD 171 OSA 171	6 V	800	21	15	14.3	10.0	13.9	9.9	13.6	9.9	13.2	9.8	12.8	9.7	12.4	9.6				
			23	17	15.1	10.0	14.8	10.0	14.4	9.9	14.0	9.8	13.6	9.7	13.2	9.6				
			27	19	16.0	11.9	15.6	11.9	15.2	11.8	14.8	11.8	14.4	11.7	14.0	11.6				
			31	21	17.1	13.7	16.7	13.7	16.3	13.7	15.8	13.6	15.4	13.6	15.0	13.5				
ISD 211 OSA 211	6.5 V	1050	21	15	18.6	13.2	18.2	13.2	17.8	13.2	17.4	13.2	17.0	13.1	16.5	12.9				
			23	17	19.7	13.3	19.3	13.3	18.9	13.3	18.5	13.2	18.0	13.1	17.5	13.0				
			27	19	20.9	15.9	20.5	15.9	20.0	15.9	19.5	15.9	19.0	15.8	18.5	15.6				
			31	21	22.3	18.3	21.9	18.3	21.4	18.4	20.9	18.3	20.3	18.3	19.8	18.2				
ISD 251 OSA 251	7 V	1300	21	15	22.3	16.5	21.9	16.5	21.4	16.4	20.9	16.3	20.3	16.1	19.7	15.9				
			23	17	23.7	16.6	23.2	16.6	22.6	16.5	22.1	16.4	21.5	16.2	20.8	16.0				
			27	19	25.0	19.7	24.5	19.7	23.9	19.6	23.3	19.5	22.7	19.4	22.0	19.1				
			31	21	26.7	22.5	26.1	22.6	25.5	22.6	24.9	22.5	24.2	22.4	23.5	22.1				
ISD 351 OSA 351	8 V	1900	21	15	34.1	24.5	33.2	24.4	32.2	24.1	31.4	23.9	30.4	23.5	29.4	23.1				
			23	17	36.1	24.7	35.2	24.5	34.2	24.3	33.2	24.0	32.2	23.6	31.1	23.2				
			27	19	38.2	29.3	37.2	29.2	36.2	29.0	35.1	28.7	34.0	28.4	32.9	27.9				
			31	21	40.7	33.7	39.7	33.6	38.6	33.4	37.5	33.2	36.3	32.9	35.1	32.4				

Refer page 10 for Indoor Air Flow Correction factors

Materials and specifications are subject to change without notice due to the manufacturer's ongoing research and development programme.



Ducted Split Systems R32 Air Conditioners

Performance Data

Heating Capacity (kW)

G = Gross Capacity kW, based on nominal air flow.
 N = Net Heating Capacity kW allowing for average defrost.
 ○ = Nominal Capacity (kW).

Models	Indoor Entering Air Temp. °C	Outdoor coil entering air temperature °C D.B.															
		-5		-3		-1		1		3		5		7		9	
Indoor Unit	D.B.	G	N	G	N	G	N	G	N	G	N	G	N	G	N	G	N
ISD 171 OSA 171	15	11.2	10.6	11.9	10.5	12.5	10.6	13.1	11.3	13.8	12.6	14.4	14.4	15.1	15.1	15.7	15.7
	20	11.1	10.5	11.7	10.3	12.3	10.5	13.0	11.1	13.6	12.5	14.3	14.3	14.9	14.9	15.5	15.5
	25	10.7	10.2	11.3	10.1	12.0	10.2	12.6	10.8	13.3	12.2	13.9	13.9	14.6	14.6	15.2	15.2
ISD 211 OSA 211	15	15.6	14.7	16.5	14.6	17.4	14.8	18.3	15.7	19.2	17.6	20.1	20.1	21.0	21.0	21.9	21.9
	20	15.4	14.6	16.3	14.4	17.2	14.6	18.1	15.5	19.0	17.4	19.9	19.9	20.8	20.8	21.7	21.7
	25	14.9	14.2	15.8	14.0	16.7	14.2	17.6	15.1	18.5	17.0	19.4	19.4	20.3	20.3	21.2	21.2
ISD 251 OSA 251	15	17.5	16.5	18.5	16.3	19.5	16.6	20.5	17.6	21.5	19.7	22.5	22.5	23.5	23.5	24.5	24.5
	20	17.3	16.3	18.3	16.1	19.3	16.4	20.3	17.4	21.3	19.5	22.3	22.3	23.3	23.3	24.3	24.3
	25	16.7	15.9	17.7	15.7	18.7	15.9	19.7	16.9	20.7	19.0	21.7	21.7	22.7	22.7	23.7	23.7
ISD 351 OSA 351	15	26.3	24.8	27.9	24.5	29.4	24.9	30.9	26.4	32.4	29.6	33.9	33.9	35.4	35.4	36.9	36.9
	20	26.0	24.5	27.5	24.2	29.0	24.6	30.5	26.1	32.0	29.3	33.5	33.5	35.0	35.0	36.5	36.5
	25	25.1	23.9	26.6	23.6	28.1	23.9	29.6	25.4	31.1	28.6	32.6	32.6	34.2	34.2	35.7	35.7

Indoor Air Flow Correction Factors @ nominal conditions

	Indoor Air Flow (%)			
	-20	-10	Rated	+10
Total Capacity	0.95	0.975	1.0	1.025
Sensible Capacity	0.90	0.950	1.0	1.050

Materials and specifications are subject to change without notice due to the manufacturer's ongoing research and development programme.



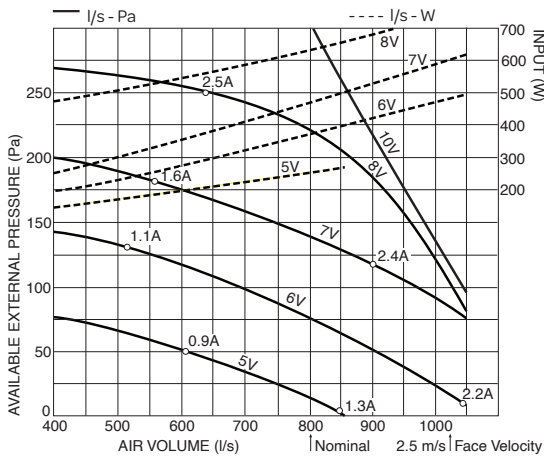
Ducted Split System R32 Air Conditioners

Performance Data

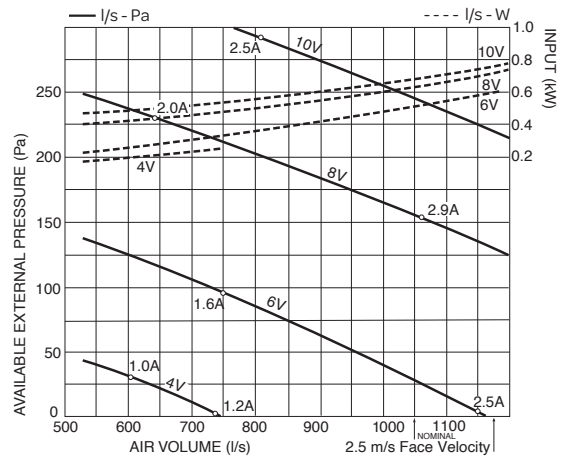
Air Handling

Airflows are for a dry coil. Reduce airflow by 10% in high moisture removal conditions. In a free blow application, beware of exceeding indoor fan motor's full load amp limit. Refer back page for filter losses. Air flows given are for ISD units without filter installed.

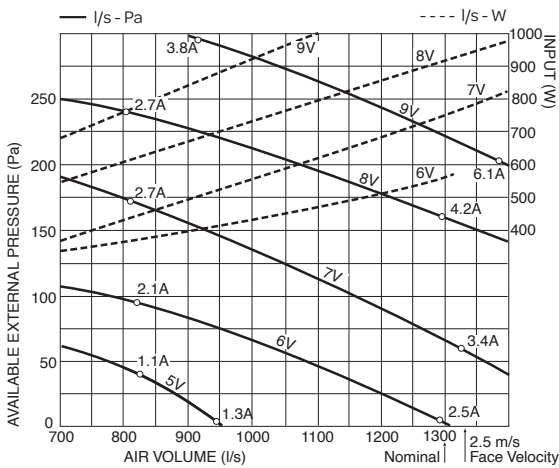
ISD 171



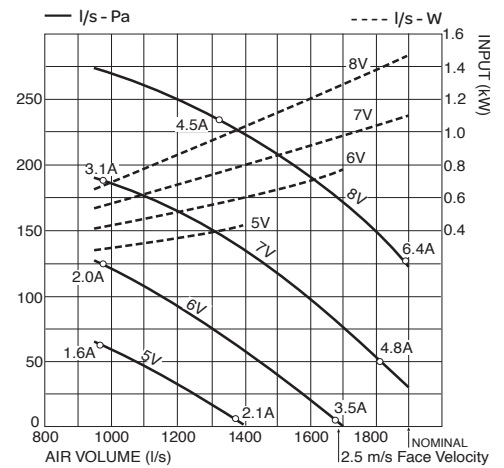
ISD 211



ISD 251

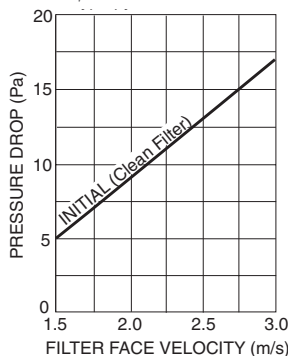


ISD 351

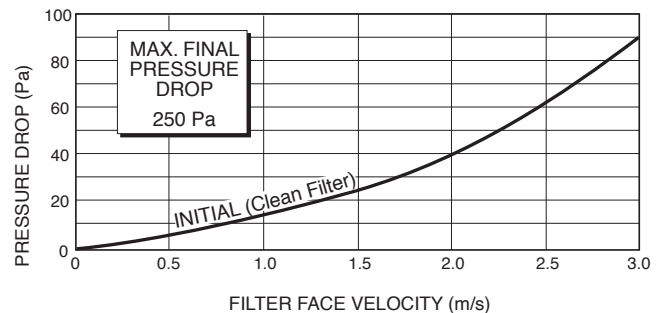


Filter Pressure Drop (optional Filter Box)

ISD 171-251: EU2/G2 rated filter media



ISD 351: EU4/G4 rated filter media





Ducted Split System R32 Air Conditioners

Performance Data

Sound Levels

Test Conditions: EN 12102-1:2017.
Diffuse field method in a reverberant room.
Measured in decibels re 1 picowatt.

Indoor Unit - Supply Air Outlet

Models	Fan Speed	Static (Pa)	SWL dB(A)	Octave Band Frequency Hz					
				125	250	500	1k	2k	4k
ISD 171	5 V	44	63	64	61	60	58	56	53
	6 V	65	69	70	66	65	64	61	60
	7 V	100	73	72	70	68	68	66	65
	8 V	180	75	74	72	69	70	67	66
ISD 211	6 V	60	70	68	65	65	65	62	60
	7 V	80	73	71	70	68	69	66	64
	8 V	100	77	74	73	72	73	70	68
	10 V	140	80	76	76	74	75	73	71
ISD 251	5 V	40	64	64	61	61	60	57	55
	7 V	75	74	71	69	69	69	66	66
	8 V	120	77	74	73	72	72	70	69
	9 V	150	80	75	75	74	75	73	72
ISD 351	5 V	31	64	63	60	61	60	57	53
	6 V	80	69	67	65	65	64	62	59
	7 V	110	73	72	69	69	69	66	64
	8 V	150	77	74	74	72	73	70	68

Sound Pressure Levels (SPL) Within A Room

Deduct the room absorption effect below from the Sound Power Levels (SWL) above to obtain Sound Pressure Levels within a room.
Note: Occupant at least 1.5 m from sound source.

Room type	Octave Band Frequency Hz					
	125	250	500	1k	2k	4k
Soft	4	8	11	11	11	11
Medium	3	7	8	9	9	9
Hard	0	1	3	4	4	5



Ducted Split System R32 Air Conditioners

Performance Data

Sound Levels

Outdoor Units

Models	Comp. %	SWL dB(A)	Octave Band Frequency Hz					
			125	250	500	1K	2K	4K
OSA 171	50	72	79	75	69	66	61	54
	75	72	79	74	70	67	62	57
	100	74	80	77	70	69	63	60
OSA 211	50	70	74	70	68	66	60	55
	75	72	76	70	71	67	61	57
	100	75	79	69	75	69	64	60
OSA 251	50	74	79	74	73	70	65	58
	75	75	80	75	72	69	65	58
	100	75	80	75	73	70	65	60
OSA 351	50	74	82	74	71	69	64	57
	75	74	81	75	71	69	66	59
	100	76	84	75	73	70	69	62

Note: Outdoor fans running at full speed

Models	Comp. %	SPL @ 3 m dB(A)	Sound Pressure Levels (SPL) dB					
			125	250	500	1K	2K	4K
OSA 171	50	56	63	59	53	50	45	38
	75	56	63	58	54	51	46	41
	100	58	64	61	54	53	47	44
OSA 211	50	54	58	54	52	50	44	39
	75	56	60	54	55	51	45	41
	100	59	63	53	59	53	48	44
OSA 251	50	58	63	58	57	54	49	42
	75	59	64	59	56	53	49	42
	100	59	64	59	57	54	49	44
OSA 351	50	58	66	58	55	53	48	41
	75	58	65	59	55	53	50	43
	100	60	68	59	57	54	53	46

Sound Pressure Level (SPL) in decibels re 20 µPa

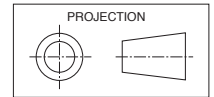


Ducted Split System R32 Air Conditioners

Dimensions (mm)

ISD Indoor Unit

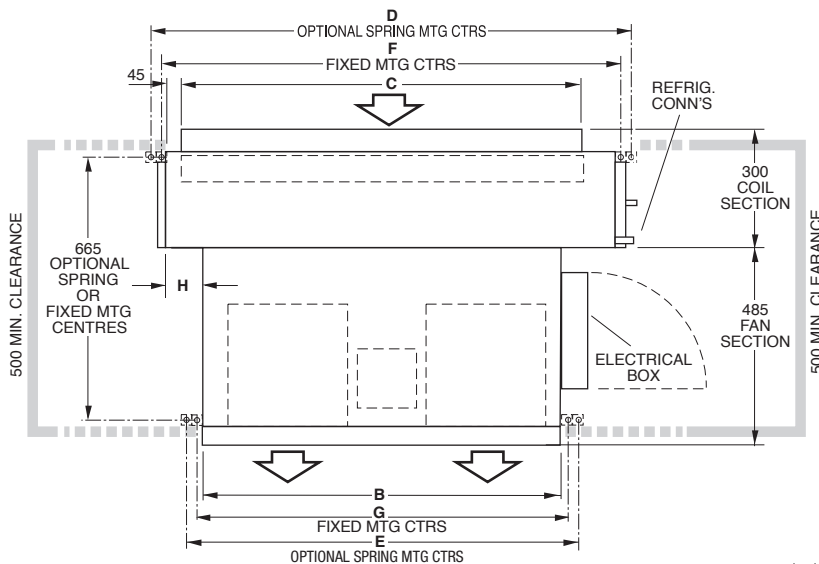
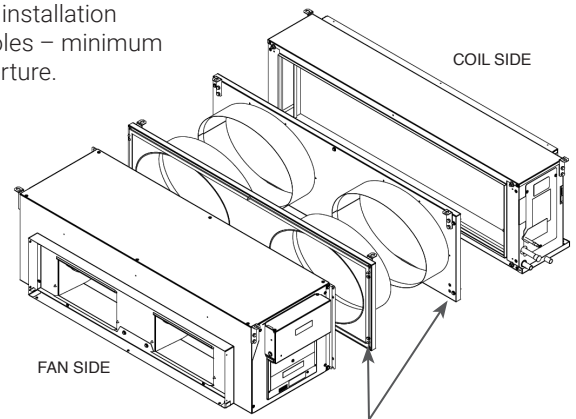
Model	Dimensions (mm)								Point Loads (kg)			
	A	B	C	D	E	F	G	H	W	X	Y	Z
ISD 171	1280	968	1099	1306	1066	1242	1003	120	16	19	17	16
ISD 211	1470	1098	1289	1496	1391	1433	1328	50	26	24	20	14
ISD 251	1630	1098	1450	1656	1391	1593	1328	120	24	26	21	20



Not to Scale

Note: Fan motor can be accessed from panel above or sides: no more than two panels at once.

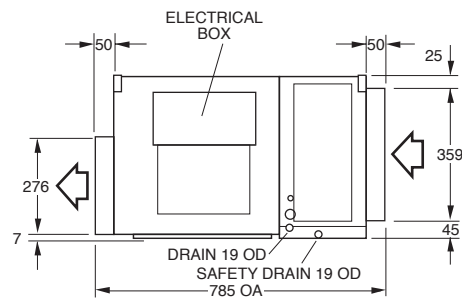
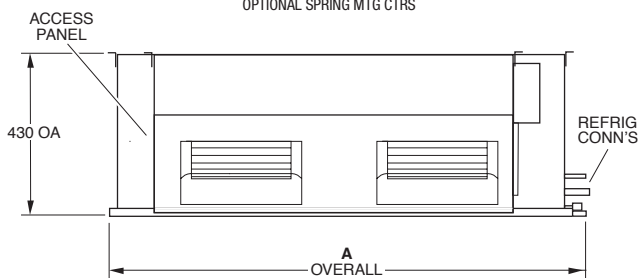
Separable for ease of installation through small man holes – minimum 550 mm sq. clear aperture.



OPTIONAL

Spigot plate adaptors (NZ only)
Double Inlet

- ISD 171: Ø400 mm
- ISD 211: Ø450 mm
- ISD 251: Ø450 mm



Materials and specifications are subject to change without notice due to the manufacturer's ongoing research and development programme.



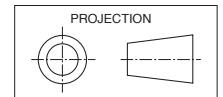
Ducted Split System R32 Air Conditioners

Dimensions (mm)

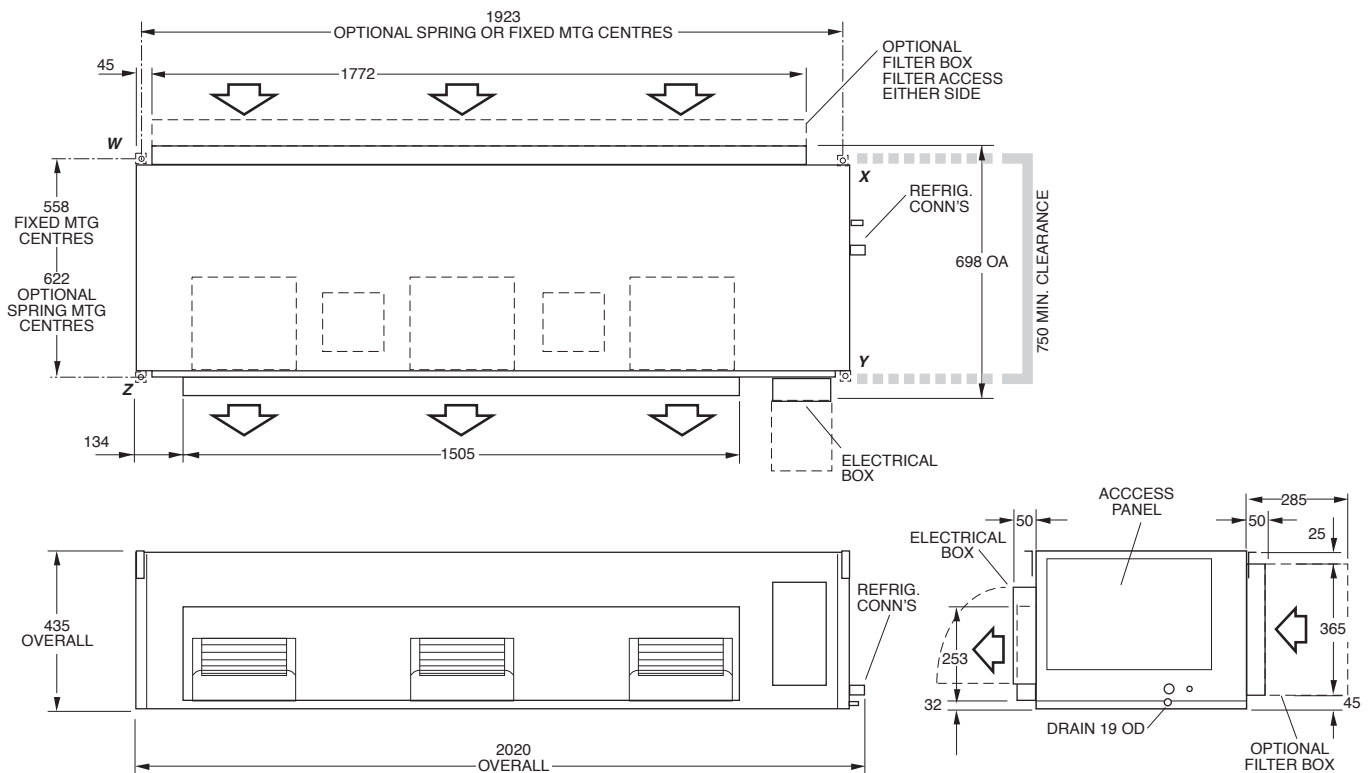
ISD Indoor Unit

Model	Point Loads (kg)			
	W	X	Y	Z
ISD 351	31	27	37	32

Note: Fan motor can be accessed from panel above or sides: no more than two panels at once.



Not to Scale



Materials and specifications are subject to change without notice due to the manufacturer's ongoing research and development programme.

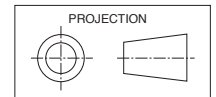


Ducted Split System R32 Air Conditioners

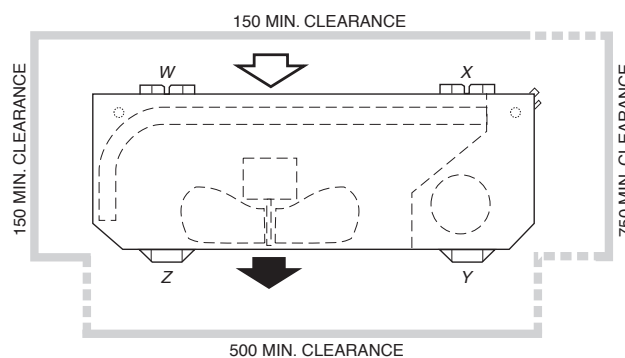
Dimensions (mm)

OSA Outdoor Unit

Model	Dimensions					Point Loads (kg)			
	J	K	L	M	N	W	X	Y	Z
OSA 171	965	789	402	169	1126	27	21	42	11
OSA 211	1270	789	402	169	1126	21	40	37	31
OSA 251	1372	889	442	209	1306	10	69	25	57

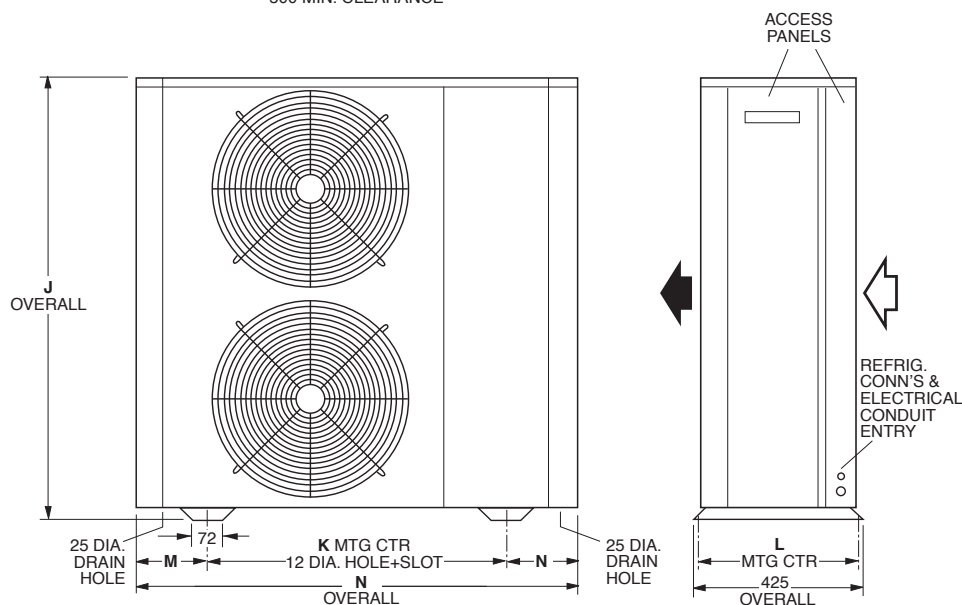


Not to scale



Note: The OSA 171 models have a single exhaust air fan.

Refer page 15 for recommended interconnecting pipe sizes



Materials and specifications are subject to change without notice due to the manufacturer's ongoing research and development programme.

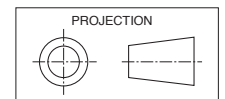


Ducted Split System R32 Air Conditioners

Dimensions (mm)

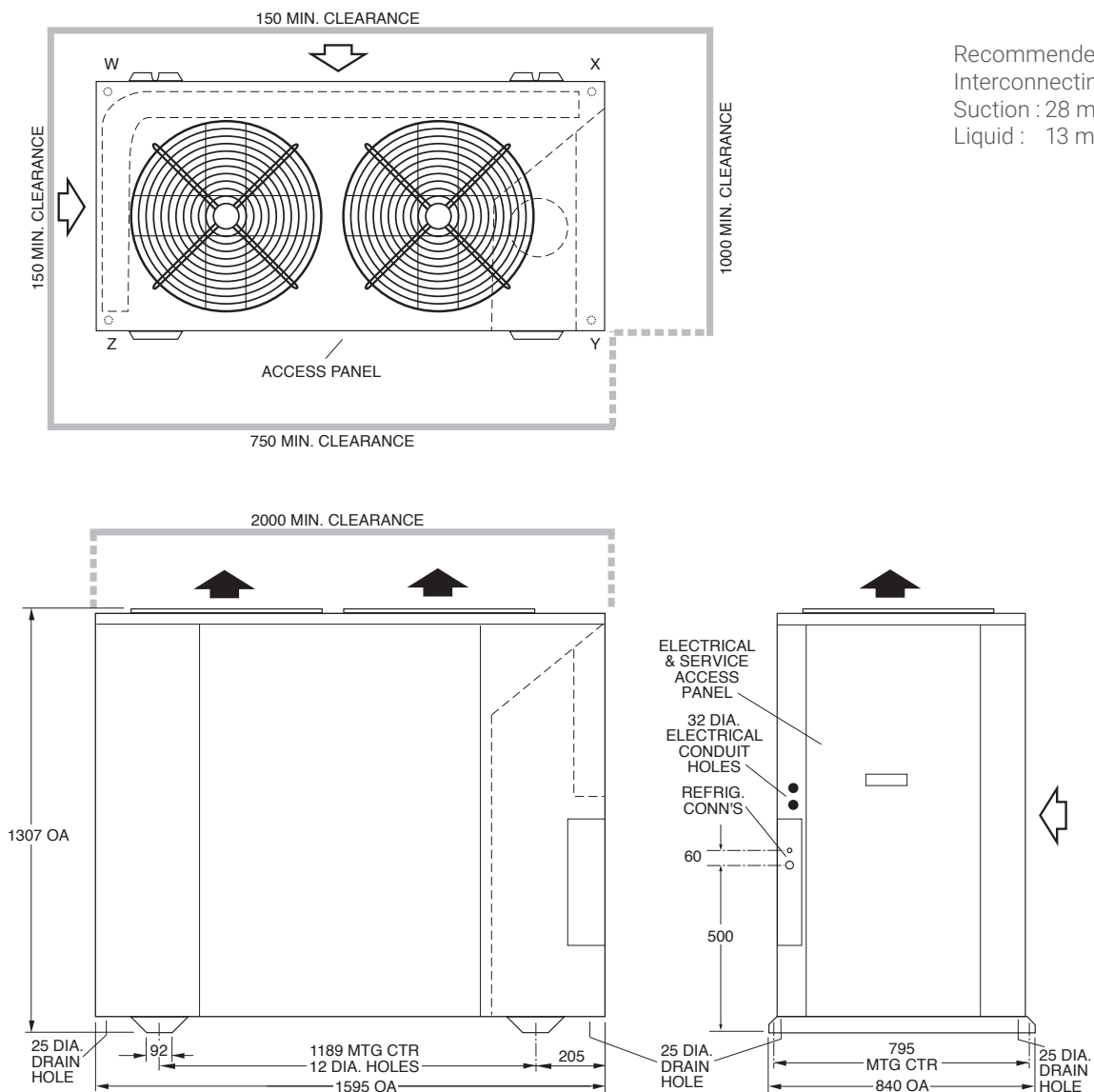
OSA 351 Outdoor Unit

Point Loads (kg)			
W	X	Y	Z
57	74	89	34



Not to scale

Recommended
Interconnecting Pipe Sizes
Suction : 28 mm OD
Liquid : 13 mm OD



Materials and specifications are subject to change without notice due to the manufacturer's ongoing research and development programme.



Ducted Split System R32 Air Conditioners

Specifications

econex
nex gen R32 inverter

System					
Indoor Unit	ISD 171LYX		ISD 211LYX	ISD 251LYX	ISD 351LYX
Outdoor Unit	OSA 171RLSFH	OSA 171RLTFH	OSA 211RLTFH	OSA 251RLTFH	OSA 351RLTFV
Cooling Capacity *1 kW	14.8 (8.6~18.5)		19.5 (9.4~25.3)	23.3 (13.3~29.5)	35.1 (15.0~43.0)
Net Cooling Capacity (MEPS) *1 kW	14.5		19	22.5	33.8
EER / AEER (cooling)	3.15 / 3.12	3.26 / 3.23	3.15 / 3.13	3.19 / 3.17	3.29 / 3.27
Heating Capacity *2 kW	14.9 (7.0~18.3)		20.8 (8.4~25.6)	23.3 (10.4~29.2)	35.0 (12.5~40.7)
COP / ACOP (heating)	3.28 / 3.25	3.42 / 3.39	3.57 / 3.54	3.48 / 3.45	3.59 / 3.57
Nominal Air Flow*3 l/s	800 (400~1000)		1050 (525~1180)	1300 (650~1330)	1900 (950~1900)
Sound Levels *4					
Indoor Unit (SWL)	69		71	74	77
Outdoor Unit (SPL)	56	56	55	59	58
Power Source *5	1 phase 230V	3 phase 400 V a.c. 50 Hz			
Compressor type	inverter				
Indoor Fan Max. Current A	3.5		6	6	13 (total)
Running Amps (Total) A/ph.	21	9 / 6.5 / 6.5	13 / 9 / 10	16 / 10 / 10.5	23 / 14 / 14
Max. Running Amps (Total) A/ph.	35	15 / 11 / 11	23 / 14.5 / 15.5	24 / 15.5 / 15.5	39 / 24 / 24
Refrigerant	R32				
Maximum Vertical Separation m	20		20	20	20
Maximum Line Length *6 m	60		60	60	90
Pipe Sizes (Suction/Liquid) mm OD	19 / 9.5		19 / 9.5	22 / 13	28 / 13
Operating Range (outdoor ambient)					
Cooling	-10°C to 52°C				
Heating	-15°C to 25°C				
Finish					
Indoor Unit	zinc galvanised steel				
Outdoor Unit	grey polyester powder coat				
Weight (net/shipping) kg					
Indoor Unit	68 / 78		86 / 97	89 / 161	124 / 140
Outdoor Unit	105 / 115	101 / 111	129 / 136	161 / 168	254 / 266

Notes:

*1 Nominal Cooling Capacity (gross) at AS/NZS 3823 conditions:

- Indoor Entering Air Temperature 27°C D.B., 19°C W.B.;
- Outdoor Entering Air Temperature 35°C D.B.

*2 Heating Capacity at AS/NZS 3823 conditions:

- Indoor Entering Air Temperature 20°C D.B.;
- Outdoor Entering Air Temperature 7°C D.B., 6°C W.B.

*3 Supply air flow at Nominal Cooling Capacity conditions stated above.

*4 Sound Levels are measured at nominal cooling capacity conditions stated above. SPL measured at 3m from unit and at full fan speed.

*5 Voltage range: Single phase systems 220–240 V;
Three phase systems 380–415 V

*6 Max. Line Length is the 'effective' line length once an allowance has been made for any bends and vertical piping on site.

Materials and specifications are subject to change without notice due to the manufacturer's ongoing research and development programme.



Ducted Split System R32 Air Conditioners

Notes

www.temperzone.biz

Auckland

Head Office

38 Tidal Rd, Mangere, Auckland
Private Bag 93303, Otahuhu
New Zealand

Email: sales@temperzone.co.nz

Phone: (09) 279 5250

Fax: (09) 275 5637

Sydney

Head Office

14 Carnegie Place, Blacktown
NSW 2148
PO Box 8064, Seven Hills West
NSW 2147, Australia

Email: sales@temperzone.com.au

Phone: (02) 8822 5700

Fax: (02) 8822 5711

Newcastle

Phone: (02) 4692 1155

Fax: (02) 4961 5101

Launceston

Phone: (03) 6331 4209

Fax: (03) 6333 0224

Hamilton

Phone: (07) 839 2705

Email: tzhamilton@temperzone.com

Adelaide

Phone: (08) 8115 - 2111

Fax: (08) 8115 2118

Singapore

Phone: +65 6733 4292

Fax: +65 6235 7180

Wellington

Phone: (04) 569 3262

Email: wgtn@temperzone.com

Melbourne

Phone: (03) 8769 7600

Fax: (03) 8769 7601

Christchurch

Phone: (03) 379 3216

Email: chch@temperzone.com

Brisbane

Phone: (07) 3308 8333

Fax: (07) 3308 8330

Perth

Phone: (08) 9314 3844

Fax: (08) 9314 3855

