

Indoor Unit	(845-211-001)	ISD 211LYX
Outdoor Unit	(846-211-003)	OSA 211RLTFH-S2 (inverter)
Cooling capacity (net) *		19.0
Cooling capacity range (gross)		9.4 ~ 25.3 kW
Heating capacity *		20.8 kW
Heating capacity range		8.4 ~ 25.6 kW
Electrical input - cooling		6.0 kW
Electrical input - heating		5.8 kW
EER / AEER (cooling) *		3.15 / 3.13
COP / ACOP (heating) *		3.57 / 3.54
Unit Controllers		UC8 / IUC
Refrigerant		R32
Refrigerant precharge for 15 m		5.2 kg
Minimum floor area (@2.4m below ceiling diffuser)		14.4 m ²
Additional charge req'd for over 15 m		60 g/m
Maximum line length		60 m
Max. charge / Min. floor area (below ceiling diffuser)		7.9 kg / 33.2 m ²
Separation limit: OSA above ISD		20 m
Separation limit: OSA below ISD		20 m
Suction line		19 mm OD
Liquid line		9.5 mm OD
Compressor oil type		POE-46 (NXG5020 or equivalent)
Additional oil charge over 40 m length		10 ml/m
Compressor type		inverter scroll
Power supply via OSA **		3 ph. 400 V ac 50 Hz + N + E
Compressor (3ph.) run amps at rating cond. *		9.0 A
Indoor fan motor size		1250 W
Rated indoor fan speed		6.5 V
Indoor fan motor (1ph.) - full load		6 A
Outdoor fan motor (1ph.) - full load		1 A (x2)
Outdoor fan capacitor size		5 µfd (x2)
Control circuit breaker (internal)		10 A
Running amps (total system) *		13.0 / 9.0 / 10.0 A
Max. running amps (total system)		23.0 / 14.5 / 15.5 A
RCD type recommended		type B, 30mA, 3 pole
Net weight ISD / OSA		86 / 129 kg

Accessories:

ISD Spring mounting kit	307-161-101
ISD Spigot plate adaptor Ø450 x 2 (NZ only)	525-311-715
ISD Filter box c/w EU2/G2 filter (NZ only)	493-000-006
ISD Replacement filter (NZ only)	119-000-082
ISD Supply air plenum Ø400 x 3 (NZ only)	492-000-005
ISD Return air plenum Ø400 x 3 (NZ only)	492-100-005
ISD Fresh air inlet spigot Ø150 (NZ only)	325-000-051
OSA Drain connection adaptor 25/13mm	060-000-039
OSA Anti-vibration mounts - rubber (x4)	060-000-170
OSA Wall mounting kit	526-061-007

Optional Controls:

SAT-3 Room temperature controller	201-000-146
Six Zone Control kit for SAT-3	201-000-073
TZT-100 Room temperature controller	201-000-350

Refer to temperzone for other options, eg remote sensors, connection wires.

* Tested in accordance with AS/NZS 3823

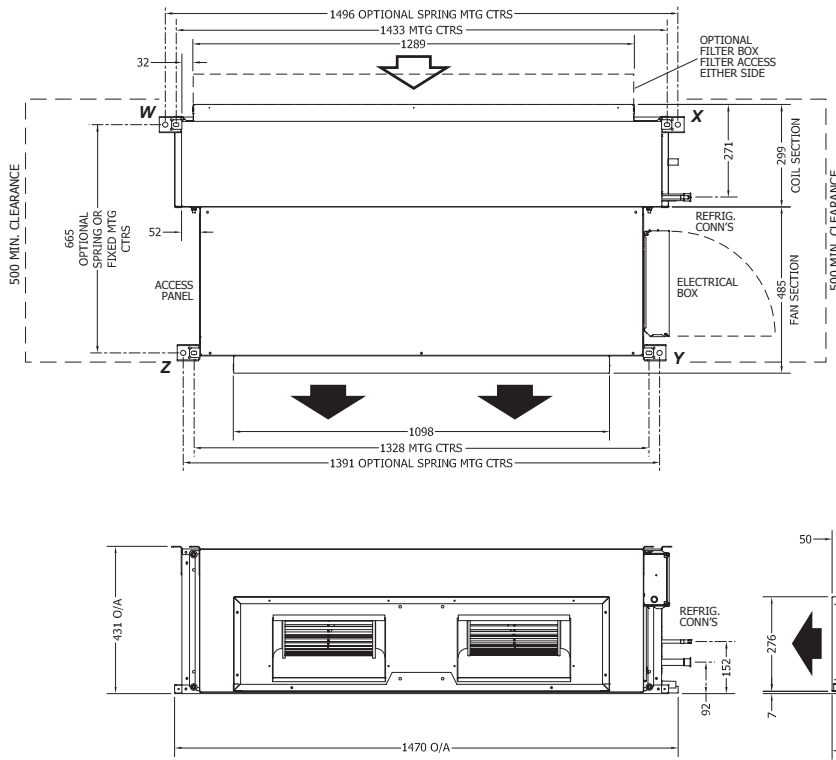
** Voltage range: 380–440V.

DIMENSIONS (mm)



Not to Scale

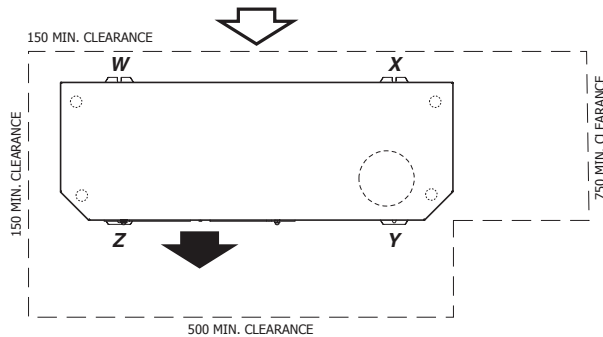
ISD 211LYX Indoor Unit



POINT LOADS (kg)			
W	X	Y	Z
21	24	21	20

Note: Fan motor can be accessed from panel above, below or sides; no more than two panels at once.

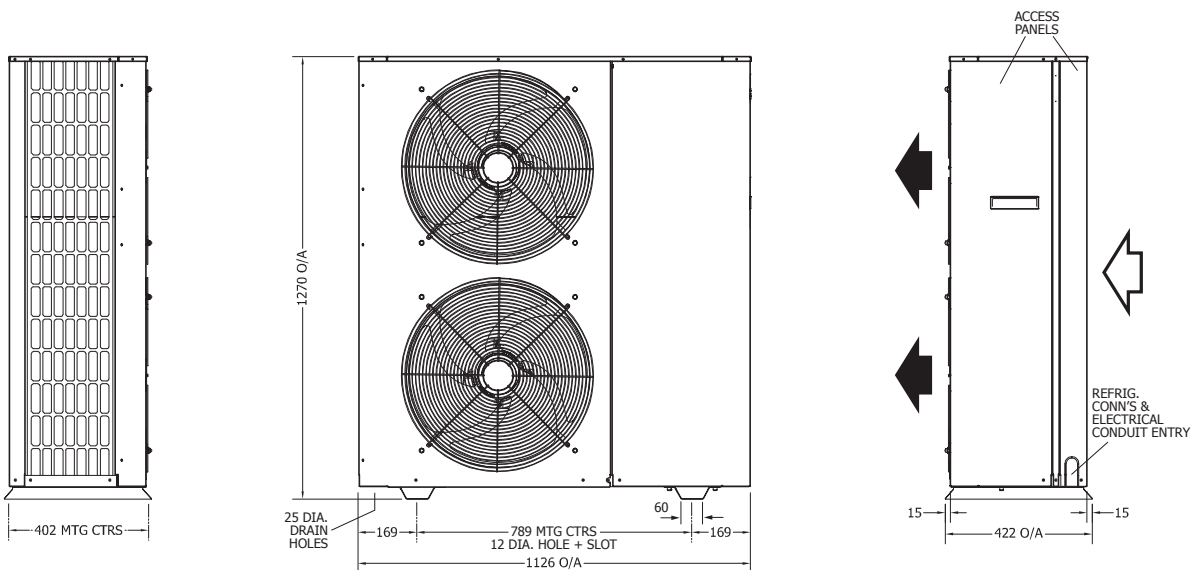
OSA 211RLTF Outdoor Unit



POINT LOADS (kg)			
W	X	Y	Z
21	40	37	34

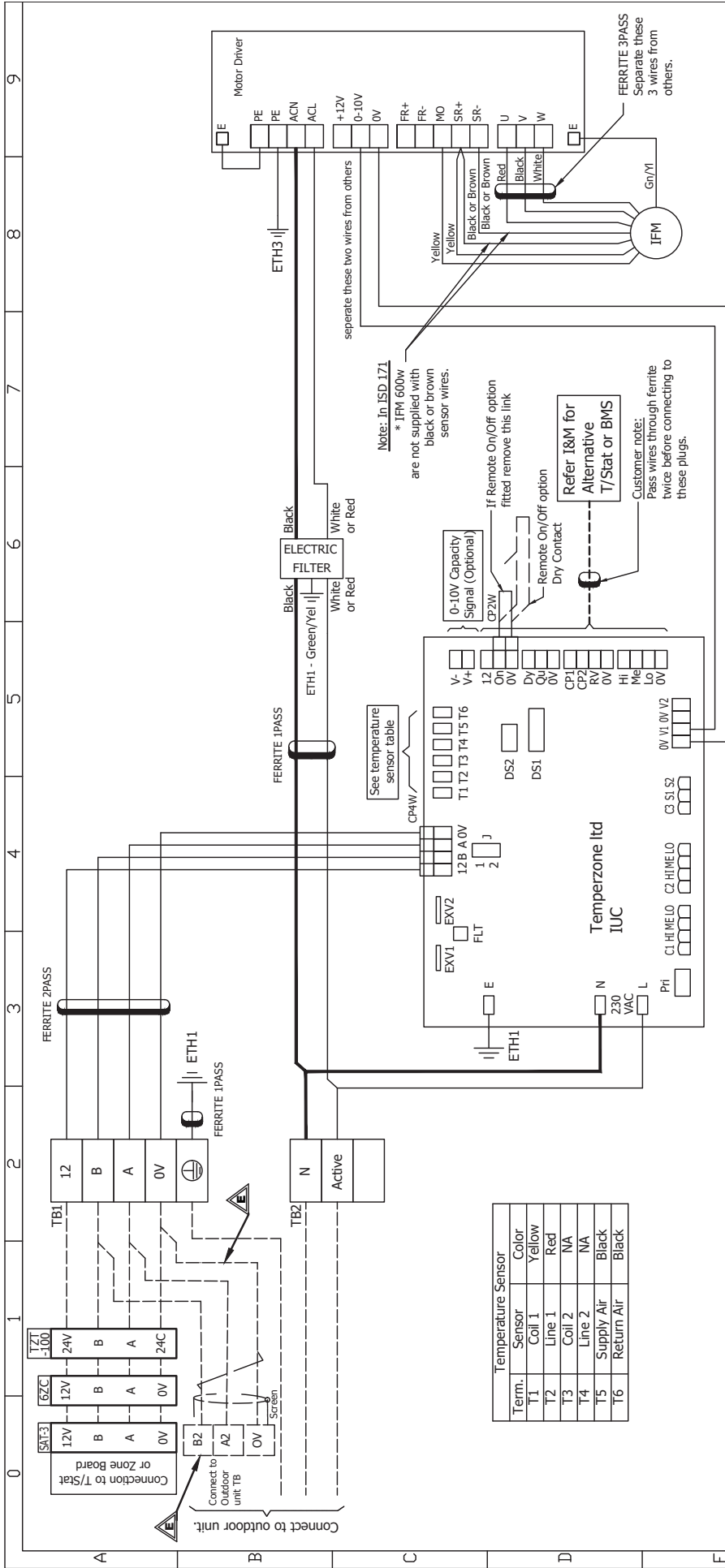
Recommended Connecting Pipe Sizes

Suction : 19 mm OD
Liquid : 9.5 mm OD



NOTE

Specifications are subject to change without notice due to the manufacturer's ongoing research and development programme.



Term.	Sensor	Color
T1	Coil 1	Yellow
T2	Line 1	Red
T3	Coil 2	NA
T4	Line 2	NA
T5	Supply Air	Black
T6	Return Air	Black

Step 1: Set Output Voltage for HIGH			Step 2: Set Voltage Range LOW-HIGH		
DIP 1	DIP 2	DIP 3	DIP 4	DIP 5	RANGE
On	Off	Off	Off	Off	2
On	Off	Off	On	Off	3
On	On	Off	Off	On	4.5
On	On	Off	On	On	6

6ZC	CP2W	CP4W	IFM	IUC	SAT-3	TB	TZ1-100
6 Zone Controller	Connector Plug 2 Way	Connector Plug 4 Way	Indoor Fan Motor	IUC	Indoor Unit Controller	SAT-3 Controller	Terminal block

IUC Board Jumper selection (J)	
Position	Definition
1	Cable length > 10m and IUC is at terminating of cable.
2	Cable length < 10m and/or hot at cable terminating end. (DEFAULT)

REV	MODIFICATION	DATE	REF	ENG
E	Added Terminal block & OV wire leading to outdoor unit TB.	05-04-23	ECN5094	G.S.S.
D	Updated DIP switch settings for ISD 211 and 251	24-03-22	ECN5027	R.K.
C	Temp. Sensor T2 color Red was Blue	30-12-20	N4345	R.P.B.
B	EMC compliance updates.	26-08-20	N4327	A.W.G.

UNIT	DS1 DIP switch selections				DS2 DIP switch selections			
	DIP 1	DIP 2	DIP 3	DIP 4	DIP 1	DIP 2	DIP 3	DIP 4
ISD171	On	On	Off	Off	On	Off	Off	Off
ISD211	On	On	Off	Off	On	Off	Off	Off
ISD251	On	On	Off	Off	On	Off	Off	Off

Client Wiring

DO NOT SCALE - ASK

©temperzone Ltd 2019

Drawn: D.A.B. Date: 24-07-19 Title: ISD 171/211/251 LYX Wiring Schematic

Apprvd: A.V.

Rev: E SHEET 1 OF 1

Notes:
To adjust indoor fan speed L/M/H settings, see section 5.2.6 of Installation & Maintenance document

Customer note:
Pass wires through ferrite twice before connecting to these plugs.

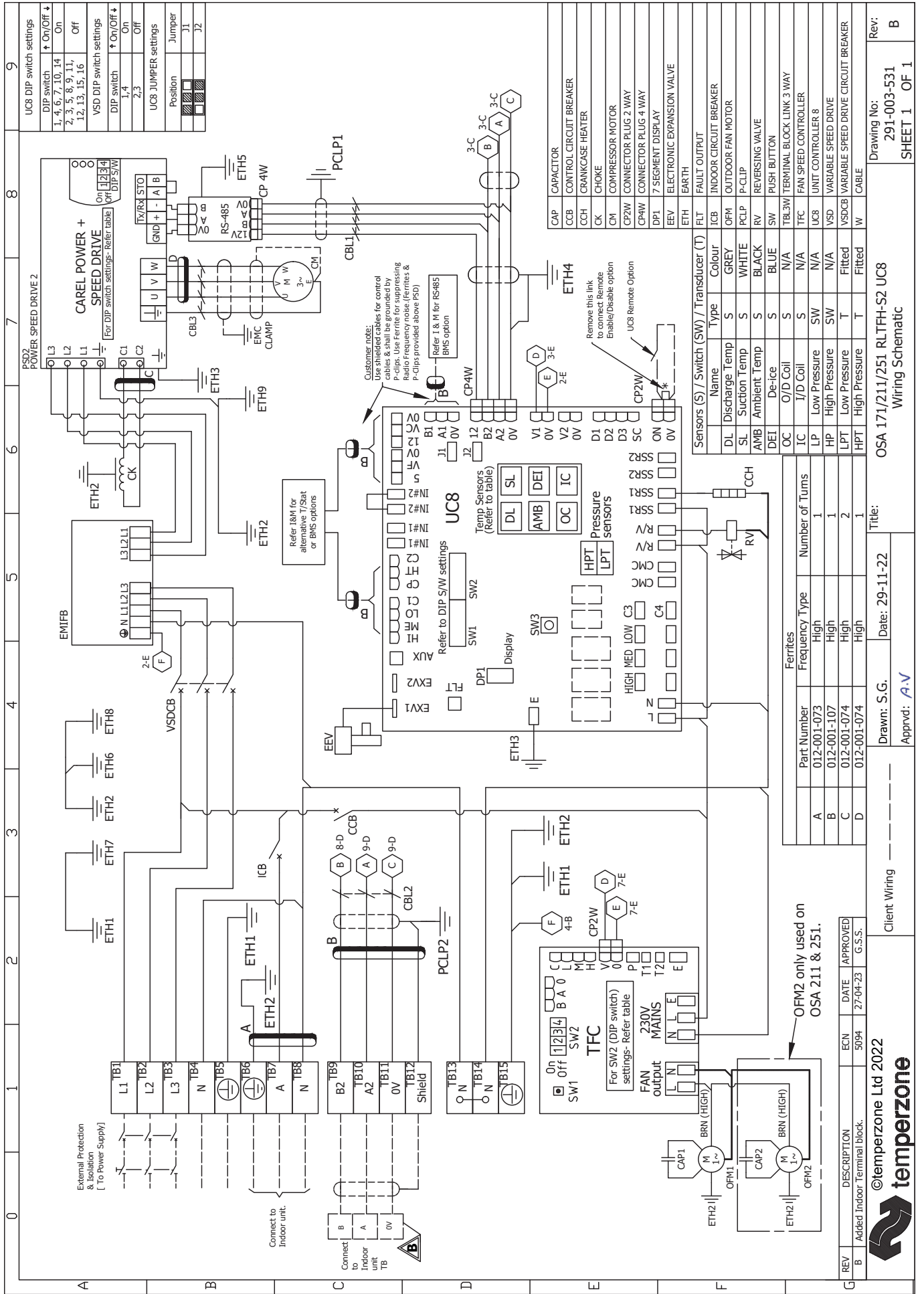
Refer I&M for Alternative T/Stat or BMS

Note: In ISD 171 * IFM 600w are not supplied with black or brown sensor wires.

If Remote On/Off option fitted remove this link

separate these two wires from others

FERRITE 3PASS Separate these 3 wires from others.



Rev: B
 Drawing No: 291-003-531
 SHEET 1 OF 1

Title: OSA 171/211/251 RLTFH-S2 UC8
 Wiring Schematic

Date: 29-11-22

Drawn: S.G.
 Approved: A.V.

Client Wiring

