

Indoor Unit	(845-251-001)	ISD 251LYX
Outdoor Unit	(846-251-003)	OSA 251RLTFH (inverter)
Cooling capacity range (gross)		13.3 ~ 29.5 kW
Cooling capacity (net) to AS/NZS 3823 T1		22.5 kW
Heating capacity range		10.4 ~ 29.2 kW
Heating capacity H1		23.3 kW
Electrical input - cooling		7.1 kW
Electrical input - heating		6.7 kW
EER / AEER (cooling)		3.19 / 3.17
COP / ACOP (heating)		3.48 / 3.45
Unit Controllers		UC8 / IUC
Refrigerant		R32
Refrigerant precharge for 15 m		8.25 kg
Minimum floor area (@2.4m below ceiling diffuser)		36.2 m ²
Additional charge req'd for over 15 m		105 g/m
Maximum line length		60 m
Max. charge / Min. floor area (below ceiling diffuser)		13 kg / 90 m ²
Separation limit: OSA above ISD		20 m
Separation limit: OSA below ISD		20 m
Suction line		22 mm OD
Liquid line		13 mm OD
Compressor oil type		POE-46 (NXG5020 or equivalent)
Additional oil charge over 40m line length		20 ml/m
Compressor type		Inverter scroll
Power supply via OSA		3 ph. 400V ac 50Hz
Compressor (3ph.) run amps at rating cond.		10 A
Indoor fan motor size		1250 W
Rated indoor fan speed		7 V
Indoor fan motor (1ph.) - full load		6 A
Outdoor fan motor (1ph.) - full load		1.5 A (x2)
Outdoor fan capacitor size		6 μ fd (x2)
Control circuit breaker (internal)		6 A
Running amps (total system)		16.0 / 10 / 10.5 A
Max. running amps (total system)		24.0 / 15.5 / 15.5 A
RCD type recommended		type B, 30mA
Net weight ISD / OSA		89 / 161 kg

Accessories:

ISD Spring mounting kit	307-161-101
ISD Spigot plate adaptor Ø450 x 2	525-311-715
ISD Filter box c/w EU4/G4 filter (NZ only)	493-000-007
ISD Replacement filter (NZ only)	019-400-002(x2), 019-400-003(x1)
ISD Supply air plenum Ø400 x 3 (NZ only)	492-000-005
ISD Return air plenum Ø400 x 3 (NZ only)	492-100-006
ISD Fresh air inlet spigot Ø200 (NZ only)	325-000-052
OSA Drain connection adaptor 25/13mm	060-000-039
OSA Anti-vibration mounts - rubber (x4)	060-000-170

Optional Controls:

SAT-3 Room temperature controller	201-000-146
Six Zone Control kit for SAT-3	201-000-073
TZT-100 Room temperature controller	201-000-350

Refer to temperzone for other options, eg remote sensors, connection wires.

Tested in accordance with AS/NZS 3823

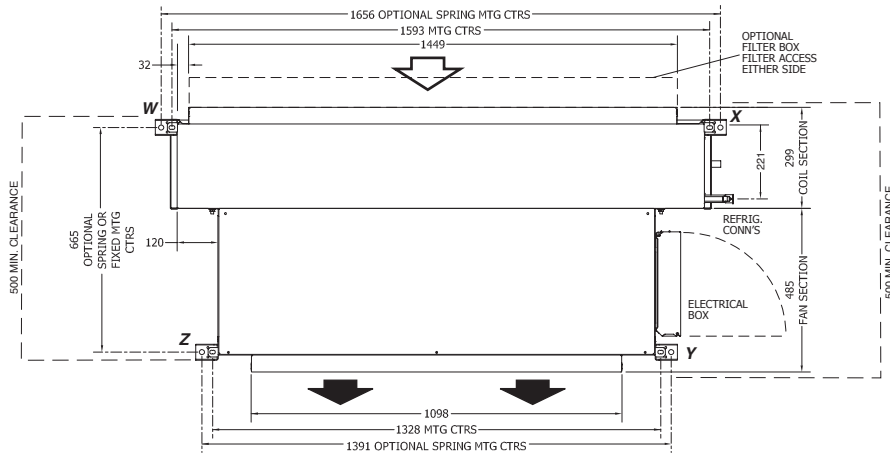
19046

DIMENSIONS (mm)



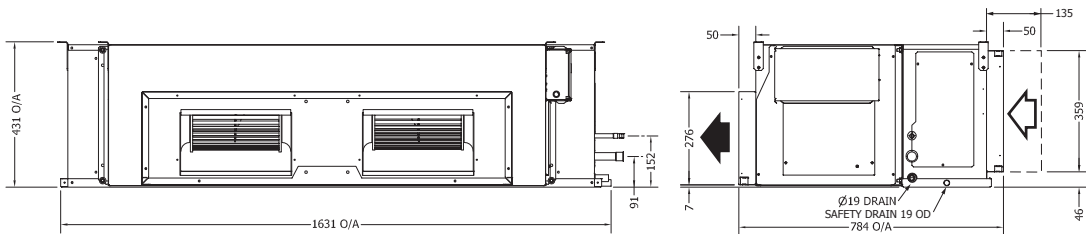
Not to Scale

ISD 251LYX Indoor Unit

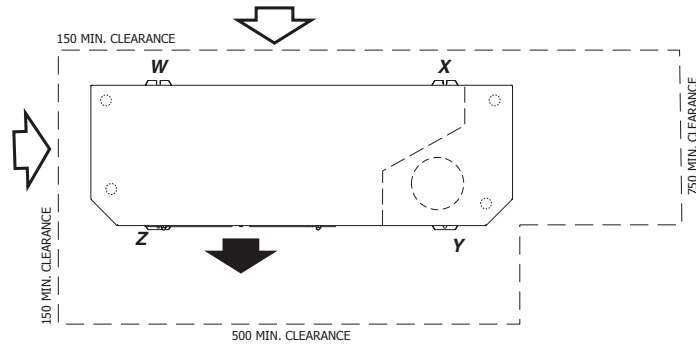


POINT LOADS (kg)			
W	X	Y	Z
26	23	25	15

Note: Fan motor can be accessed from panel above, below or sides; no more than two panels at once.

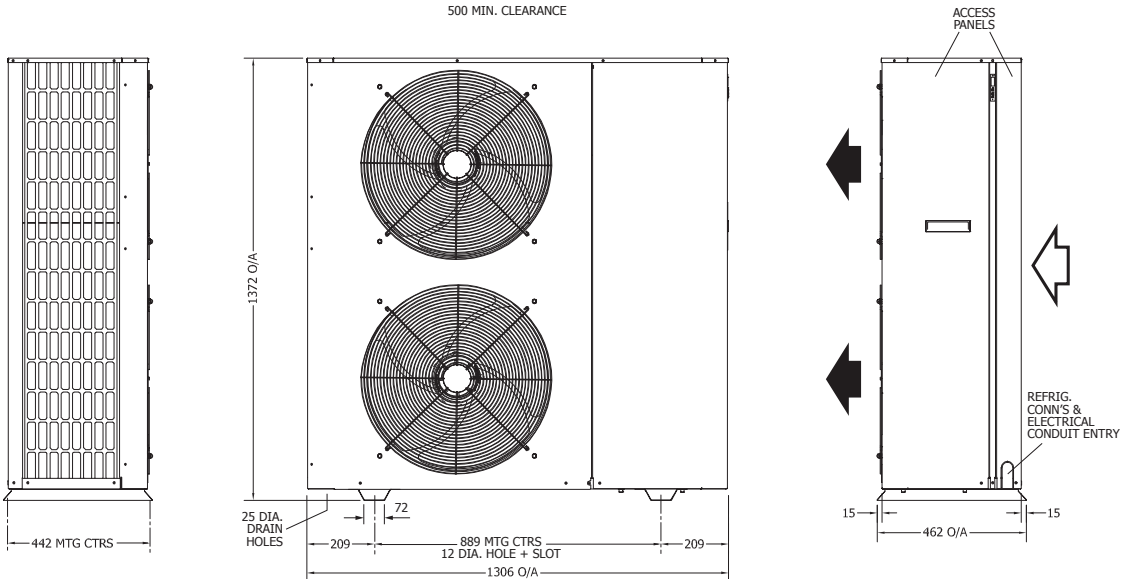


OSA 251RLTF Outdoor Unit



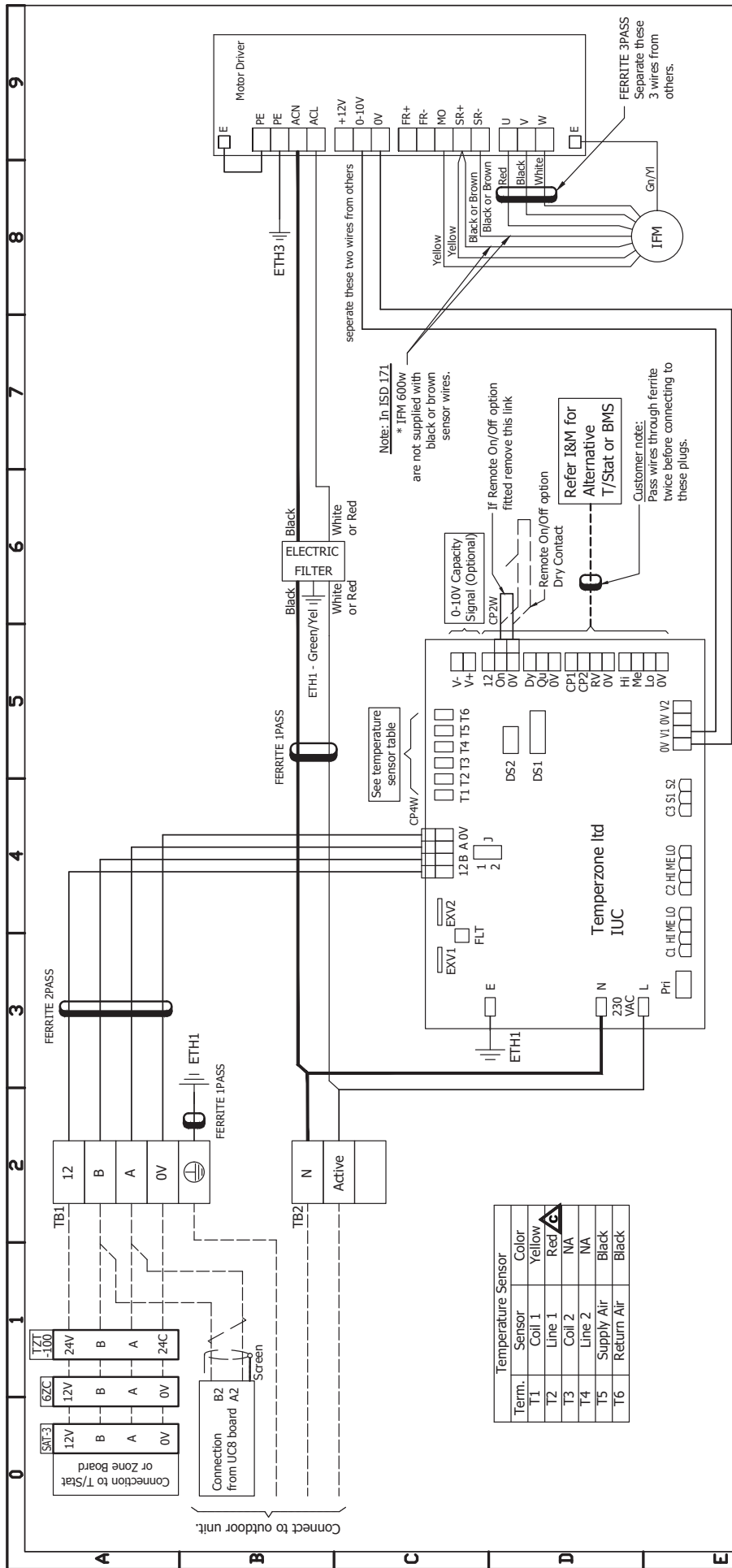
POINT LOADS (kg)			
W	X	Y	Z
10	69	25	57

Recommended Connecting Pipe Sizes
 Suction : 22 mm OD
 Liquid : 13 mm OD



NOTE

Specifications are subject to change without notice due to the manufacturer's ongoing research and development programme.



Term.	Sensor	Color
T1	Coil 1	Yellow
T2	Line 1	Red
T3	Coil 2	NA
T4	Line 2	NA
T5	Supply Air	Black
T6	Return Air	Black

Site commissioning DIP switch setting options

Step 1: Set Output Voltage for HIGH				Step 2: Set Voltage Range LOW-HIGH			
DIP 1	DIP 2	DIP 3	HIGH	DIP 4	DIP 5	RANGE	
Off	Off	Off	6.5	Off	Off	2	
On	Off	Off	7	On	Off	3	
Off	On	Off	7.5	Off	On	4.5	
On	On	Off	8	On	On	6	
Off	Off	On	8.5				
On	Off	On	9				
Off	On	On	9.5				
On	On	On	10				

IUC Board Jumper selection (J)

Position	Definition
1	Cable length >10m and IUC is at terminating of cable.
2	Cable length <10m and/or not at cable terminating end. (DEFAULT)

Factory Default DIP switch Selections for Models

UNIT	DS1 DIP switch selections				DS2 DIP switch selections			
	DIP 1	DIP 2	DIP 3	DIP 4	DIP 1	DIP 2	DIP 3	DIP 4
ISD171	On	Off	On	Off	Off	Off	Off	Off
ISD211	On	Off	On	Off	Off	Off	Off	Off
ISD251	On	Off	On	Off	Off	Off	Off	Off

Notes:

- To adjust indoor fan speed L/M/H settings see section 5.2.6 of Installation & Maintenance document
- Customer note: Pass wires through ferrite twice before connecting to these plugs.
- Refer I&M for Alternative T/Stat or BMS
- If Remote On/Off option fitted remove this link
- * IFM 600W are not supplied with black or brown sensor wires.
- Note: In ISD 171 * IFM 600W are not supplied with black or brown sensor wires.
- separate these two wires from others
- FERRITE 3PASS Separate these 3 wires from others.

Temperature Sensor

Term.	Sensor	Color
T1	Coil 1	Yellow
T2	Line 1	Red
T3	Coil 2	NA
T4	Line 2	NA
T5	Supply Air	Black
T6	Return Air	Black

DO NOT SCALE - ASK

REV	DESCRIPTION	ECN	DATE	APPROVED
A	Initial Release			
B	EMC compliance updates.	N4327	26-08-20	A.W.G.
C	Temp. Sensor T2 color Red was Blue	N4345	30-12-20	R.P.B.

©temperzone Ltd 2019

temperzone

Client Wiring

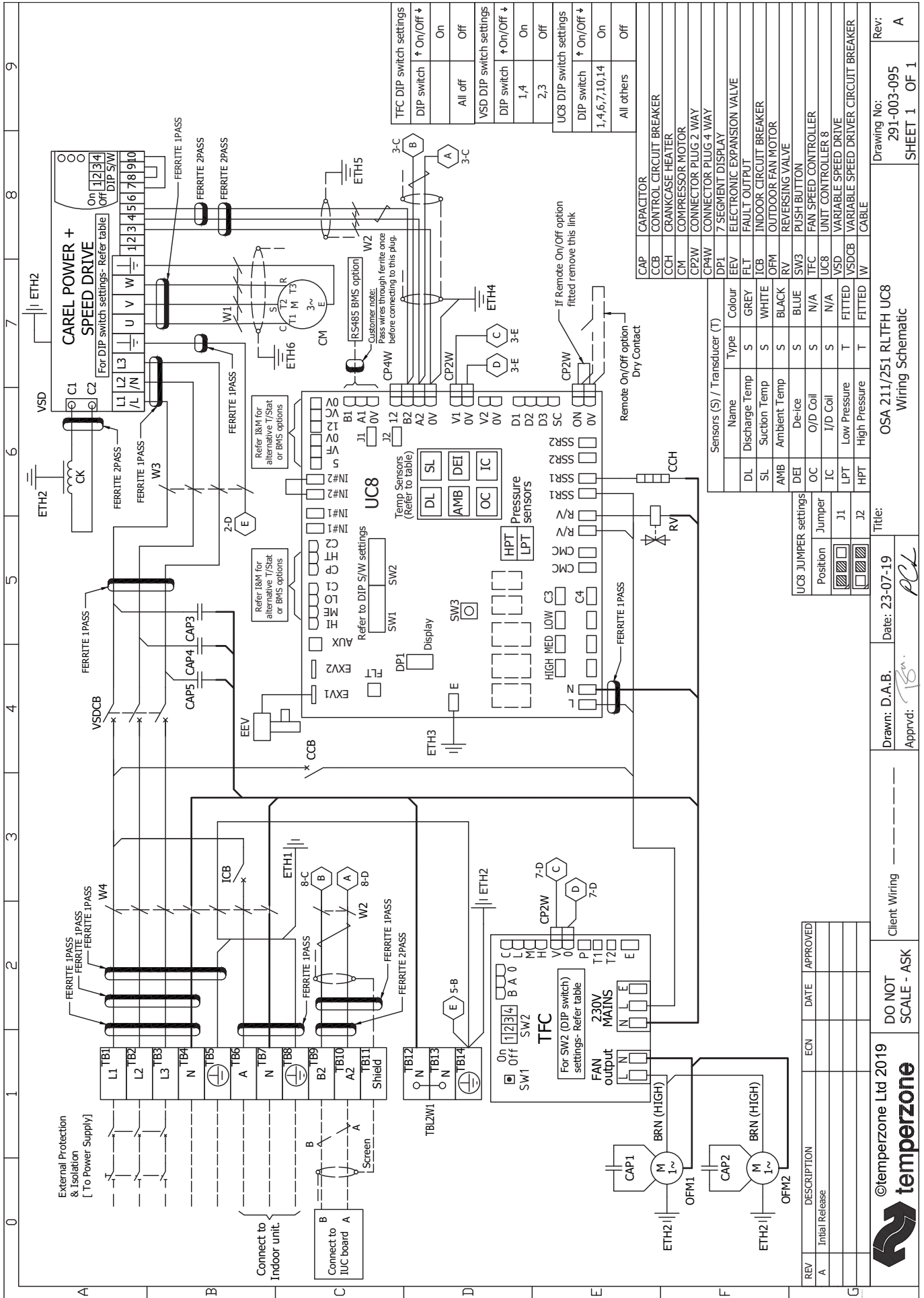
Drawn: D.A.B. Date: 24-07-19

Approved: *PJL*

ISD 171/211/251 LYX Wiring Schematic

Sheet 1 OF 1

Rev: C



Drawing No: 291-003-095
 SHEET 1 OF 1

Title: OSA 211/251 RLTFH UC8
 Wiring Schematic

Drawn: D.A.B. Date: 23-07-19
 Apprvd: *[Signature]*

Client Wiring

DO NOT SCALE - ASK

©temperzone Ltd 2019

