

Distributed by



Gassero

technology for your comfort



ECO-FRIENDLY

FLOOR TYPE CONDENSING BOILERS

www.gassero.com

Floor Type Boilers

● Green dots indicate single heat exchanger ● Blue dots indicate twin heat exchanger.

Alubox X-treme

Capacity (kW)	
50	
70	
90	
115	
125	
150	
208	
210	
250	●
255	
290	
300	●
315	
350	●
430	●
500	
530	
535	●
540	
640	●
660	
700LX	●
710	●
860	
880	●
1000	
1030	
1060	
1065	●
1315	●
1320	
1330	
1460	●
1550	●
1760	●
2060	
2200	
2630	●
2660	
2920	●
3100	●

Alubox

Capacity (kW)	
50	●
70	●
90	●
115	●
125	●
150	●
208	●
210	
250	
255	
290	●
300	
315	
350	
430	
500	
530	
535	
540	●
640	
660	
700	●
710	
860	
880	
1000	●
1030	
1060	
1065	
1315	
1320	
1330	
1460	
1550	
1760	
2060	
2200	●
2630	
2660	
2920	
3100	

Ultrabox

Capacity (kW)	
50	
70	
90	
115	
125	
150	
208	
210	●
250	
255	●
290	
300	
315	●
350	
430	●
500	●
530	●
535	
540	
640	
660	●
700	
710	
860	●
880	
1000	
1030	●
1060	●
1065	
1315	
1320	●
1330	●
1460	
1550	
1760	
2060	●
2200	
2630	
2660	●
2920	
3100	

Superbox

Capacity (kW)	
50	
70	
90	
115	
125	
150	●
208	
210	
250	
255	
290	
300	
315	
350	
430	
500	
530	●
535	
540	
640	
660	
700	
710	
860	
880	
1000	
1030	
1060	●
1065	
1315	
1320	
1330	
1460	
1550	
1760	
2060	
2200	
2630	
2660	
2920	
3100	

Floor Type Boilers

Alubox X-treme

- › 250-3100 kW capacity range
- › Aluminum heat exchanger
- › Low NOx value
- › Low flue gas temperatures
- › Turndown ratio up to 8:100
- › Efficiency up to %108,7 according to EN 15502-1+A1



Alubox

- › 50-2200 kW capacity range
- › Aluminum heat exchanger
- › Low NOx value
- › Low flue gas temperatures
- › Turndown ratio up to 14:100
- › Efficiency up to %108,2 according to EN 15502-1+A1



Ultrabox

- › 210-2660 kW capacity range
- › Stainless steel heat exchanger
- › Low NOx value
- › Low flue gas temperatures
- › Turndown ratio Up to 4:100
- › Efficiency up to %108,1 according to EN 15502-1+A1



Superbox

- › 150-1060 kW capacity range
- › Stainless steel heat exchanger
- › Low NOx
- › Low flue gas temperatures
- › Turndown ratio up to 3:100
- › Efficiency up to %109 according to EN 15502-1+A1



Alubox X-treme

Floor Type Condensing Boiler



- 250-3100 kW capacity range
- Low NOx value
- Low flue gas temperatures
- Aluminum heat exchanger
- Efficiency up to %108,7 according to EN 15502-1+A1
- Turndown ratio up to 8:100
- Cascade operation option up to 16 boilers
- Hermetic and semi-hermetic flue options
- Low noise level
- Energy class A
- 6 bar operation pressure



Alubox X-treme



- ▶ High corrosion and lime resistance
- ▶ Latest technology, low emission premix burner
- ▶ High modulating and energy-efficient fan

**Smaller volume,
Higher capacity.**

Safety Features:

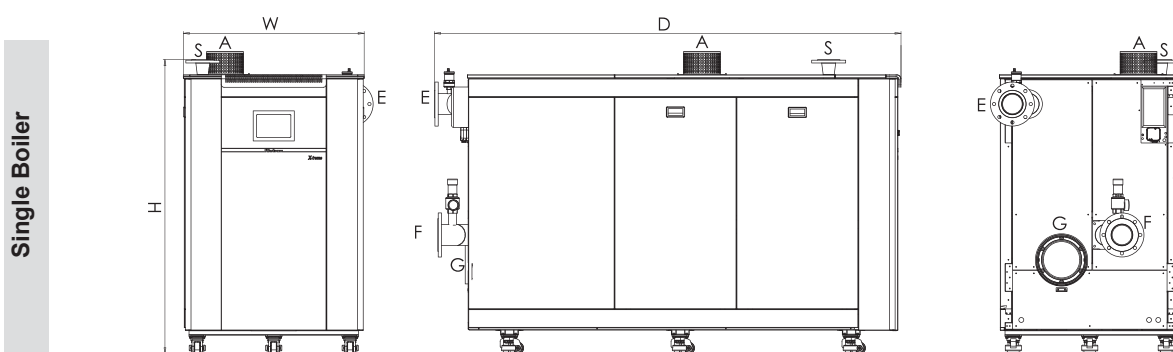
- Frost protection
- Overheat protection
- Low and high water pressure safety
- Flue gas temperature and water pressure safety
- Pump/valve protection
- Legionella protection for DHW tank
- Condensate blockage safety with siphon sensor
- Fan speed safety
- Surface temperature safety
- High pressure switch for gas line

Alubox X-treme

Floor Type Condensing Boiler

Technical Specifications

		Alubox X-treme						
		250	300	350	430	535	640	700
THERMAL SPECIFICATIONS								
	Unit							
Nominal heat input (min/max)	kW	48,0/242,0	48,0/285,0	65,0/335,0	85,0/425,0	102,0/510,0	75,0/615,0	118,4/672,4
Nominal heat output (80/60°C) (min/max)	kW	46,8/237,0	46,8/279,5	63,7/328,3	82,5/416,0	99,9/499,8	73,8/601,4	111,9/650,4
Nominal heat output (50/30°C) (min/max)	kW	51,4/254,0	51,4/302,0	70,2/351,7	91,6/445,9	107,1/540,6	81,0/641,4	127,6/702,0
Heating efficiency (80/60°C) (min/max)	%	96,0/98,1	96,1/98,2	96,3/98,0	96,8/97,9	97,1/98,2	97,0/97,9	96,4/97,0
Heating efficiency (50/30°C) (min/max)	%	108,1/105,3	107,6/106,2	107,1/106,2	108,0/105,0	107,6/106,1	107,5/106,4	108,1/104,8
Partial load efficiency (36/30°C)	%	107,6	107,5	107,5	107,6	107,4	107,6	108,8
Turndown ratio		20:100	17:100	20:100	20:100	20:100	13:100	18:100
HYDRAULIC SPECIFICATIONS								
Operation water pressure (min/max)	bar	0,8/6	0,8/6	0,8/6	0,8/6	0,8/6	0,8/6	0,8/6
Exchanger water volume	lt	23	23	36,22	43,65	51,08	58,81	81,7
Water flow rate (min/max)	m³/h	2,2/10,9	2,2/12,9	3,1/15,2	3,9/19,3	5,3/23,5	3,9/28,4	5,5/30,3
Pump head	mWC	5,9	6,6	5,4	6,0	6,2	6,2	5,9
Max. operation temp.	°C	90	90	90	90	90	90	90
Limit shut off temp.	°C	95	95	95	95	95	95	95
GAS AND COMBUSTION SPECIFICATIONS								
Gas type		G20	G20	G20	G20	G20	G20	G20
Gas supply pressure (G20/G31)	mbar	20	20	20	20	20	20	20
Flue gas pressure	Pa	60	60	60	71	78	195	220
Combustion products flow rate (min/max)	g/sn	22,0/110,0	22,0/127,0	31/154	40/201	47/238	39/271	54/308
CO2 emission (min/max)	%	8,92/8,9	8,9/9,0	9,1/9,2	9,2/9,2	8,7/8,9	8,8/9,1	8,9/9,1
Flue gas temp. (80/60°C) (min/max)	°C	56,1/69,2	55,8/71,8	57,8/68,7	59/69	57,7/69,5	58,1/67,9	60,2/73,5
Flue gas temp. (50/30°C) (min/max)	°C	31,4/45,6	31,4/47,9	30,7/45,4	31,2/46,1	29,7/47,6	31/44,9	31,6/48,3
NOx class		6	6	6	6	6	6	6
NOx value	mg/kWh	35,0	41,0	34,0	39,0	21,0	16,0	25,0
Gas consumption (min/max)	m³/h	4,9/25,5	4,8/30,0	6,9/35,2	8,8/44,6	10,8/53,5	8,5/64,5	12,1/69,8
CONNECTION SPECIFICATIONS								
Boiler water inlet (F) / outlet diameter (E)	DN	50/50	50/50	100/100	100/100	100/100	100/100	100/100
Fresh air (A) / flue gas diameter (G) (B23)	mm	100/200	100/200	125/250	200/250	200/250	200/250	200/250
Gas supply diameter (S)	DN	32	32	50	65	65	65	65
ELECTRICAL SPECIFICATIONS								
Power supply	V/Hz	230/50	230/50	230/50	230/50	230/50	230/50	230/50
Electrical consumption	W	260	310	260	450	670	900	942
GENERAL SPECIFICATIONS								
Energy efficiency class		A	A	A	A	A	A	A
Noise power level	dB(A)	63,7	65,2	67,6	64,2	68,4	70,1	72,3
Dimensions (W/D/H)	mm	690x1460x1360	690x1460x1360	835x1220x1600	935x1420x1600	935x1705x1600	935x1705x1600	935x1745x1600
Boiler weight	kg	280	280	305	381	425	452	525



Single Boiler

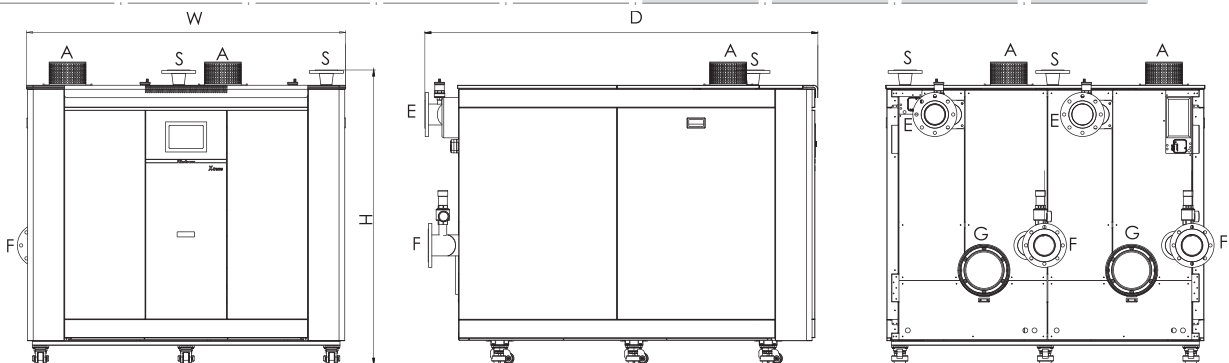
Alubox X-treme

*Twin boilers are indicated in grey zone.

Alubox X-treme

710	880	1065	1315	1460	1550	*1760	*2630	*2920	*3100
134,6/685,6	132,9/849,4	159,5/1025	220,0/1261,0	250,0/1400,0	250,0/1490,0	132,9/1698	220/2522	250/2800	250/2980
129,6/669,2	124/824,5	152,9/999,9	212,0/1220,0	243,0/1360,0	243,0/1454,0	124/1649	212/2440	243/2720	243/2908
145,9/711,3	142,3/885,1	171,9/1065,5	235,0/1315,0	268,0/1460,0	268,0/1555,0	142,3/1770	235/2630	268/2920	268/3110
95,7/97,8	96,8/97,7	96,9/97,7	96,5/97,3	97,1/97,4	97,1/97,3	96,8/97,7	96,5/97,3	97,1/97,4	97,1/97,3
108,7/104,1	107,5/104,6	108,2/104,9	107,2/104,7	107,4/104,6	107,4/104,4	107,5/104,6	107,2/104,7	107,4/104,6	107,4/104,4
108,5	108,7	108,4	108,0	108,1	108,04	108,7	108	108,1	108
20:100	16:100	16:100	18:100	18:100	17:100	8:100	9:100	9:100	9:100
0,8/6	0,8/6	0,8/6	0,8/6	0,8/6	0,8/6	0,8/6	0,8/6	0,8/6	0,8/6
68,7	99,7	117,7	135,8	153,8	153,8	2x99,7	2x135,8	2x153,8	2x153,8
6,7/30,4	6,2/38,1	7,3/45,9	9,2/55,5	10,3/61,1	10,3/63,5	6,2/38,1	9,2/51,1	10,3/61,1	10,3/63,5
7,2	6,0	6,3	6,9	7,1	7,0	5,9	6,8	7,1	7,0
90	90	90	90	90	90	90	90	90	90
95	95	95	95	95	95	95	95	95	95
G20	G20	G20	G20	G20	G20	G20	G20	G20	G20
20	20	20	20	20	20	20	20	20	20
220	179	252	265	221	255	179x2	265x2	221x2	255x2
63/314	60/389	73/467	104/556	112/622	112/668	60/389	104/556	112/622	112/668
9,0/9,1	9,1/9,0	8,92/9,1	8,6/9,4	8,9/8,9	9,07/9,11	9,05/9	8,6/9,4	8,9/8,9	9,1/9,1
60,0/70,0	59,4/69,5	59,6/68,7	59,6/68,7	59,8/67,3	59,8/67,5	59,4/69,5	59,6/68,7	59,8/67,3	59,8/67,5
31,3/43,0	30,3/46,3	31,2/45,0	46,7/31,1	30,8/42,0	30,8/43,1	30,3/46,3	46,7/31,1	30,8/42,0	30,8/43,1
6	6	6	6	6	6	6	6	6	6
23,0	32,0	32	40	31	37	32	40	31	37
14,0/71,8	13,4/87,9	16,4/106,6	22,7/129,6	25,5/139,0	25,5/149,4	2x13,4/87,9	2x22,7/129,6	2x25,5/139,0	25,5/149,4
100/100	125/125	125/125	125/125	125/125	125/125	125/125	125/125	125/125	125/125
200/250	200/250	200/250	200/250	200/250	200/250	200/250	200/250	200/250	200/250
65	65	65	65	65	65	65	65	65	65
230/50	400/50	400/50	400/50	400/50	400/50	400/50	400/50	400/50	400/50
880	1466	2213	3162	3726	4306	2932	6324	7452	8612
A	A	A	A	A	A	A	A	A	A
71,9	73,7	75,5	77,2	76,4	75,3	78,6	77,2	76,4	75,3
935x1705x1600	935x2140x1600	935x2140x1600	985x2730x1600	985x2730x1600	985x2730x1600	1738x2140x1600	1872x2680x1600	1872x2680x1600	1872x2680x1600
510	625	685	811	925	925	1120	1630	1700	1700

Twin Boiler





Alubox

Floor Type Condensing Boiler



- ▶ 50-2200 kW capacity range
- ▶ Low NOx Value
- ▶ Low flue gas temperatures
- ▶ Aluminum heat exchanger
- ▶ Efficiency up to %108,2 according to EN 15502-1+A1
- ▶ Turndown ratio up to 14:100
- ▶ Cascade operation option up to 16 boilers's
- ▶ Semi-hermetic flue options
- ▶ Low noise level
- ▶ Energy class A
- ▶ 6 bar working pressure





- ▶ High corrosion and lime resistance
- ▶ Latest technology, low emission premix burner
- ▶ High modulating and energy-efficient fan

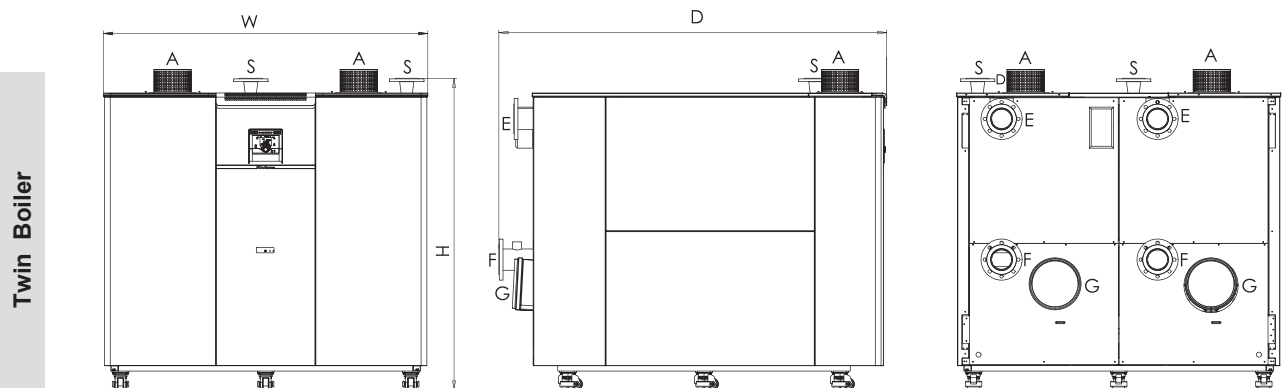
Safety Features:

- Frost protection
- Overheat protection
- Low and high water pressure safety
- Flue gas temperature and pressure safety
- Pump/valve protection
- Legionella protection
- Condensate blockage safety with siphon sensor
- Fan speed safety
- Surface temperature safety
- High pressure switch for gas line

**With low emission values,
ECO friendly GASSERO.**

Technical Specifications

		Alubox						
		50	70	90	115	125	150	208
THERMAL SPECIFICATIONS								
	Unit							
Nominal heat input (min/max)	kW	7,6/49,2	10,2/65,6	14,9/88,3	14,9/112,3	19,9/123,5	19,9/143,1	35,3/200,0
Nominal heat output (80/60°C) (min/max)	kW	7,3/47,8	9,9/63,4	14,3/86,3	14,3/109,5	19,2/120,8	19,2/139,8	34,5/195,2
Nominal heat output (50/30°C) (min/max)	kW	8,4/51,4	11,6/68,5	15,1/91	15,1/118,1	22,3/128	22,3/149,1	36,68/207,9
Heating efficiency (80/60°C) (min/max)	%	96,9/97,7	96,7/97,2	96,8/98,4	96,79/98,16	97,0/98,3	97,0/98,2	97,7/97,6
Heating efficiency (50/30°C) (min/max)	%	108,1/105,9	108,0/103,9	108,2/105,0	108,19/104,79	108,1/104,4	108,1/103,2	103,2/104
Partial load efficiency (36/30°C)	%	108,56	108,4	108,5	108,65	108,5	108,4	107,4
Turndown ratio		16:100	16:100	17:100	14:100	17:100	14:100	18:100
HYDRAULIC SPECIFICATIONS								
Operation water pressure (min/max)	bar	0,8/6	0,8/6	0,8/6	0,8/6	0,8/6	0,8/6	0,8/6
Exchanger water volume	lt	3,2	3,2	4,6	4,6	6	6	29,1
Water flow rate (min/max)	m³/h	0,4/2,2	0,5/3,0	0,7/3,8	0,65/4,79	1,0/5,4	1,0/6,2	1,6/8,8
Pump head	mWC	3,0	3,0	5,0	5,0	5,5	5,5	5,3
Max. operation temp.	°C	85	85	85	85	85	85	90
Limit shut off temp.	°C	95	95	95	95	95	95	105
GAS AND COMBUSTION SPECIFICATIONS								
Gas type		G20	G20	G20	G20	G20	G20	G20
Gas supply pressure (G20/G31)	mbar	20	20	20	20	20	20	20
Flue gas pressure	Pa	100	130	170	200	220	330	160
Combustion products flow rate (min/max)	g/sn	0,8/5,1	1,1/6,8	1,5/9,1	1,5/11,7	2,1/12,8	2,1/14,9	16,5/89,3
CO2 emission (min/max)	%	9,3/9,4	9,1/9,6	9,4/9,3	9,4/9,4	9,5/9,5	9,5/9,6	8,8/9,3
Flue gas temp. (80/60°C) (min/max)	°C	54,7/65,6	55,4/72,1	56,8/61,4	56,8/64,9	56,9/61,8	56,9/70,3	53,2/63,4
Flue gas temp. (50/30°C) (min/max)	°C	29,5/45,1	30,1/52,3	30,2/448,8	30,2/53,5	30,5/44,9	30,5/47,1	29/52,7
NOx class		6	6	6	6	6	6	6
NOx value	mg/kWh	37	28	39	43	46	44	33,9
Gas consumption (min/max)	m³/h	0,8/5,1	1,1/6,9	1,5/9,1	1,5/11,8	2,2/12,8	2,2/15,1	3,7/21,2
CONNECTION SPECIFICATIONS								
Boiler water inlet (F) / outlet diameter (E)	DN	25/25	25/25	25/25	25/25	25/25	25/25	50/50
Fresh air (A) / flue gas diameter (G) (B23)	mm	80/100	80/100	110/100	110/100	110/100	110/100	100/200
Gas supply diameter (S)	DN	25	25	25	25	25	25	32
ELECTRICAL SPECIFICATIONS								
Power supply	V/Hz	230/50	230/50	230/50	230/50	230/50	230/50	230/50
Electrical consumption	W	52	97	116	203	212	313	450
GENERAL SPECIFICATIONS								
Energy efficiency class		A	A	A	A	A	A	A
Noise power level	dB(A)	57,2	66,2	58,8	61,3	66,4	69,3	62,1
Dimensions (W/D/H)	mm	640x575x1095	640x575x1095	640x575x1095	640x575x1095	640x575x1095	640x575x1095	645x1420x1420
Boiler weight	kg	85	85	85	93	103	103	262

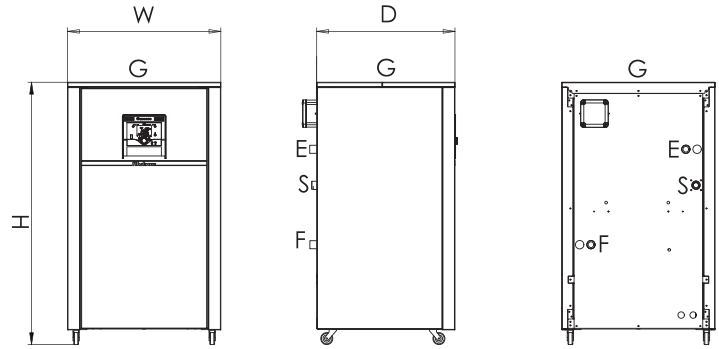


Alubox

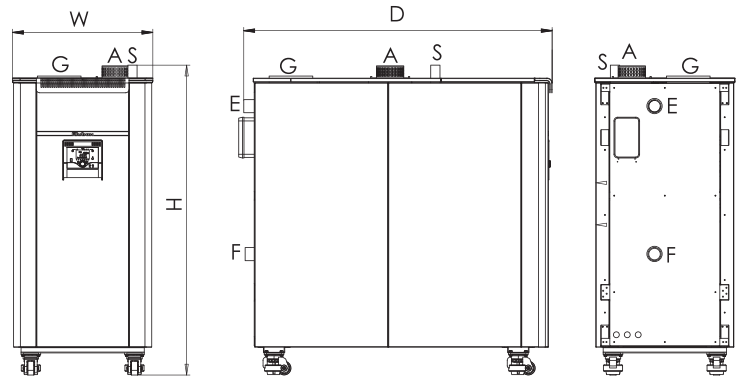
*Twin boilers are indicated in grey zone.

Alubox				
290	540	700	1100	*2200
48/280,0	81,9/517,0	101,4/661,0	150,5/1026,8	301,0/2059,2
46,7/274,1	79,1/502,9	97,8/643,1	146/999,1	292/2003,6
51,4/286,2	84,7/539,2	107,8/708,4	160,7/999,1	321,4/2215,2
97,3/97,9	96,6/97,3	96,5/97,3	97,0/97,3	97,0/97,3
107,5/103,8	105,0/104,0	107/107,4	107,1/107	107,1/107
107,3	106,7	108,6	108	108
18:100	16:100	16:100	15:100	15:100
0,8/6	0,8/6	0,8/6	0,8/6	0,8/6
40,6	75,5	99,2	155,1	2x155,1
2,3/12,2	3,4/23,6	4,7/31,0	7,0/42,3	7,0/93,8
6,5	5,2	5,2	5,4	5,4x2
90	90	90	90	90
105	95	95	95	95
G20	G20	G20	G20	G20
20	20	20	20	20
160	150	150	150	2x150
22,5/119,6	38,0/235,1	47,0/292,4	69,1/459,6	69,1/459,6
8,8/9,8	8,9/9,1	8,9/9,4	9,0/9,3	9,0/9,3
54,2/64,6	55,5/63,6	61,4/65,8	61,9/64,6	61,9/64,6
29/47,4	30,3/40,1	34,2/34,5	29,4/33,8	29,4/33,8
6	6	6	6	6
62,6	38,0	53,0	48,0	48,0
5,18/29,6	8,5/54,0	10,5/68,6	15,8/97,0	15,8/217,9
50/50	80/80	80/80	100/100	100/100
100/200	125/250	125/250	200/250	200/250
32	65	65	65	65
230/50	230/50	230/50	230/50	230/50
510	1400	1620	2650	5300
A	A	A	A	A
64,3	66,5	71,2	74,9	74,9
645x1420x1420	838x1731x1680	838x1731x1680	898x2079x1670	1738x2079x1670
295	450	510	680	1378

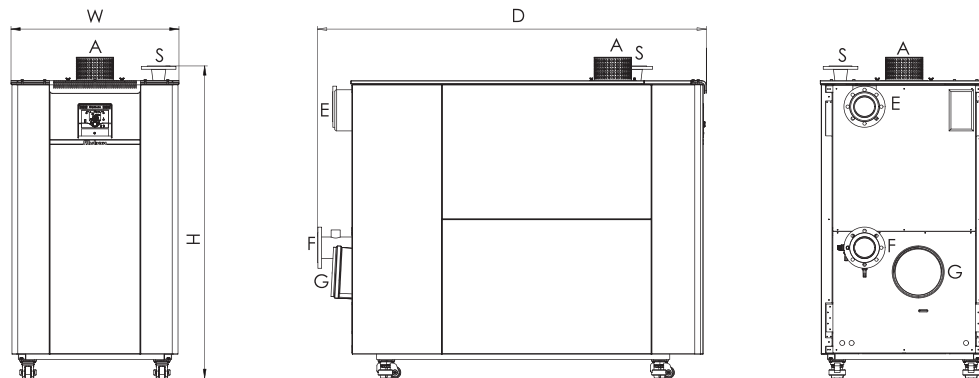
Alubox 70-115-150



Alubox 208-290



Alubox 540-700-1100





Ultrabox

Floor Type Condensing Boiler



- ▶ 210-2660 kW capacity range
- ▶ Low CO emissions
- ▶ Low flue gas temperatures
- ▶ Stainless steel heat exchanger
- ▶ Efficiency up to %108,1 according to EN 15502-1+A1
- ▶ Turndown ratio up to 4:100
- ▶ Cascade operation option up to 16 boilers'
- ▶ Low NOx value
- ▶ Hermetic and semi-hermetic flue options
- ▶ Low noise level
- ▶ Energy class A
- ▶ 6 bar operation pressure



▶▶ Ultrabox



- ▶ High efficient and durable heat exchanger
- ▶ Latest technology, low emission premix burner
- ▶ High modulating and energy-efficient fan

Safety Features:

- Frost protection
- Overheat protection
- Low and high water pressure safety
- Flue gas temperature and pressure safety system
- Pump/valve protection
- Legionella protection
- Condensate blockage safety with siphon sensor
- Fan speed safety
- Surface temperature safety
- High pressure switch for gas line

**Advanced condensation technology,
Low fuel consumption.**

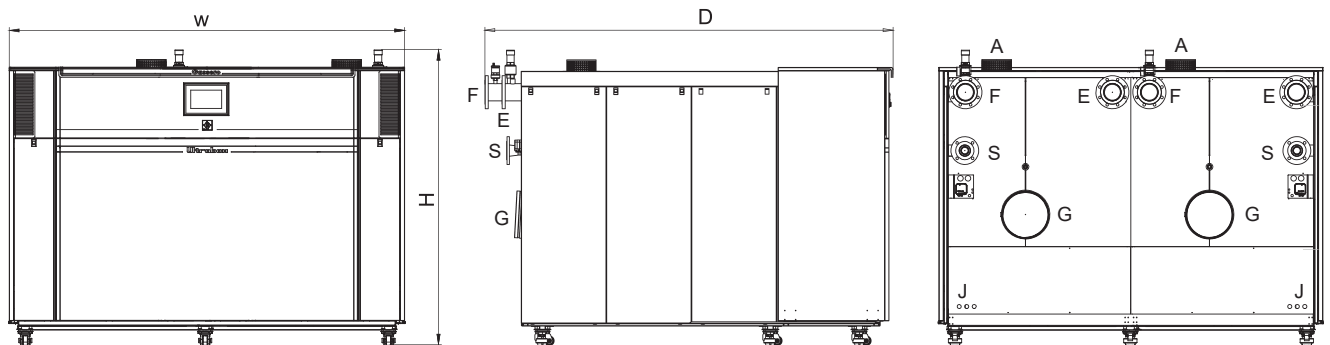
Ultrabox

Floor Type Condensing Boiler

Technical Specifications

		Ultrabox						
		210	255	315	430	500	530	660
THERMAL SPECIFICATIONS								
	Unit							
Nominal heat input (min/max)	kW	30,3/198,3	35,0/237,7	35,1/295,3	41,8/405,5	60,0/470,0	60,0/500,0	60,0/620,0
Nominal heat output (80/60°C) (min/max)	kW	29,5/194,2	34,1/232,5	34,2/289,5	40,6/393,7	58,4/456,4	58,4/486,4	58,4/602,6
Nominal heat output (50/30°C) (min/max)	kW	32,6/212,1	37,7/256,5	37,7/317,8	45,0/430,3	64,8/503,4	64,8/536,0	63,4/665,0
Heating efficiency (80/60°C) (min/max)	%	97,5/97,9	97,5/97,8	97,5/98,0	97,3/97,1	97,4/97,1	97,4/97,3	97,4/97,2
Heating efficiency (50/30°C) (min/max)	%	107,2/107,0	107,3/107,0	107,5/107,0	107,9/106,1	108,1/107,1	108,1/107,2	108,1/107,4
Partial load efficiency (36/30°C)	%	108,4	108,4	108,4	108,3	108,0	108,5	108,5
Turndown ratio		16:100	15:100	12:100	11:100	13:100	12:100	10:100
HYDRAULIC SPECIFICATIONS								
Operation water pressure (min/max)	bar	0,8/6	0,8/6	0,8/6	0,8/6	0,8/6	0,8/6	0,8/6
Exchanger water volume	lt	29,4	29,4	29,4	58,8	71,4	71,4	71,4
Water flow rate (min/max)	m³/h	1,4/9,2	1,7/11,2	1,6/13,8	1,83/18,3	2,7/21,7	2,7/22,8	2,3/28,9
Pump head	mWC	6,4	6,7	6,7	6,4	6,7	6,7	6,7
Max. operation temp.	°C	90	90	90	90	90	90	90
Limit shut off temp.	°C	95	95	95	95	95	95	95
GAS AND COMBUSTION SPECIFICATIONS								
Gas type		G20	G20	G20	G20	G20	G20	G20
Gas supply pressure (G20/G31)	mbar	20	20	20	20	20	20	20
Flue gas pressure	Pa	160	160	160	160	160	160	160
Combustion products flow rate (min/max)	g/sn	13/88	15/107	15/129	13/176	15/214	15/236	15/258
CO2 emission (min/max)	%	9,6/9,4	9,4/9,2	9,7/9,4	9,6/9,4	9,4/9,2	9,6/9,3	9,7/9,4
Flue gas temp. (80/60°C) (min/max)	°C	60,3/62,1	60,3/64,8	63,4/74,3	60,3/62,1	60,3/64,8	61,5/67,3	61,5/73,1
Flue gas temp. (50/30°C) (min/max)	°C	32,1/36,1	32,1/35,5	38,5/46,6	32,1/36,1	32,1/35,5	33,0/41,5	32,9/47,7
NOx class		6	6	6	6	6	6	6
NOx value	mg/kWh	35	37	39	35	39	39	39
Gas consumption (min/max)	m³/h	3,1/20,5	3,6/24,8	3,6/30,7	4,1/38,2	5,5/45,0	5,54/47,7	5,54/59,1
CONNECTION SPECIFICATIONS								
Boiler water inlet (F) / outlet diameter (E)	DN	65/65	65/65	65/65	65/65	65/65	65/65	65/65
Fresh air (A) / flue gas diameter (G) (B23)	mm	100/170	100/170	100/170	200/200	200/200	200/200	200/200
Gas supply diameter (S)	DN	32	32	65	65	65	65	65
ELECTRICAL SPECIFICATIONS								
Power supply	V/Hz	230/50	230/50	230/50	230/50	230/50	230/50	230/50
Electrical consumption	W	360	410	470	720	830	880	940
GENERAL SPECIFICATIONS								
Energy efficiency class		A	A	A	A	A	A	A
Noise power level	dB(A)	72,6	74,1	75,7	76,1	77,4	77,4	78,0
Dimensions (W/D/H)	mm	691x995x1750	691x995x1750	691x995x1750	960x1520x1072	960x1846x1072	960x1846x1072	960x1846x1072
Boiler weight	kg	260	260	270	451	451	461	471

Twin Boiler



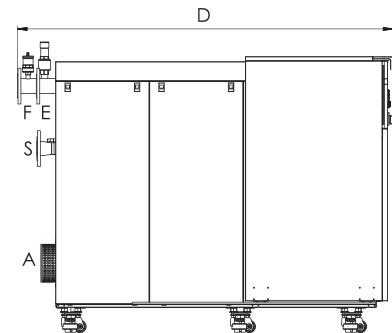
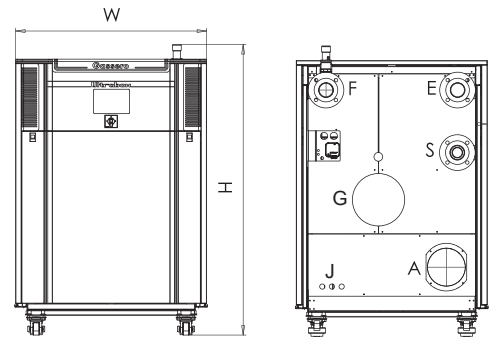
Ultrabox

*Twin boilers are indicated in grey zone.

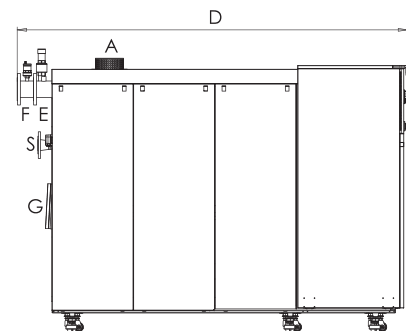
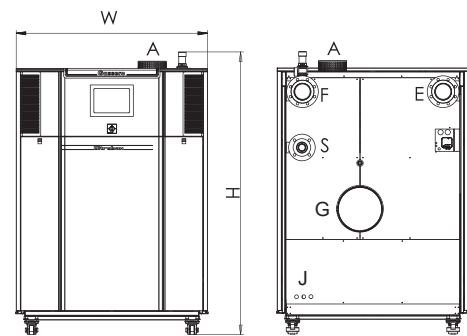
Ultrabox

*860	1030	*1060	*1320	1330	*2060	*2660
41,8/811,0	95,0/956,0	60,0/1000,0	60,0/1240	95,0/1235,0	95,0/1912,0	95,0/2470,0
40,6/787,4	92,2/932,2	58,4/972,8	58,4/1205,2	92,2/1205,6	92,2/1864,4	92,2/2411,2
45,0/860,6	102,0/1030,3	64,8/1072,0	63,4/1330,0	102,0/1335,0	102,0/2060,6	102,0/2670,0
97,3/97,1	97,1/97,5	97,4/97,3	97,4/97,2	97,1/97,6	97,1/97,5	97,1/97,6
107,9/106,1	108,0/107,8	108,1/107,2	108,1/107,4	107,3/108,1	108,0/107,8	107,3/108,1
108,3	108,1	108,5	108,5	108,3	108,1	108,3
11:100	10:100	6:100	5:100	8:100	5:100	4:100
0,8/6	0,8/6	0,8/6	0,8/6	0,8/6	0,8/6	0,8/6
2x58,8	140,0	2x71,4	2x71,4	140,0	2x140,0	2x140,0
1,83/18,3	4,4/44,1	2,7/22,8	2,3/28,9	4,4/56,1	4,4/44,1	4,4/56,1
6,4	6,7	6,7	6,7	6,7	6,7	6,7
90	90	90	90	90	90	90
95	95	95	95	95	95	95
G20	G20	G20	G20	G20	G20	G20
20	20	20	20	20	20	20
160	100	160	160	265	100	265
13/176	87/440	15/236	15/258	104/556	87/440	104/556
9,6/9,4	9,1/9,4	9,6/9,3	9,7/9,4	9,1/9,4	9,1/9,4	9,1/9,4
60,3/62,1	65,1/63,8	61,5/67,3	61,5/73,1	65,1/66,1	65,1/63,8	65,1/66,1
32,1/36,1	37,4/35,4	33,0/41,5	32,9/47,7	37,4/36,3	37,4/35,4	37,4/36,3
6	6	6	6	6	6	6
35	41	39	39	40	41	40
4,1/76,4	8,8/87,0	5,54/47,7	5,54/118,2	8,9/116,9	8,8/174	8,9/233,8
65/65	100/100	65/65	65/65	100/100	100/100	100/100
200/200	200/300	200/200	200/200	200/300	200/300	200/300
65	65	65	65	65	65	65
230/50	400/50	230/50	230/50	400/50	400/50	400/50
1440	2400	880	1880	3200	4800	6400
A	A	A	A	A	A	A
76,1	82,4	77,4	78,0	84,3	82,4	84,3
1975x1625x1502	1184x2080x1385	1835x1846x1270	1835x1846x1270	1184x2490x1385	2340x2220x1635	2235x2492x1588
942	897	962	982	925	1834	1890

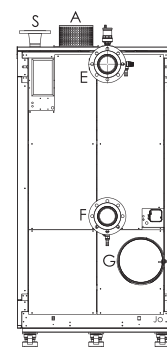
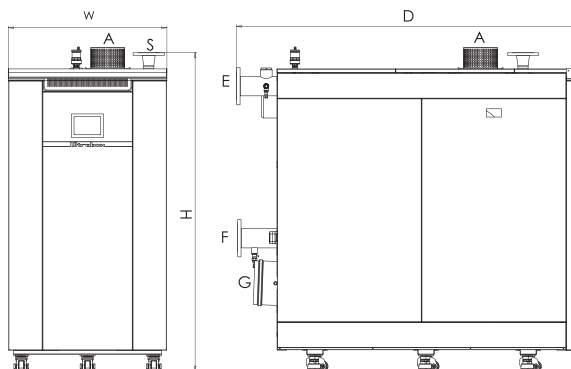
Ultrabox 530-660



Ultrabox 1030-1330



Ultrabox 1000-1125



Superbox

Floor Type Condensing Boiler



- 150-1060 kW capacity range
- Low NOx value
- Low flue gas temperatures
- Stainless steel heat exchanger
- Up to %109 efficiency according to EN 15502-1+A1
- Up to 3:100 turndown ratio
- Cascade operation option up to 16 boilers
- Hermetic and semi-hermetic flue options
- Low noise level
- Energy class A
- 6 bar operation pressure

- High efficient and durable heat exchanger
- Latest technology, low emission premix burner
- High modulating and energy-efficient fan

Safety Features:

- Frost protection
- Overheat protection
- Low and high water pressure safety
- Flue gas temperature and pressure safety system
- Pump/valve protection
- Legionella protection
- Condensate blockage safety with siphon sensor
- Fan speed safety
- Surface temperature safety
- High pressure switch for gas line



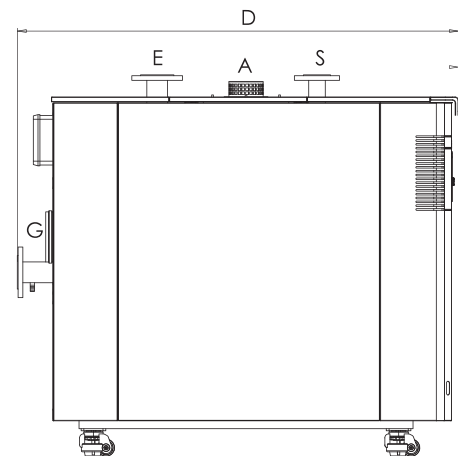
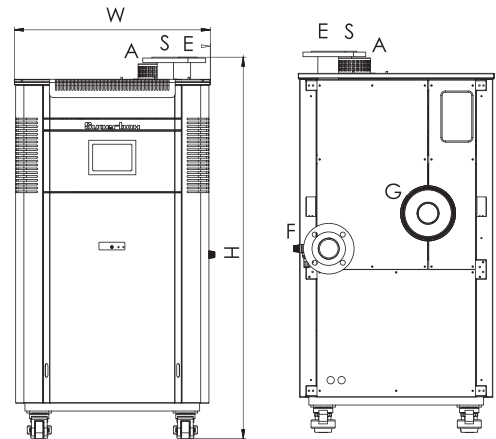
Superbox

* Twin boilers are indicated in grey zone.

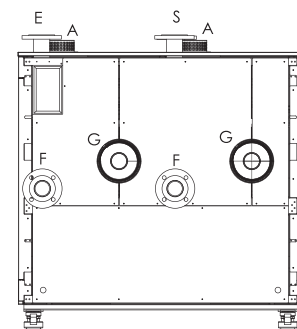
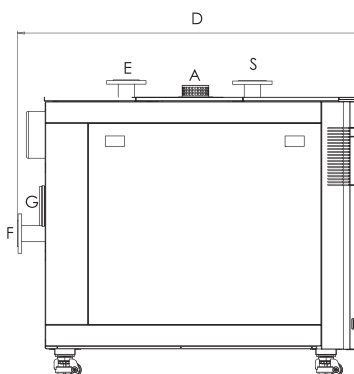
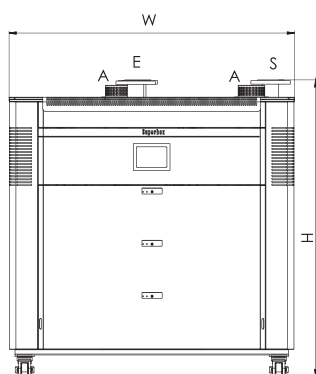
Technical Specifications

		Superbox		
		150	500	*1000
THERMAL SPECIFICATIONS		Unit		
Nominal heat input (min/max)	kW	21,5/152	27,2/498,5	27,2/996,9
Nominal heat output (80/60°C) (min/max)	kW	20,9/146	26,3/481,7	26,3/962,1
Nominal heat output (50/30°C) (min/max)	kW	23,4/158,8	29,1/527,4	29,1/1051,9
Heating efficiency (80/60°C) (min/max)	%	97,2/96,1	96,5/96,6	96,5/96,5
Heating efficiency (50/30°C) (min/max)	%	109/104,5	106,5/105,5	106,6/105,3
Partial load efficiency (36/30°C)	%	109,1	107,0	106,9
Turndown ratio		15:100	6:100	3:100
HYDRAULIC SPECIFICATIONS				
Operation water pressure (min/max)	bar	0,8/6	0,8/6	0,8/6
Exchanger water volume	lt	11,4	69,8	139,6
Water flow rate (min/max)	m³/h	1,0/6,7	1,2/21,4	1,2/42,8
Pump head	mWC	8,6	7,2	7,2
Max. operation temp.	°C	90	90	90
Limit shut off temp.	°C	105	105	105
GAS AND COMBUSTION SPECIFICATIONS				
Gas type		G20	G20	G20
Gas supply pressure (G20/G31)	mbar	20	20	20
Flue gas pressure	Pa	310	100	100
Combustion products flow rate (min/max)	g/sn	9,7/67,3	12,6/226,7	12,6/449,1
CO2 emission (min/max)	%	9,4/9,8	9/9,2	9/9,2
Flue gas temp. (80/60°C) (min/max)	°C	59,4/82,5	59,8/80,3	59,7/80,5
Flue gas temp. (50/30°C) (min/max)	°C	32,4/62,6	30,6/43,2	30,6/43,9
NOx class		6	6	6
NOx value	mg/kWh	41	50	59
Gas consumption (min/max)	m³/h	2,3/15,6	2,8/51,8	2,8/103,6
CONNECTION SPECIFICATIONS				
Boiler water inlet (F) / outlet diameter (E)	DN	32/32	65/65	65/65
Fresh air (A) / flue gas diameter (G) (B23)	mm	110/100	100/180	100/180
Gas supply diameter (S)	DN	25	50	65
ELECTRICAL SPECIFICATIONS				
Power supply	V/Hz	230/50	230/50	400/50
Electrical consumption	W	460	900	1440
GENERAL SPECIFICATIONS				
Energy efficiency class		A	A	A
Noise power level	dB(A)	61,7	68,3	72,1
Dimensions (W/D/H)	mm	555x780x990	715x1610x1394	1340x1620x1390
Boiler weight	kg	110	522	640

Single Boiler



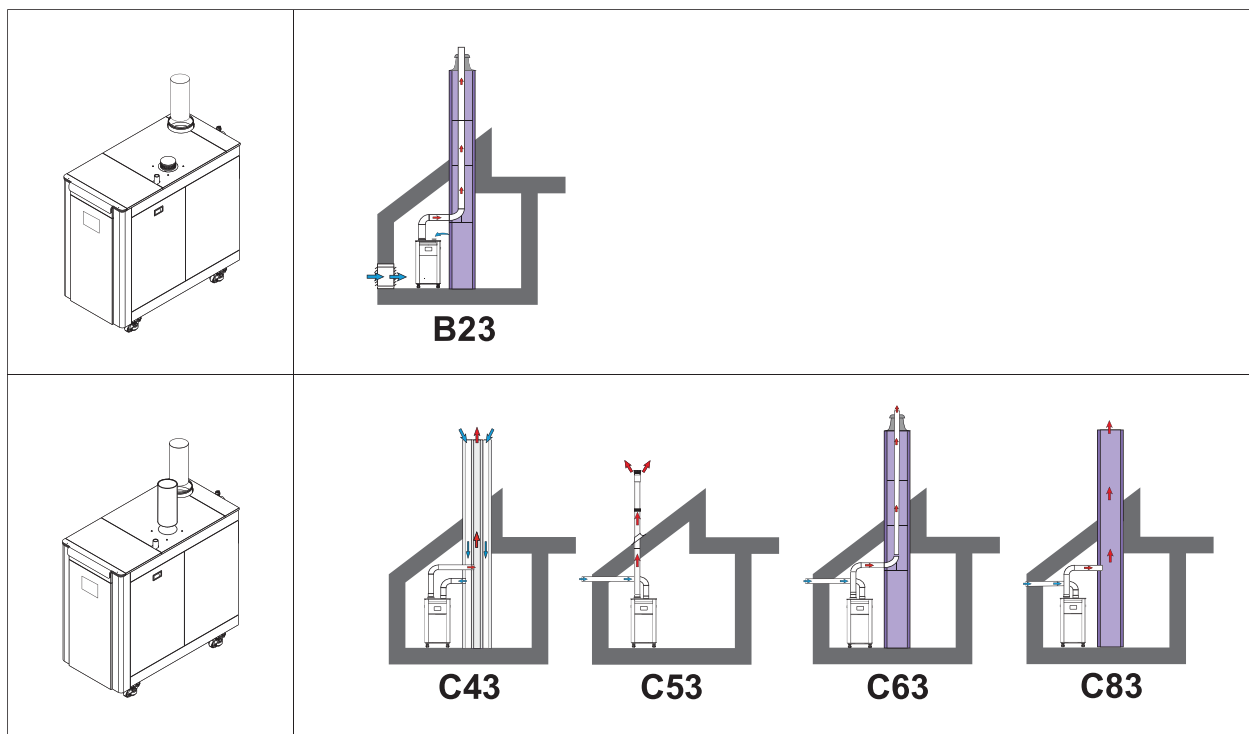
Twin Boiler



Optional Accessories

Product Image	Product Name	Specifications
	Outside Sensor	Operates between -50 °C and 70 °C. Max. distance 120 m with 1.5 mm ² cable. Tolerance ±1 K
	Clamp Type Temperature Sensor	Operates between -30 °C and 125 °C. Max. distance 120 m with 1.5 mm ² cable. Tolerance ±0,5 K
	Immersion Type Temperature Sensor	Operates between 0 °C and 95 °C. Tolerance ±0,5 K.
	External Zone Module	Provides 3-way valve control function on temperature based zones. Requires additional relay and sensor connections.
	Room Thermostat	Provides room comfort temperature adjustment and working mode selection.
	Modbus Module	Provides Building Management Systems (BMS) connection.

Flue Applications



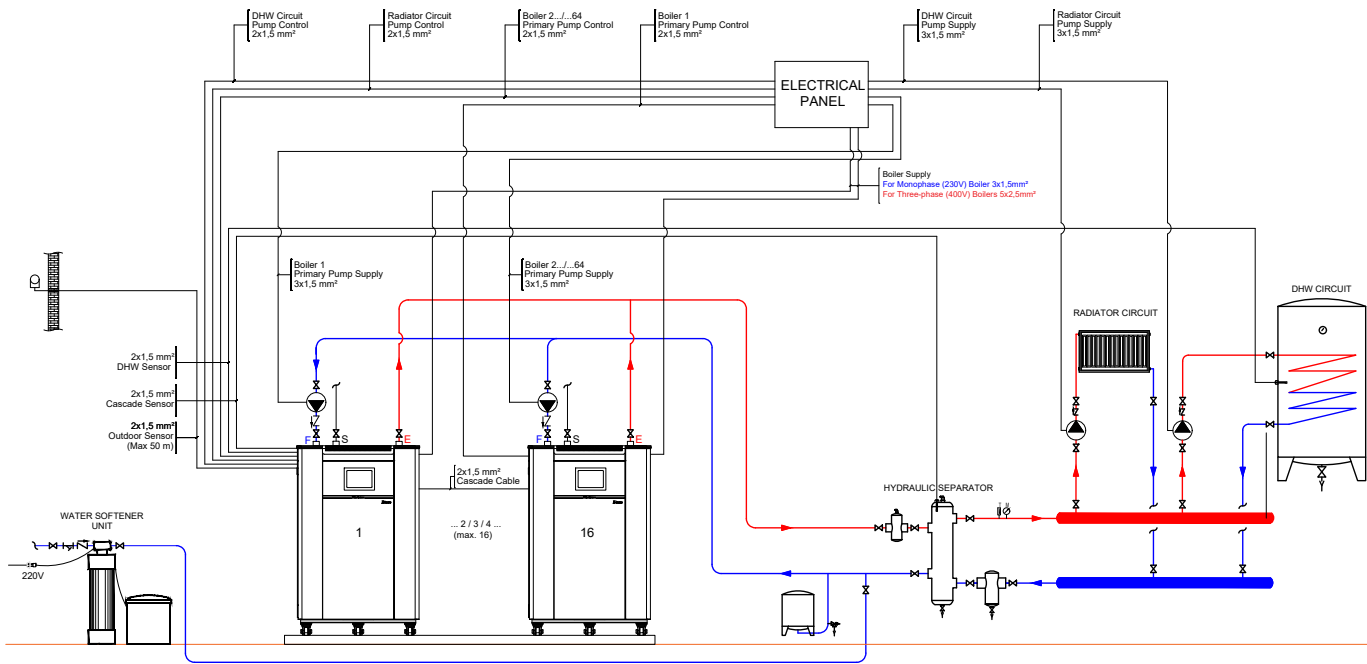
IRIS Air Adjustment Damper



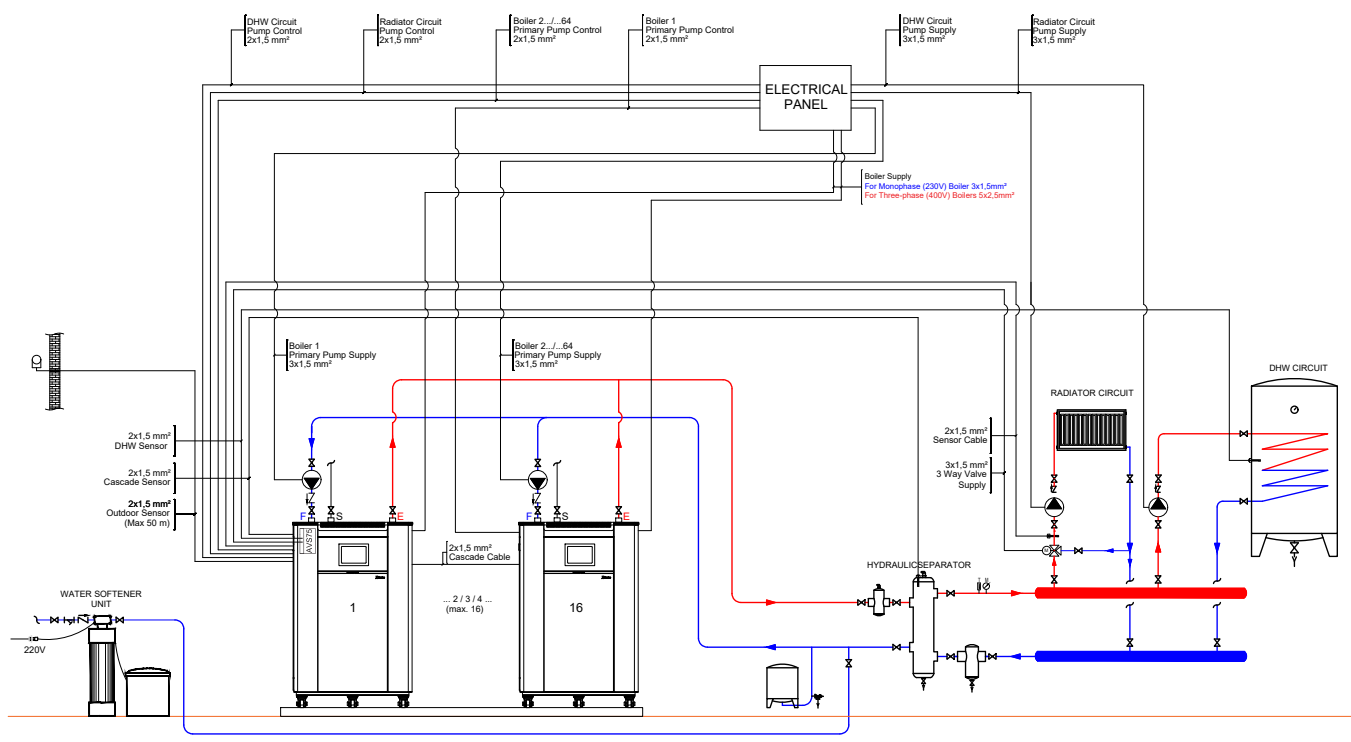
- Provides air adjustment option in radial air ducts.
- Manually controlled air damper can be adjusted at necessary air volume and fixed by the locking mechanism on it.
- Made of galvanized steel sheet.
- Ideal air flow adjustment and measuring equipment for radial air ducts.
- Provides an uniform air flow inside with adjustable iris diameter.
- Suitable for continuous use at -10 °C to +80 °C.

Installation Schemas

DHW + Radiator (Hydraulic Separator)



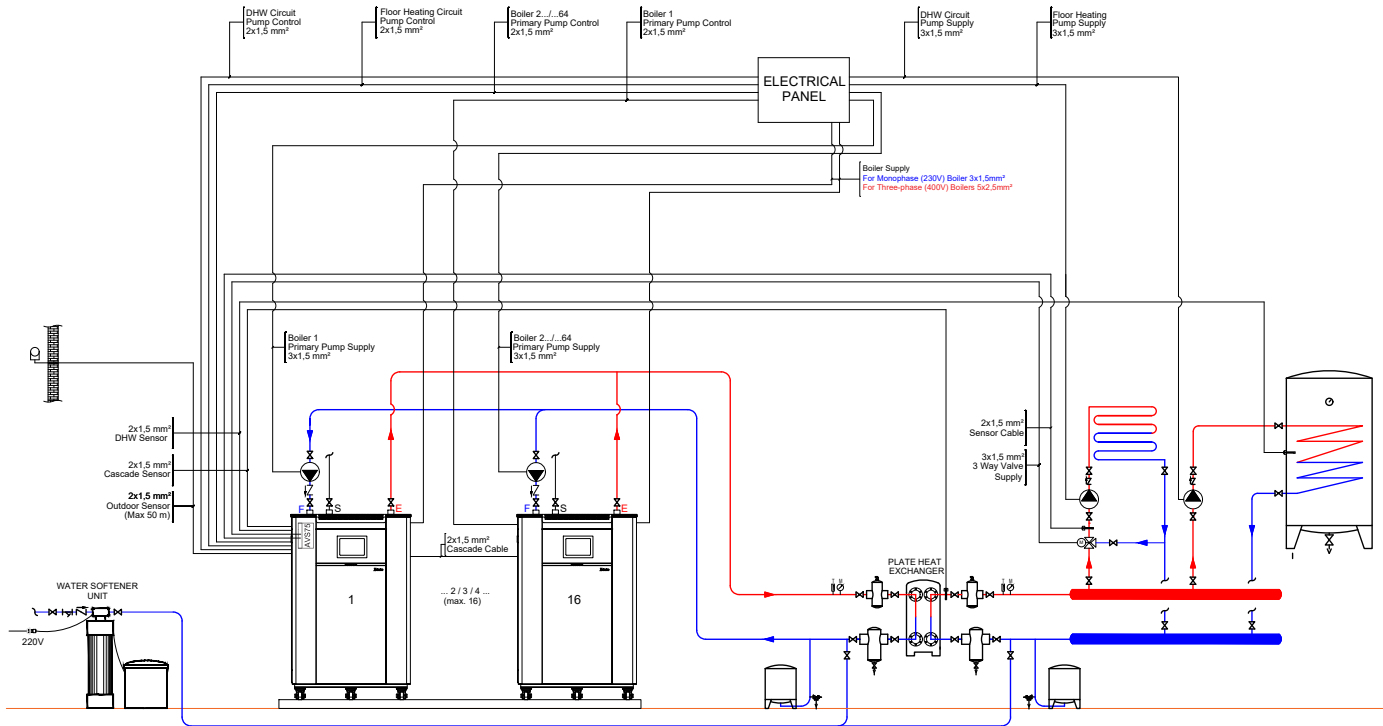
DHW + Radiator (Hydraulic Separator and 3 Way Valve)



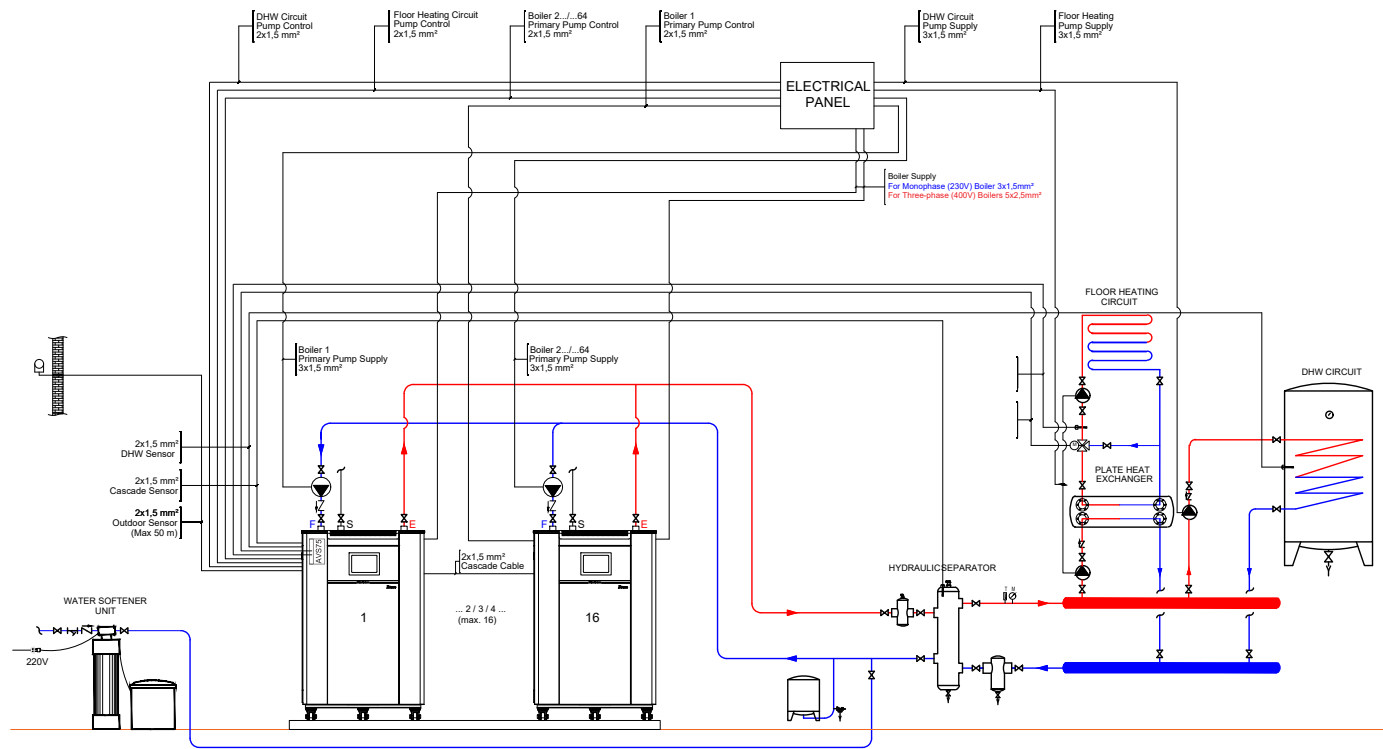
PUMP	VALVE	NON-RETURN VALVE	STRAINER	TEMPERATURE SENSOR	OUTDOOR SENSOR	AIR RELIEF VALVE	THERMOMETER	MANOMETER	SAFETY VALVE	DRAIN	AIR SEPARATOR	DIRT SEPARATOR	EXPANSION VESSEL

Installation Schemas

DHW + Floor Heating (Plate heat exchanger and 3 Way Valve)



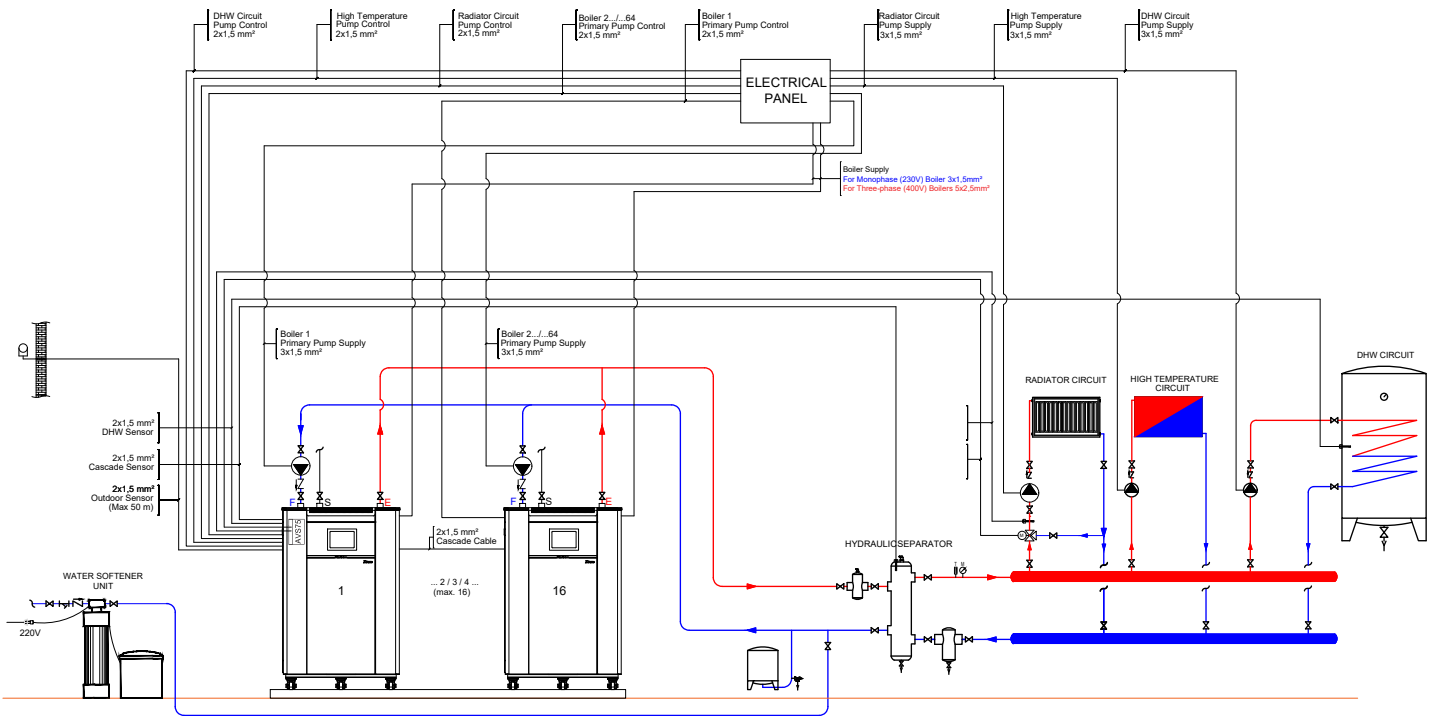
DHW + Floor Heating (Hydraulic Separator, Plate Heat Exchanger and 3 Way Valve)



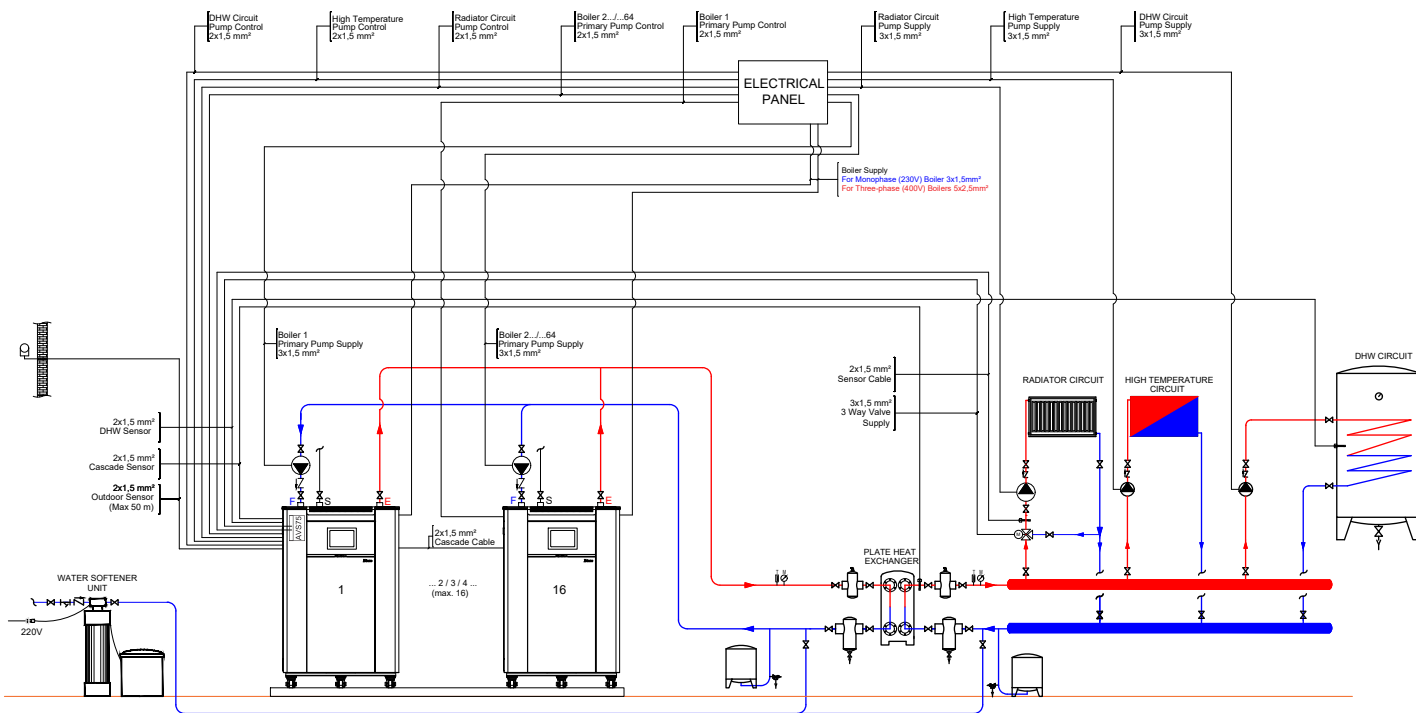
PUMP	VALVE	NON-RETURN VALVE	STRAINER	TEMPERATURE SENSOR	OUTDOOR SENSOR	AIR RELIEF VALVE	THERMOMETER	MANOMETER	SAFETY VALVE	DRAIN	AIR SEPARATOR	DIRT SEPARATOR	EXPANSION VESSEL

Installation Schemas

DHW + High Temperature Circuit + Radiator (Hydraulic Separator and 3 Way Valve)



DHW + High Temperature Circuit + Radiator (Plate Heat Exchanger and 3 Way Valve)



PUMP	VALVE	NON-RETURN VALVE	STRAINER	TEMPERATURE SENSOR	OUTDOOR SENSOR	AIR RELIEF VALVE	THERMOMETER	MANOMETER	SAFETY VALVE	DRAIN	AIR SEPARATOR	DIRT SEPARATOR	EXPANSION VESSEL

BOILER ROOM APPLICATION RECOMMENDATIONS

Gassero is strictly advising to use water softening unit before commissioning process for long term usage. Otherwise, system could harm because of undesirable substances.

It is highly recommended to use plate heat exchanger, if there is floor heating system on the heating line.

The devices that are commissioned outside of the required conditions, could be out of warranty.

Water Condition Range

Total Hardness °d	pH (Aluminium)	pH (Stainless)	Iron (Not Diluted)	Conductivity	Flushing
1	6,5-8,5	7,5-9,5	<10ppm	≤2000µS/cm	It is mandatory to comply with BSRIA 7593 (See: Gassero Flushing Process)

WATER CONDITIONS

Nitrite protection should not be used in boilers with aluminum heat exchangers

As GASSERO, we recommend flushing in the system to prolong the life of system and boilers. No acid-based products should be used during flushing.

The water used in the installation have to be city-water. **Never use well-water**

The boiler have to be serviced annually. All this maintenance should be made by authorized service, water values and the water softening unit (resin, salt etc.) values should be measured and maintained by service

Depending on the water conditions specified in the table, the problems that may occur in the boiler heat exchanger could make out of warranty.

Assembly and installation should made according to Gassero sample schemes.

HYDRAULIC

Boiler (primary) pump have to be selected to in accordance with the required pressure and flow rate.

The boiler (primary) pump have to be in the direction of the installation return line to the boiler.

The system operating pressure should match with the working pressure of boiler. Sales Engineers could give consultancy.

All heat exchanger manufacturers; recommends to use of plate exchanger instead of the hydraulic separator for separate the primary circuit and the secondary circuit.

Domestic waste system could be used for condensate water. In system with a total power of 200 KW and above, a neutralization tank must be used.

Boiler output and input diameters have to be strictly followed, other equipment should be selected according to the this diameters. In order to install other equipment, the diameter of the boiler out should not be reduced.

It is mandatory to use a suitable diameter filter and check valve to the boiler return line pipe at each boiler turn.

Please contact our service department about detail of collector connection in installation of floor type boiler.

Additional zone control modules and sensors have to be requested if there are equipment such as three-way valves and boilers that must be checked on the heating collector. Please contact our Sales Engineer for more information.

Have to be used air separator and dirt separator with hydraulic separator.

In case the plate heat exchanger is used instead of the hydraulic separator as the system separator, expansion tank have to be placed in the primary circuit. If an automatic filling valve is used in the system, a water meter have to be used for following how much water is added to the system.

In cascade systems, the sensor housing must be placed on the hydraulic separator or on the secondary flow line. If the system is separated by a plate heat exchanger, place the sensor housing on the secondary circuit flow line.

ELECTRIC AND FLUE

6A fuses have to be used for the power supply of the boilers. The electrical system must be grounded.

Chimney connections have to be made in accordance with the chimney types and regulations.

The flue gas analysis measuring probe (probe hole) have to be opened by the flue company for each boiler.

Boiler chimneys should be extended by a minimum 1 meter from the boiler flue outlet direction and then connected to the chimney collector without elbows or with elbows.

If the chimney connections passes over the boiler, the connections should be checked properly and water tightening should be provided. Water in the chimney due to leaks may cause the system out of warranty. Adequate ventilation should be provided for the boiler room.

GAS AND OTHER

The operating pressure of the boilers in the natural gas installation is 21 Mbar. Therefore, it is necessary to use a regulator in the gas line. There should be a minimum distance of 1-2 meters between the regulator and the boiler gas flange. There should be discharge line after regulator for discharge of the excess air.

In order to control the gas pressures, the manometer must be fitted before and after the regulator.

Gassero boilers are manufactured for heating and domestic water. Not suitable for commercial or industrial purposes. **GASSERO shall not be held responsible for any problems arising out of the design purpose.**

Distributed by



Hamilton

30 Gallagher Drive, Melville,
Hamilton 3026
Ph: 07 839 2705
E: tzhamilton@temperzone.com

Auckland

38 Tidal Rd, Mangere South,
Auckland 2022
Ph: 09 279 5250
E: nzsales@temperzone.com

Wellington

6 Union Street, Petone,
Lower Hutt 5012
Ph: 04 569 3262
E: wgtm@temperzone.com

Christchurch

40 Cass Street, Sydenham,
Christchurch 8023
Ph: 03 379 3216
E: chch@temperzone.com

www.gassero.com

Gassero
technology for your comfort

Gassero Isı Teknolojileri San. Ltd.

İstanbul Endüstri ve Ticaret Serbest Bölgesi (Free Zone)
4.Sokak No:8 34957 Tuzla / İstanbul
T: +90 (216) 394 09 85



Rev. 00 / 18.11.2019