

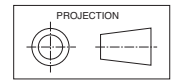
Model	MWU 250KT-S1
Item No.	502-025-101
Nominal Heating Capacity kW *1	20.4
Heating Capacity Range kW	4.6 ~ 25.5
Input Power kW *1	5.0
COP *1	4.08
Unit Controller	UC8
Design HEX differential °C	10
Water Flow rate l/min. *1	29
Min./Max. Inlet Water temp. °C (Heating)	10 / 35
Min. Operating temp. °C	-10
Design Water Temperature (EWT/LWT) °C	25 / 35
Entering Pressure Drop kPa *2	55 (8 psi)
Heat Exchanger	Thermoshell®
Max. Operating Water Pressure kPa	1000 (145 psi)
Electronic Expansion Valves	1
Refrigerant	R410A
Refrigerant Charge kg	2.7
Compressor type	Inverter scroll
Compressor oil type	POE 32-3MAF (or equivalent)
Power supply	3 ph. 400V ac 50Hz + N + E
Running current A	8.5 / 9.5 / 8.5
Max. Running Current A	16 / 18 / 16
RCD type recommended	type B, 30mA, 3 pole
Water connections	1" BSP male (x2)
Sound Power *3 (SWL) dB(A)	73
Sound Pressure @ 3m (SPL) dB(A)	57
Fan type	3 speed Axial 500mm
Pump type	Integrated BLDC
Max. Head Delivery of Pump m	8
Communication Options	BMS / Modbus
Net weight kg (excl. water)	169
Shipping weight kg	178

*1 Rating conditions: 7/6 °C db/wb outdoor ambient; EWT 25°C; LWT 35°C

*2 Pressure drop at Water Flow rate and rating conditions above.

*3 Radiated. BS 848.2 : 2004. Direct method of measurement (reverberant room).

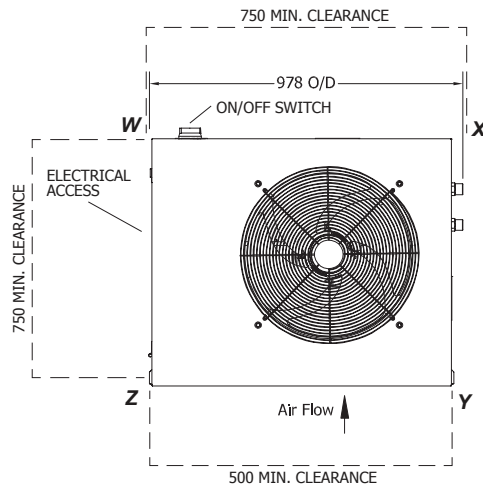
DIMENSIONS (mm)



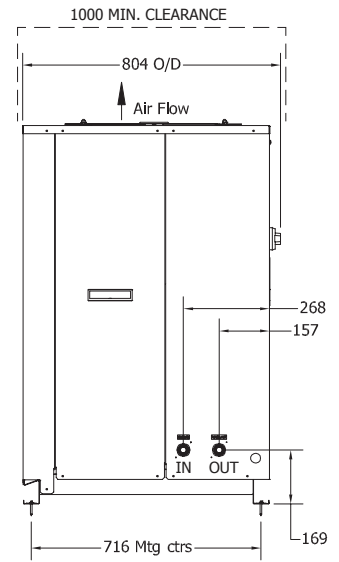
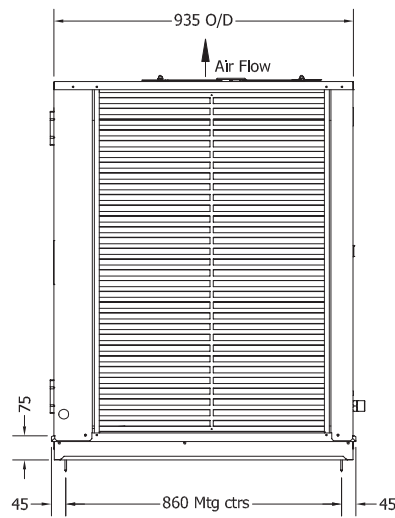
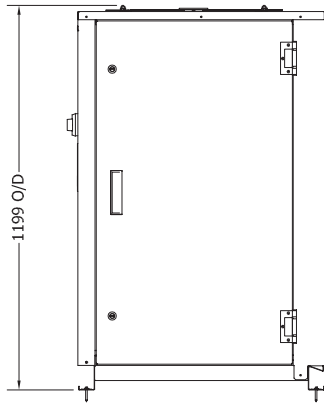
Not to Scale

MWU 250KT

POINT LOADS (kg)				
W	X	Y	Z	
50	41	42	36	

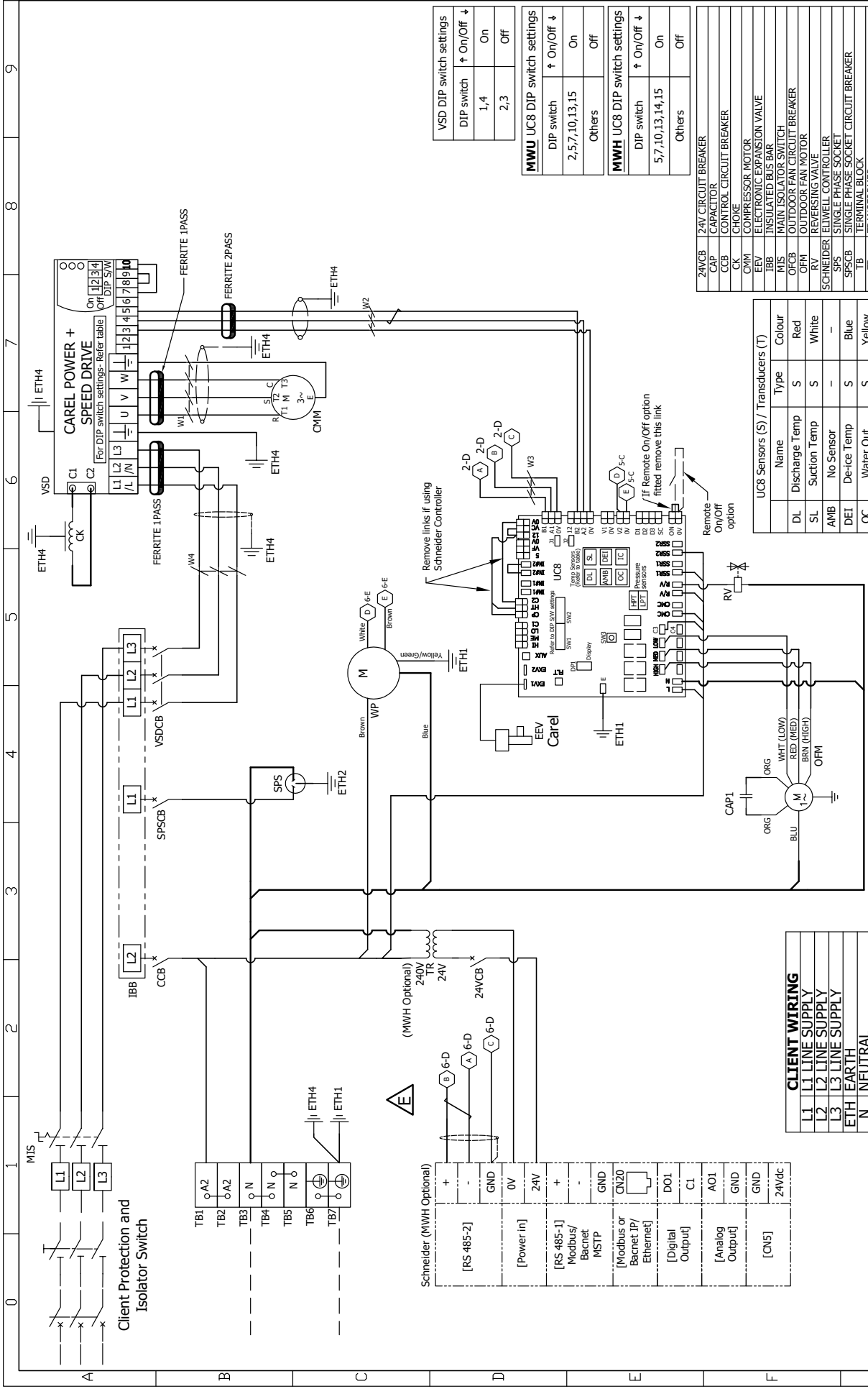


Water Conns:
2x BSP Male 25.4mm (1")



NOTE

Specifications are subject to change without notice due to the manufacturer's ongoing research and development programme.



[RS 485-2]	+	24V
[Power In]	-	0V
[RS 485-1] Modbus/ Bacnet M5TP	GND	24Vdc
[Modbus or Bacnet IP/ Ethernet]	GND	0V
[Digital Output]	C1	24Vdc
[Analog Output]	A01	24Vdc
[N5]	GND	24Vdc

CLIENT WIRING	
L1	L1 LINE SUPPLY
L2	L2 LINE SUPPLY
L3	L3 LINE SUPPLY
ETH	EARTH
N	NEUTRAL

REV	DESCRIPTION	ECN	DATE	APVD
D	Water In sensor colour Blue. Client wiring table added. Change 5Vdc to 24Vdc		13-01-21	Y.Z.
E	"+" and "-" from one twisted pair.		16-04-21	Y.Z.

©temperzone Ltd 2018

DO NOT SCALE - ASK

Client Wiring

Drawn: E.B.A
 Approved: P.J.L

Date: 20-06-18
 PCL

Title: MWH/MMW 250 K UC8 3P
 Wiring Schematic

Drawing No: 291-002-672
 SHEET 1 OF 1
 Rev: E

VSD DIP switch settings	
DIP switch	↑ On/Off ↓
1,4	On
2,3	Off

MMW UC8 DIP switch settings	
DIP switch	↑ On/Off ↓
2,5,7,10,13,15	On
Others	Off

MMW UC8 DIP switch settings	
DIP switch	↑ On/Off ↓
5,7,10,13,14,15	On
Others	Off

24VCB	24V CIRCUIT BREAKER
CAP	CAPACITOR
CCB	CONTROL CIRCUIT BREAKER
CK	CHOKE
GMM	COMPRESSOR MOTOR
IBB	INSULATED BUS BAR
EIV	ELECTRONIC EXPANSION VALVE
MIS	MAIN ISOLATOR SWITCH
OFM	OUTDOOR FAN MOTOR
RV	REVERSING VALVE
SCHNEIDER	ELWELL CONTROLLER
SPS	SINGLE PHASE SOCKET
SPSCB	SINGLE PHASE SOCKET CIRCUIT BREAKER
TB	TERMINAL BLOCK
TR	TRANSFORMER
UC8	UNIT CONTROLLER 8
VSD	VARIABLE SPEED DRIVE
VSDCB	VARIABLE SPEED DRIVE CIRCUIT BREAKER
WP	WATER PUMP

Name	Type	Colour
DL	Discharge Temp	Red
SL	Suction Temp	White
AMB	No Temp	-
DEI	De-Ice Temp	Blue
OC	Water Out	Yellow
IC	Water In	Blue
HPT	High Pressure	T
LPT	Suction Pressure	T

