

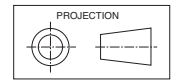
Model	MWU 450KT-S1
Item No.	502-045-101
Nominal Heating Capacity kW *1	37.5
Heating Capacity Range kW	8.5 ~ 46.5
Input Power kW *1	9.3
COP *1	4.04
Unit Controller	UC8
Design HEX differential °C	10
Water Flow rate l/min. *1	54
Min./Max. Inlet Water temp. °C (Heating)	10 / 35
Min. Operating temp. °C	-10
Design Water Temperature (EWT/LWT) °C	25 / 35
Entering Pressure Drop kPa *2	21 (3 psi)
Heat Exchanger	Thermoshell® (x3)
Max. Operating Water Pressure kPa	1000 (145 psi)
Electronic Expansion Valves	2
Refrigerant	R410A
Refrigerant Charge kg	6.3
Compressor type	Inverter scroll
Compressor oil type	PVE FVC68D (or equivalent)
Power supply	3 ph. 400V ac 50Hz + N + E
Running current A	16 / 18 / 16
Max. Running Current A	30 / 33 / 30
RCD type recommended	type B, 30mA, 3 pole
Water connections	1 1/4" BSP male (x2)
Sound Power *3 (SWL) dB(A)	75
Sound Pressure @ 3m (SPL) dB(A)	59
Fan type	3 spd Axial 500mm (x2)
Pump type	Integrated BLDC
Max. Head Delivery of Pump m	8
Communication Options	BMS / Modbus
Net weight (excl. water) kg	322
Shipping weight kg	336

*1 Rating conditions: 7/6 °C db/wb outdoor ambient; EWT 25°C; LWT 35°C

*2 Pressure drop at Water Flow rate and rating conditions above.

*3 Radiated. BS 848.2 : 2004. Direct method of measurement (reverberant room).

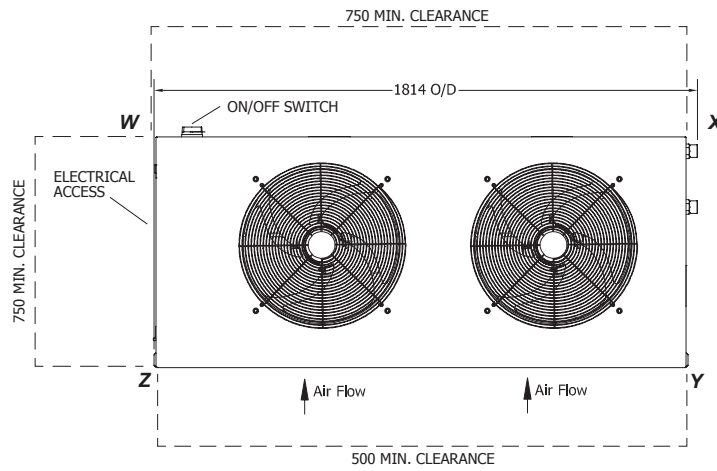
DIMENSIONS (mm)



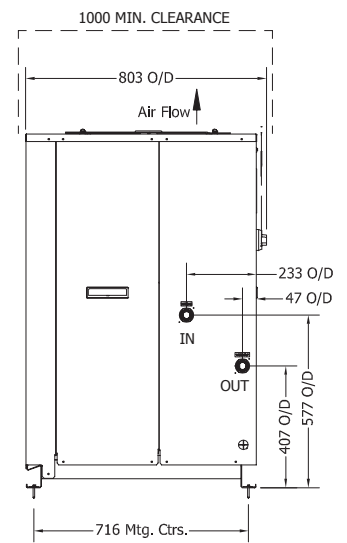
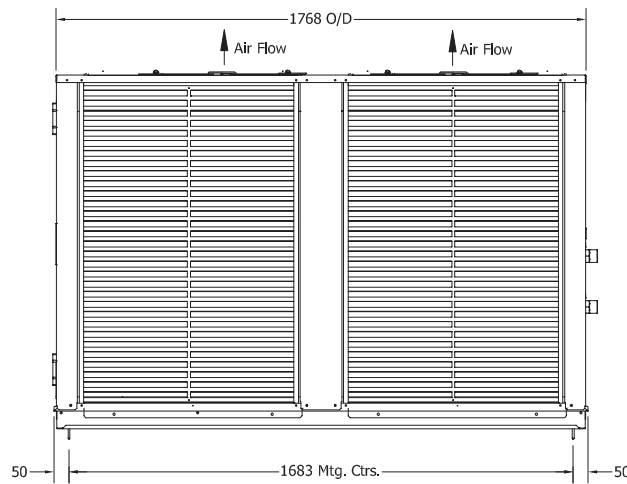
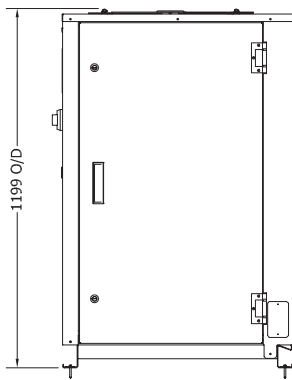
Not to Scale

MWU 450KT

POINT LOADS (kg)			
W	X	Y	Z
93	84	66	79

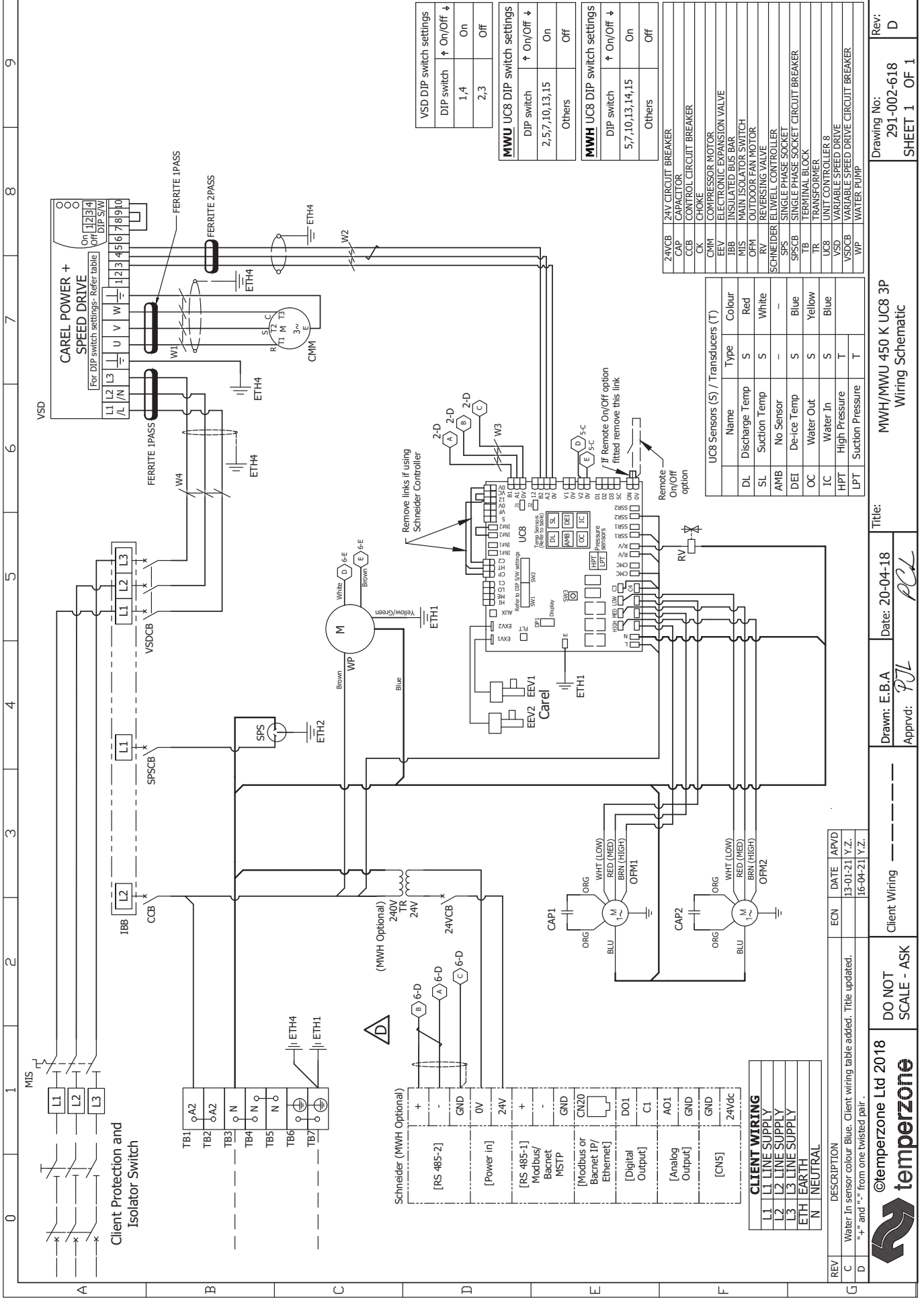


Water Conns:
2x BSP male 32 mm (1 1/4")



NOTE

Specifications are subject to change without notice due to the manufacturer's ongoing research and development programme.



VSD DIP switch settings	
DIP switch	On/Off ↓
1,4	On
2,3	Off

MWU UC8 DIP switch settings	
DIP switch	On/Off ↓
2,5,7,10,13,15	On
Others	Off

MWH UC8 DIP switch settings	
DIP switch	On/Off ↓
5,7,10,13,14,15	On
Others	Off

UC8 Sensors (S) / Transducers (T)		
Name	Type	Colour
DL	Discharge Temp	Red
SL	Suction Temp	White
AMB	No Sensor	-
DET	De-ice Temp	Blue
OC	Water Out	Yellow
IC	Water In	Blue
HPT	High Pressure	Blue
LPT	Suction Pressure	Blue

Rev: D
 Drawing No: 291-002-618
 SHEET 1 OF 1

Title: MW/MWU 450 K UC8 3P
 Wiring Schematic

Drawn: E.B.A.
 Date: 20-04-18
 Apprvd: P.J.L.

Client Wiring
 DO NOT SCALE - ASK

©temperzone Ltd 2018
 temperzone

REV	DESCRIPTION	ECN	DATE	APVD
C	Water in sensor colour Blue. Client wiring table added. Title updated.		13-01-21	Y.Z.
D	"+" and "-" from one twisted pair."		16-04-21	Y.Z.

CLIENT WIRING	
L1	LINE SUPPLY
L2	LINE SUPPLY
L3	LINE SUPPLY
ETH	EARTH
N	NEUTRAL

