

Model	MWP 400KT-S1
Item No.	502-040-201
Nominal Heating Capacity kW *1	44.0 (39.9)
Input Power kW *1	7.0 (6.6)
COP *1	5.91 (5.67)
Unit Controller	UC8
Design HEX differential °C	3
Water Flow rate l/min.	210 (190)
Min./Max. Inlet Water temp. °C (Heating)	10 / 40
Min. Operating temp. °C	-10
Design Water Temperature °C	22 – 25
Entering Pressure Drop @ nominal flow kPa	276
Heat Exchanger	Titanium Thermoshell®
Max. Operating Water Pressure kPa	200
Electronic Expansion Valves	2
Refrigerant	R410A
Refrigerant Charge kg	7.0
Compressor type	Digital scroll
Compressor oil type	POE 32-3MAF (or equivalent)
Power supply *4	3 ph. 400 V ac 50 Hz + N + E
Compressor circuit breaker A	25
Auxiliary power outlet (1ph.) overload A	10
Running current A/ph.	14 / 16 / 14
Max. Running Current *3 A/ph.	22
RCD type recommended	type A, 30mA, 3 pole
Water connections	2" BSP union (x2)
Sound Power *2 (SWL) dB(A)	71
Sound Pressure @ 3m (SPL) dB(A)	55
Fan type	3 spd Axial 500mm (x2)
Max. external static pressure of fan Pa	25
Communication Options	BMS / Modbus
Control supplied	TZT-100
Net weight (excl. water) kg	285
Shipping weight kg	299

*1 Rating conditions: 27/20 °C db/wb outdoor ambient; EWT 27°C; LWT 30°C

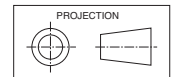
() bracketed figures: 20/17 °C db/wb outdoor ambient; EWT 25°C; LWT 28°C

*2 Radiated. BS 848.2:2004. Direct method of measurement (reverberant room).

*3 No allowance for auxiliary components.

*4 Voltage range: 380–440V.

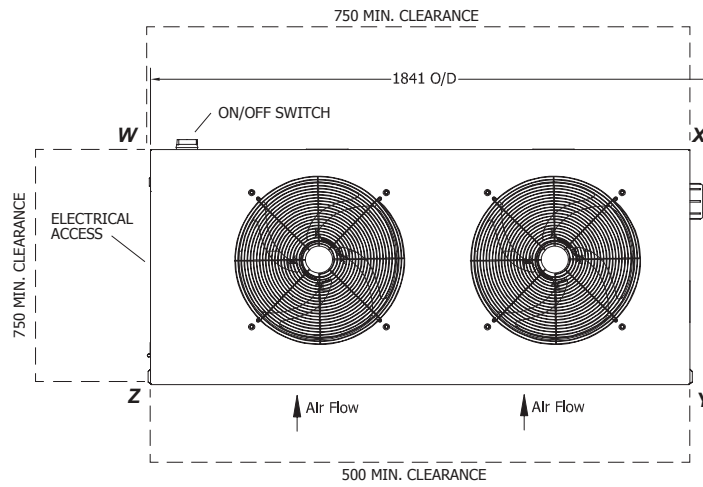
DIMENSIONS (mm)



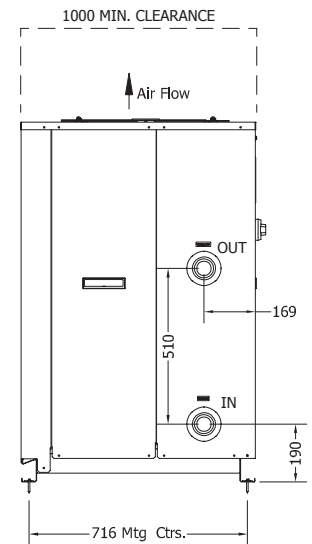
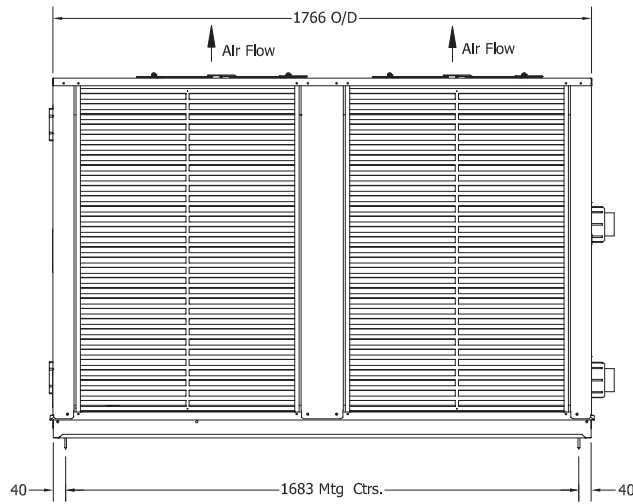
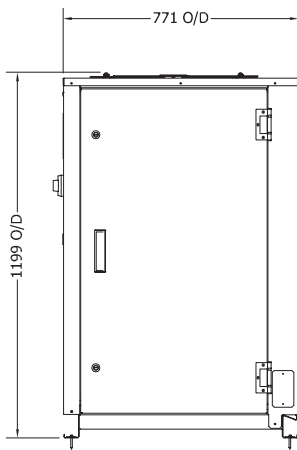
Not to Scale

MWP 400KT

POINT LOADS (kg)				
W	X	Y	Z	
90	70	64	61	

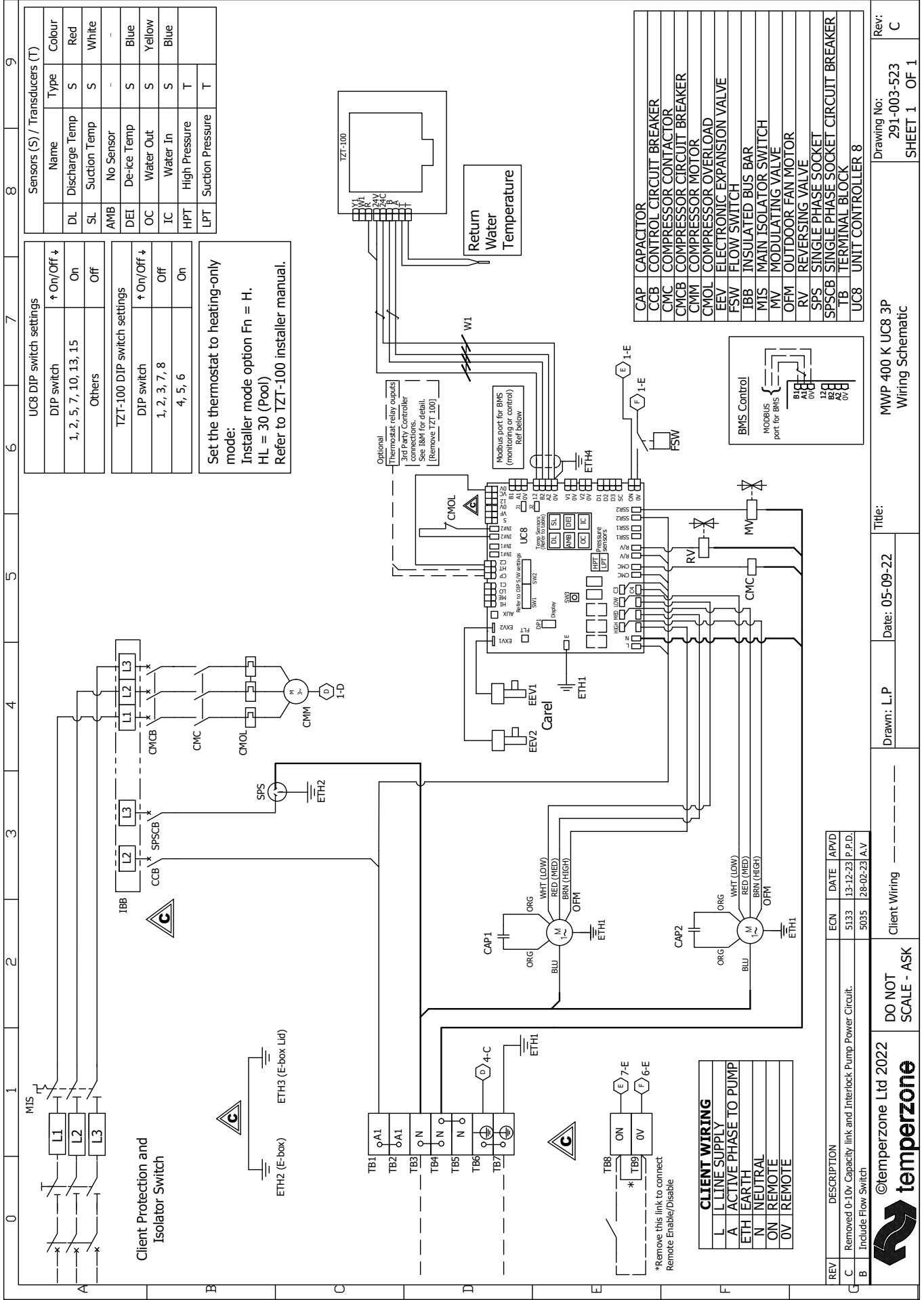


Water Conns:
2" Union Connector



NOTE

Specifications are subject to change without notice due to the manufacturer's ongoing research and development programme.



Sensors (S) / Transducers (T)		
Name	Type	Colour
DL	Discharge Temp	S Red
SL	Suction Temp	S White
AMB	No Sensor	-
DEI	De-ice Temp	S Blue
OC	Water Out	S Yellow
IC	Water In	S Blue
HPT	High Pressure	T
LPT	Suction Pressure	T

UC8 DIP switch settings	
DIP switch	↑ On/Off ↓
1, 2, 5, 7, 10, 13, 15	On
Others	Off

TZT-100 DIP switch settings	
DIP switch	↑ On/Off ↓
1, 2, 3, 7, 8	Off
4, 5, 6	On

Set the thermostat to heating-only mode:
 Installer mode option Fn = H.
 HL = 30 (Pool)
 Refer to TZT-100 installer manual.

CAP	CAPACITOR
CCB	CONTROL CIRCUIT BREAKER
CMC	COMPRESSOR CONTACTOR
CMCB	COMPRESSOR CIRCUIT BREAKER
CMM	COMPRESSOR MOTOR
CMOL	COMPRESSOR OVERLOAD
EEV	ELECTRONIC EXPANSION VALVE
FSW	FLOW SWITCH
IBB	INSULATED BUS BAR
MIS	MAIN ISOLATOR SWITCH
MV	MODULATING VALVE
OFM	OUTDOOR FAN MOTOR
RV	REVERSING VALVE
SPS	SINGLE PHASE SOCKET
SPSCB	SINGLE PHASE SOCKET CIRCUIT BREAKER
TB	TERMINAL BLOCK
UC8	UNIT CONTROLLER 8

Client Wiring _____

DO NOT SCALE - ASK

©temperzone Ltd 2022

temperzone

REV	DESCRIPTION	ECN	DATE	APVD
C	Removed 0-10v Capacity link and Interlock Pump Power Circuit.	5133	13-12-23	P.P.D.
B	Include Flow Switch	5035	28-02-23	A.V

Client Wiring _____

Date: 05-09-22

Drawn: L.P

Title: _____

MWP 400 K UC8 3P
Wiring Schematic

Drawing No: 291-003-523
SHEET 1 OF 1

Rev: C

