

OSA 840RKTBGV (Digital c/w UC8 Controllers)

Reverse Cycle R410A Split System Outdoor Unit

Installation & Maintenance

GENERAL

The OSA 840RKTBG outdoor unit is a twin system that provides the facility for capacity control (staging) or staggered starting. One of the two compressors is digital, permitting a further stage of capacity variability.

This OSA 840RKTBG Outdoor Unit must be installed in accordance with all national and local safety codes.

Option

TZT-100 Room Temperature Controller

INSTALLATION

Positioning

Refer to dimension diagram below for minimum clearances. Fasten the unit down to a firm flat horizontal base using the six holes provided in the mounting rails.

When the unit is being installed on a roof it is recommended that the unit is installed on a substantial structure with anti-vibration mounts or pads.

Drain

Four drain holes are provided in the base of the unit to release condensate and/or rain water.

Coil Protection

A coil protection guard is available as an optional extra.

REFRIGERATION PIPING

General

The OSA 840 is shipped with a refrigerant charge sufficient for a 10 m line length. The matched indoor unit is shipped with a holding charge of nitrogen. OSA 840 units have brazed pipe connections.

Recommended Pipe Sizes

Suction pipe (x2): 35 mm OD
Liquid pipe (x2): 16 mm OD

Line Lengths

The standard unit is suitable for a line length up to 50 m. For line lengths between 50 m and 90 m, refer to **temperzone's Split Systems Installation Guide** (refer www.temperzone.biz/Technical Support). Refer also to *Oil Charge* overleaf.

Maximum line length when extended is 90m.

Height Separation Limits

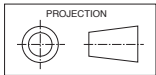
Outdoor Unit above Indoor Unit : 20 m
Outdoor Unit below Indoor Unit : 20 m

Vertical Risers

If the outdoor unit is to be installed above the indoor unit, then the suction riser should be trapped at the bottom of the vertical rise and then again at 8 m (maximum) intervals. This is to ensure oil return to the compressor. The trap to be a 'swan neck' curve in the pipe, with no change in the pipe size.

Dimensions (mm)

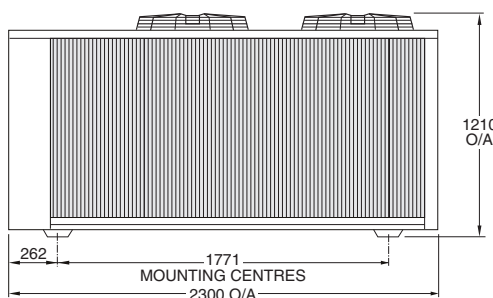
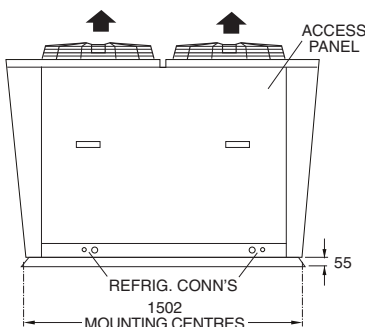
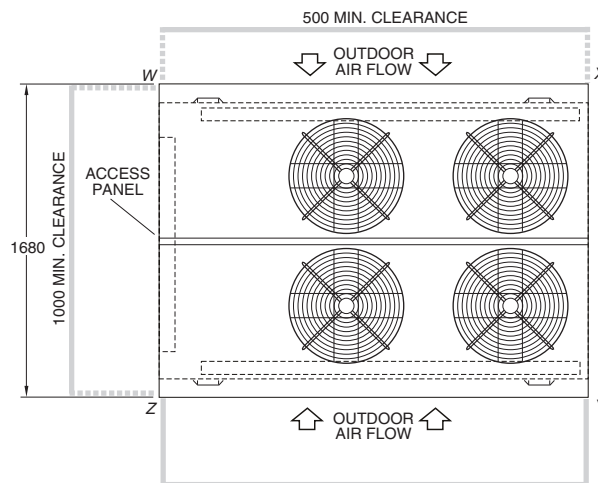
OSA 840RKTBGV



Not to Scale

Net Weight 589 kg

CORNER LOADS (kg)			
W	X	Y	Z
193	92	92	194



Piping

1. Use clean sealed refrigeration grade piping and accessories designed specifically for R410A.
 2. Cut pipe with a pipe cutter ONLY.
 3. Use long radius bends (2x pipe dia.).
 4. Insulate the suction (gas) line and seal all insulation joints.
 5. Bi-flow type filter dryer may be fitted in the liquid line.
 6. Include a process point on the interconnecting pipework.
 7. Ensure open pipe ends are sealed until the final connection is made.
 8. Immediately before removing brazed pipe connection's seal, reduce holding charge between connection points and service valves to atmospheric pressure.
- Warning:** Failure to do so may cause injury.

Important

Do not connect System 1 to System 2.

Charging

The unit is supplied with sufficient refrigerant HFC-410A (R410A) for 10 m of pipework between the indoor and outdoor units; refer wiring diagram specification table for amount. Add 170 g per metre per system above 10 m.

Procedure (per system):

1. Evacuate Indoor Unit and interconnecting pipework to a pressure of 500 microns and hold for 15 mins.

- Add refrigerant via the Schraeder connection on the smaller of the Outdoor Unit's two service valve extension pipes.
- Open the service valve at the Outdoor Unit to allow refrigerant to flow throughout the system.
- Leak check all brazed and fitted joints.

IMPORTANT :

Step 8 of the 'Start Up Procedure' requires you to check that the superheat on the suction line (where it enters the Outdoor Unit) is between 3°C – 5°C on cooling cycle with an indoor air temperature in the range 21° – 27°C and outdoor air temperature in the range 24° – 35°C. If the conditions of the day do not allow this, use the heating cycle (on a reverse cycle unit) or other heat source to raise the indoor air temperature to about 24°C and blank off the outdoor coil to raise the head pressure to 400 psig (2760 kPag). Alter charge up or down to establish correct superheat.

WARNING:

This unit is designed for use ONLY with the refrigerant HFC-410A (R410A). The use of other refrigerants is NOT authorised or approved by the manufacturer and may cause operational problems such as poor performance and efficiency, loss of capacity, degradation of materials and refrigerant leaks. **The use of flammable or explosive materials as a refrigerant creates the additional risks of fire and explosion which may result in property damage, personal injury or death.**

Oil Charge

For line lengths in excess of 30 m, *Emkarate* RL22CF polyolester oil (or similar) should be added to the refrigerant at the rate of 30 ml/m of suction piping.

Note: This oil absorbs moisture quickly if exposed to open air. Do not use mineral oil.

ELECTRICAL REQUIREMENTS

Electrical work must be done by a qualified electrician. The outdoor unit must be wired directly from a distribution board by means of a circuit breaker or H.R.C. fuse, and a mains isolator provided - preferably close to the Outdoor Unit.

Note: DO NOT USE REWIRABLE FUSES.

The OSA 840 is provided with a 24V AC control circuit for a thermostat, on/off switch and/or time clock.

Standard units are suitable for use with thermostats with either manual Heat/Cool selection or automatic changeover subject to the contact ratings of the thermostats.

Refer to **temperzone** for recommended thermostats.

A 24 hour power supply is required to the unit. Disconnect the crankcase heater if the total line length is less than 8 m.

SYSTEM CHECK TESTS

- Leave the remote switch in the off position and close the mains isolating switch.
A four hour delay period is required to allow the crankcase heater to drive any liquid refrigerant out of the compressor oil. Bypass the crankcase heater thermostat (CCHT) for this period only.
- Check that all fan motors are free running.
- Check for correct rotation of the compressor. If rotation is incorrect the compressor will not pump and will draw minimal current. To correct motor rotation, change the phasing at the main power terminal.
- Check that the thermostat is correctly wired to the unit and is set at the desired temperature.
- Check that the air filters, if any, have been correctly installed.
- Check any supply air diffuser dampers are open.

START UP PROCEDURE

Check each system independently first before running complete system. After the four hour delay for the crankcase heater has expired, use the supplied Commissioning Sheet (Form NS 217) to record results when completing the following 'Start-up' procedure. The supplied *UC6 Service Interface display* should be used to read, pressures, superheat and its set-point, compressor amps etc.

- Select a sensible Fan speed (or Auto Fan mode), operating cycle (cool or heat), and room temperature set point, depending on the time of year, such that the compressor will start and run at a high capacity.
- Turn ON the thermostat / External controller. Wait for the compressor to start and reach a stable speed. Measure the current for each phase feeding into the compressor's. Compare against the compressor amps specified on the unit's wiring diagram.
- Check for correct rotation of the compressor. If rotation is incorrect the compressor will not pump and will draw minimal current. To correct motor rotation, change the phasing at the main power terminal.
- Measure the current draw of each fan motor. Check all readings against the specified values in the wiring diagram.
- Use the UC8 Controller display to read operating pressures and status. Alternatively, fit gauges and measure the suction and discharge pressures of both refrigeration circuits.
Important: Gauges must be designed specifically for use with R410A.
- Check that the outdoor air fan motors are running smoothly and drawing less than the full load amps specified.
- Check the superheat - refer charging procedure.

- Check the indoor unit's fan belt tension after 20 mins of operation and adjust if necessary (refer Commissioning Sheet).
- Test the operation of the reversing valve by running the unit in both the heating and cooling mode.
- Check the supply air flow at each outlet.
- Touch up any outdoor unit paintwork damage to prevent corrosion.

UNIT CONTROLLER (UC8)

The Unit Controller provides system protection functions such as coil frost protection, de-icing, high head pressure and low suction pressure cut-out. It also protects against rapid cycling of the compressors and loss of refrigerant. Various methods of head pressure control (or limiting) are employed in temperzone units. The particular method used varies from model to model, but is also handled by the Unit Controller. In combination, these features deliver optimised performance across a wide operating temperature range.

Refer to UC8 Controller label on the unit or **www.temperzone.biz** for operation & fault diagnostics information.

MAINTENANCE

Weekly For First Four Weeks

- Check air filters, if fitted, and vacuum or wash clean as necessary.
- Check condensate drain for free drainage.
- Check compressor compartment for oil stains indicating refrigerant leaks.

Three Monthly (or every 1200 hrs of operation)

Check the indoor unit's fan belt tension and adjust if necessary.

Six Monthly

- Check the tightness of electrical connections.
- Check the tightness of fans and motor mountings.
- Check suction and discharge operating pressures. (Using the UC8 display avoids fitting and removing gauges with consequential refrigerant loss.)
- Replace indoor unit air filters (if fitted).
- Check condensate drain for free drainage.

Yearly

- Check all refrigerant piping for chafing and vibration.
- Check air supply at all diffusers.
- Check for excessive noise and vibration and correct as necessary.
- Check for insulation and duct damage and repair as necessary.
- Remove lint and dust accumulation from outdoor coil fins.
- Touch up all outdoor unit paintwork damage to prevent corrosion.

NOTE

The manufacturer reserves the right to change specifications at any time without notice or obligation. Certified dimensions available on request.

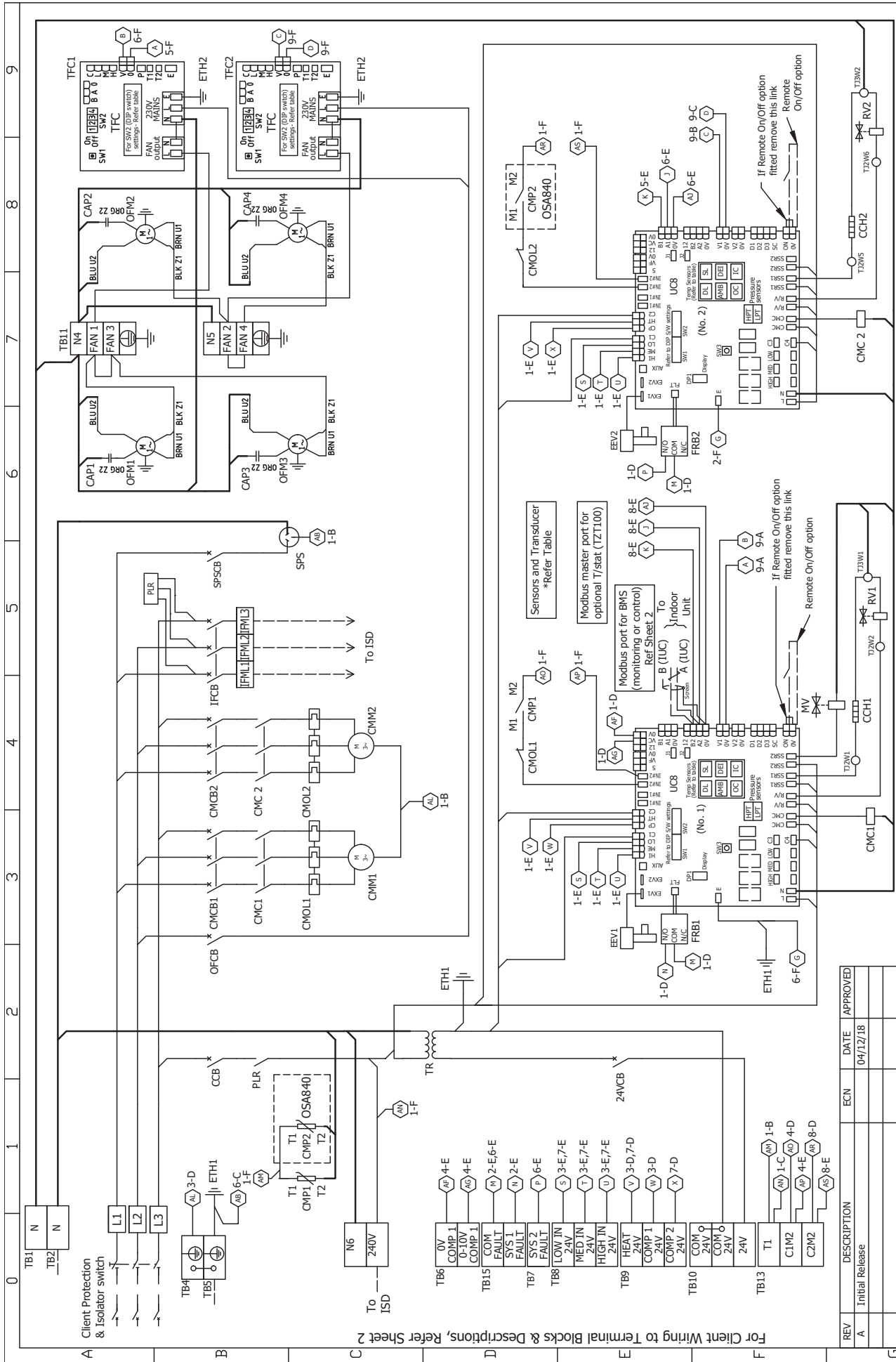
**Pipe Length Capacity Loss
On Cooling Cycle Due to Pressure Drop**

Note : Loss percentages are approximations only, due to piping variations. No allowance made for vertical piping.

Pipe Size (mm)		Performance Loss per additional 10m beyond first 5m.	Additional Pipe Length to allow per Suction Pipe Bend Long 90° Radius (2 x pipe dia.)
Liquid	Suction		
16	35	1.0 %	0.76 m
16	41	0.8 %	0.90 m

Model	OSA 840RKTBGV
Unit Controller	UC8 (x2)
Refrigerant	R410A
Refrigerant Pre-Charge (10m)	12.3 kg/sys.
Compressor oil type	POE 32-3MAF (or equivalent)
Compressor type	digital + fixed scroll
Power supply	3 ph. 400V ac 50Hz
Compressor (3ph.) run amps at rating cond.	21 A/ph. (x2)
Compressor overload setting	25/30 A (Dig/Fixed)
Compressor circuit breaker	40 A (x2)
Indoor fan motor size	EC plug 500 dia. 2.65kW (x2)
Nominal air flow at rating conditions	4500 l/s
Indoor fan motor (3ph.) - full load	4.0 A/ph. (x2)
Outdoor fan motor (1ph.) - full load	2.7 A (x4)
Outdoor fan capacitor size	12µfd (x4)
Control circuit breaker (internal)	4A
Single phase socket circuit breaker	10A
Running amps (total system)	49 / 58 / 49 A
Net weight	571 kg
Base & Additional Charge	10.6Kg (170grams per metre line length per system, based on Ø16 liquid line & Ø35 gas line)
Additional Oil	30ml per metre over 40 metre line length.

Important Notes:																																																													
<p>1) Crankcase Heater Note 24 Hour power required for control circuit and crankcase heaters</p>		<p>2) Mode Selection • Switch on mains power to the controller and wait until the display shows a flashing decimal point. • Hold down pushbutton SW3 until the display shows the letter 'n', then release the button. • The display will show the currently selected expansion device mode. If the LED display is not showing 'S', press the pushbutton until the LED shows 'S'. Wait 30 sec for settings to save and controller to auto-restart.</p>		<table border="1"> <thead> <tr> <th colspan="4">Sensors (S) / Transducers (T)</th> </tr> <tr> <th>DL</th> <th>Name</th> <th>Type</th> <th>Colour</th> </tr> </thead> <tbody> <tr> <td>DL</td> <td>Discharge Temp</td> <td>S</td> <td>RED</td> </tr> <tr> <td>SL</td> <td>Suction Temp</td> <td>S</td> <td>WHITE</td> </tr> <tr> <td>AMB</td> <td>Ambient Temp</td> <td>S</td> <td>BLACK</td> </tr> <tr> <td>DEI</td> <td>De-ice Temp</td> <td>S</td> <td>BLUE</td> </tr> <tr> <td>LPT</td> <td>Suction Pressure</td> <td>T</td> <td></td> </tr> <tr> <td>HPT</td> <td>High Pressure</td> <td>T</td> <td></td> </tr> </tbody> </table>		Sensors (S) / Transducers (T)				DL	Name	Type	Colour	DL	Discharge Temp	S	RED	SL	Suction Temp	S	WHITE	AMB	Ambient Temp	S	BLACK	DEI	De-ice Temp	S	BLUE	LPT	Suction Pressure	T		HPT	High Pressure	T		<table border="1"> <thead> <tr> <th colspan="3">SAT-3 & TZT100 connection to UC8 terminals</th> </tr> <tr> <th>UC8 terminals</th> <th>SAT-3</th> <th>TZT100 Terminals</th> </tr> </thead> <tbody> <tr> <td>12</td> <td>12V</td> <td>24</td> </tr> <tr> <td>B2</td> <td>B</td> <td>B</td> </tr> <tr> <td>A2</td> <td>A</td> <td>A</td> </tr> <tr> <td>0V</td> <td>GND</td> <td>24C</td> </tr> </tbody> </table> <p>Screen to 0V</p>		SAT-3 & TZT100 connection to UC8 terminals			UC8 terminals	SAT-3	TZT100 Terminals	12	12V	24	B2	B	B	A2	A	A	0V	GND	24C	<p>Client Wiring</p>		<p>BMS Control</p>	
Sensors (S) / Transducers (T)																																																													
DL	Name	Type	Colour																																																										
DL	Discharge Temp	S	RED																																																										
SL	Suction Temp	S	WHITE																																																										
AMB	Ambient Temp	S	BLACK																																																										
DEI	De-ice Temp	S	BLUE																																																										
LPT	Suction Pressure	T																																																											
HPT	High Pressure	T																																																											
SAT-3 & TZT100 connection to UC8 terminals																																																													
UC8 terminals	SAT-3	TZT100 Terminals																																																											
12	12V	24																																																											
B2	B	B																																																											
A2	A	A																																																											
0V	GND	24C																																																											
<p>3) TZT 100 Note To connect TZT100 to unit use 2 pair twisted cable - screen grounded. (F/UTP 24G (0.2mm²) or thicker recommended)</p>		<table border="1"> <thead> <tr> <th colspan="2">UC8 DIP switch settings (No.1)</th> <th colspan="2">UC8 DIP switch settings (No.2)</th> </tr> <tr> <th>DIP switch</th> <th>On/Off</th> <th>DIP switch</th> <th>On/Off</th> </tr> </thead> <tbody> <tr> <td>1,2,4,7,8,10</td> <td>On</td> <td>1,4,7,8,10,11</td> <td>On</td> </tr> <tr> <td>All Others Off</td> <td>Off</td> <td>All Others Off</td> <td>Off</td> </tr> </tbody> </table>		UC8 DIP switch settings (No.1)		UC8 DIP switch settings (No.2)		DIP switch	On/Off	DIP switch	On/Off	1,2,4,7,8,10	On	1,4,7,8,10,11	On	All Others Off	Off	All Others Off	Off	<table border="1"> <thead> <tr> <th colspan="2">TFC DIP switch settings</th> </tr> <tr> <th>DIP switch</th> <th>On/Off</th> </tr> </thead> <tbody> <tr> <td>-</td> <td>On</td> </tr> <tr> <td>1, 2, 3, 4</td> <td>Off</td> </tr> </tbody> </table>		TFC DIP switch settings		DIP switch	On/Off	-	On	1, 2, 3, 4	Off	<p>Remote option</p>																															
UC8 DIP switch settings (No.1)		UC8 DIP switch settings (No.2)																																																											
DIP switch	On/Off	DIP switch	On/Off																																																										
1,2,4,7,8,10	On	1,4,7,8,10,11	On																																																										
All Others Off	Off	All Others Off	Off																																																										
TFC DIP switch settings																																																													
DIP switch	On/Off																																																												
-	On																																																												
1, 2, 3, 4	Off																																																												
<table border="1" style="width:100%;"> <tr> <th>REV</th> <th>DESCRIPTION</th> <th>ECN</th> <th>DATE</th> <th>APPROVED</th> </tr> <tr> <td>A</td> <td>Initial Release</td> <td></td> <td>04/12/18</td> <td></td> </tr> </table>										REV	DESCRIPTION	ECN	DATE	APPROVED	A	Initial Release		04/12/18																																											
REV	DESCRIPTION	ECN	DATE	APPROVED																																																									
A	Initial Release		04/12/18																																																										
		<p>©temperzone Ltd 2018 DO NOT SCALE - ASK</p>		<p>Client Wiring</p>		<p>Drawn: PYU Date: 04/12/18 Title: OSA0840/0950RKTBGV UC8 Wiring Schematics</p>		<p>Drawing No: 291-002-497 SHEET 2 OF 3</p>																																																					
				<p>Apprvd: SR</p>		<p>PCG</p>		<p>Rev: A</p>																																																					



Rev: A
 Drawing No: 291-002-497
 SHEET 1 OF 3

Title: OSA0840/0950RKTBGV UC8
 Wiring Schematics

Date: 04/12/18
 Drawn: PYU
 Apprvd: SR

Client Wiring

DO NOT SCALE - ASK



REV	DESCRIPTION	ECN	DATE	APPROVED
A	Initial Release		04/12/18	