

PRELIMINARY

<b>Model</b>	<b>MWP 800KTM-S1</b>
Item No.	502-080-201-ENG
Nominal Heating Capacity kW *1	87.8 (79.2)
Input Power kW *1	14.1 (13.9)
COP *1	5.91 (5.76)
Unit Controller	UC8
Design HEX differential °C	3
Water Flow rate l/min.	419 (378)
Min./Max. Inlet Water temp. °C (Heating)	10 / 40
Min. Operating temp. °C	-10
Design Water Temperature range °C	22 – 25
Entering Pressure Drop @ nominal flow kPa	165
Heat Exchanger	Titanium Thermoshell® (x2)
Max. Operating Water Pressure kPa	200
Electronic Expansion Valves	4
Refrigerant	R410A
Refrigerant Charge kg	7 / sys.
Compressor type	Digital scroll (x2)
Compressor oil type	POE 32-3MAF (or equivalent)
Power supply *4	3 ph. 400 V ac 50 Hz + N + E
Compressor circuit breaker A	32 (x2)
Auxiliary power outlet (1ph.) overload A	10
Start-up current A	TBA
Running current A/ph	30 / 30 / 28
Max. Running Current *3 A/ph	40
RCD type recommended	type A, 30mA, 3 pole
Water connections	2" BSP union (x4)
Sound Power (SWL) dB(A)	74
Sound Pressure @ 3m (SPL) dB(A)	56
Fan type	3 spd Axial 500mm (x4)
Max. external static pressure of fan Pa	25
Communication Options	BMS / Modbus
Control supplied	TZT-100
Net weight (excl. water) kg	549
Shipping weight kg	572

\*1 Rating conditions: 27/20 °C db/wb outdoor ambient; EWT 27°C; LWT 30°C  
 ( ) bracketed figures: 20/17 °C db/wb outdoor ambient; EWT 25°C; LWT 28°C

\*2 Radiated. BS 848.2:2004. Direct method of measurement (reverberant room).

\*3 No allowance for auxiliary components.

\*4 Voltage range 380–440V.

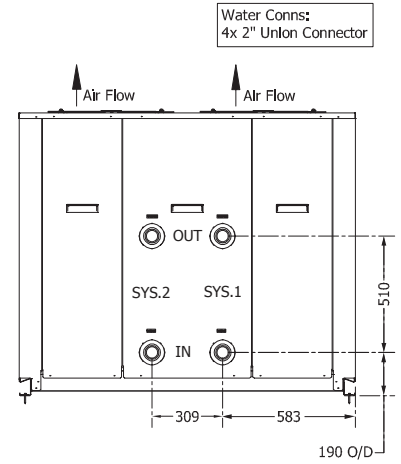
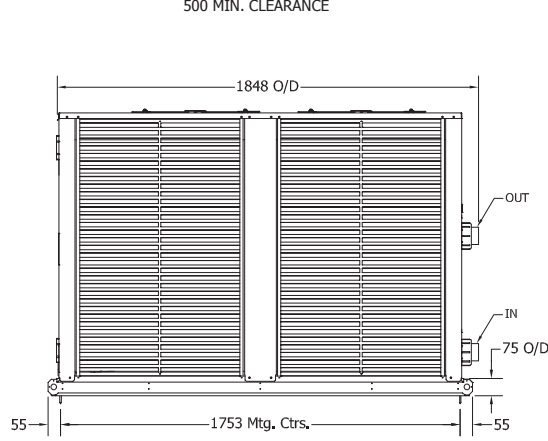
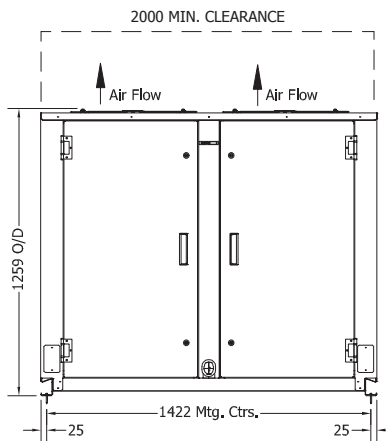
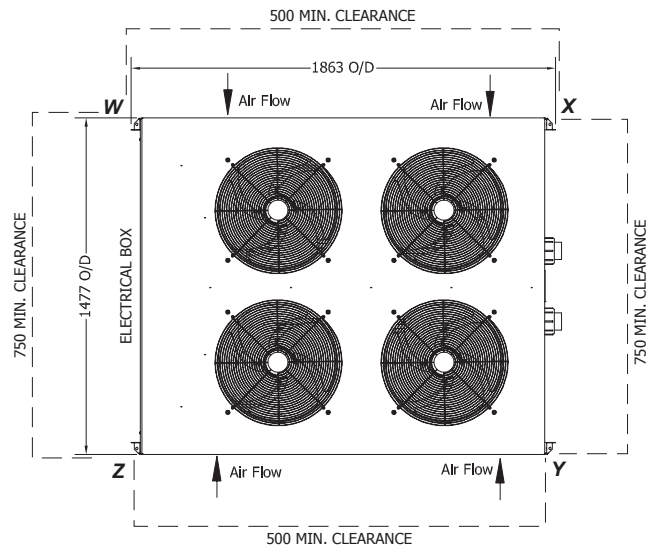
# DIMENSIONS (mm)



Not to Scale

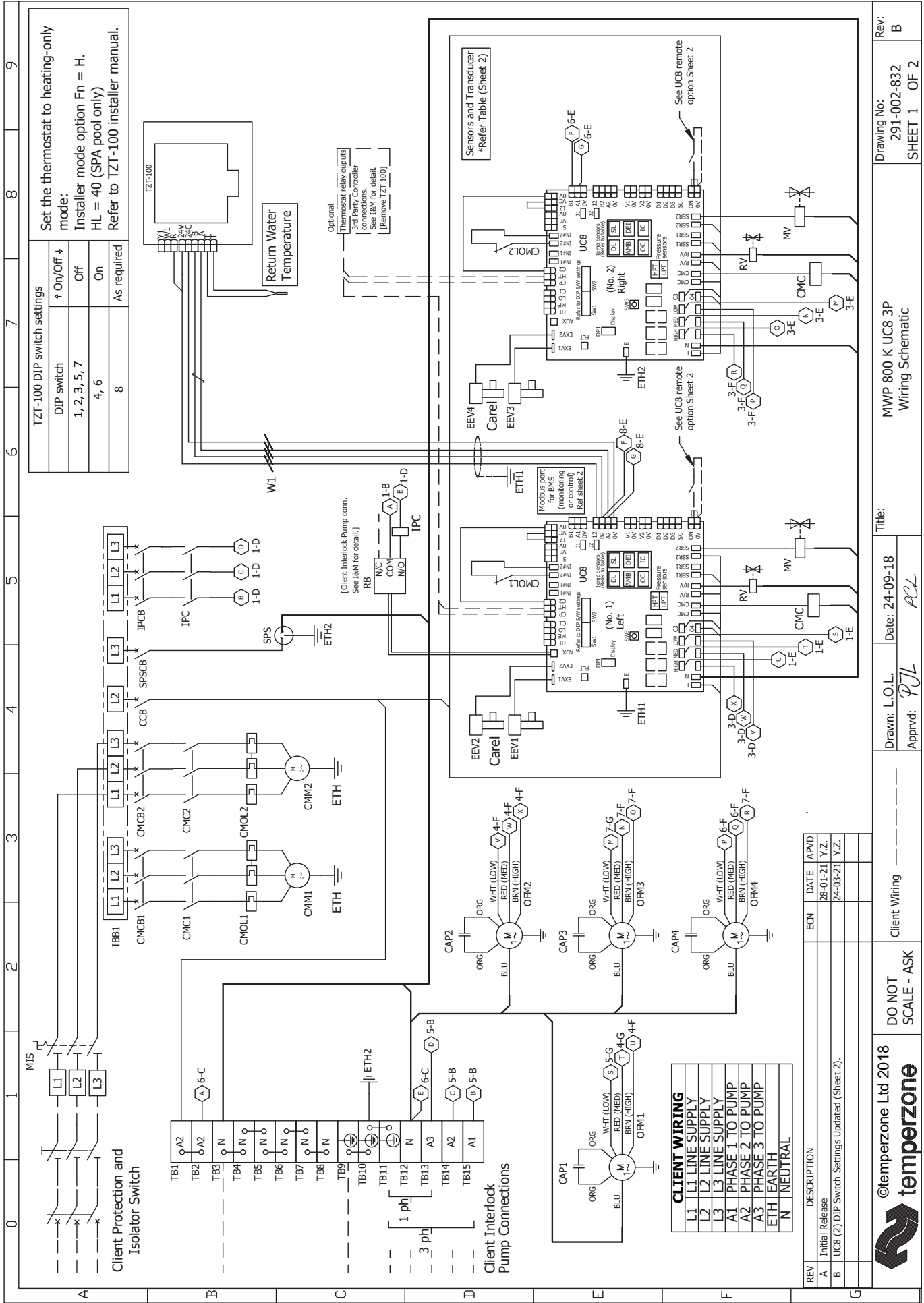
## MWP 800KTM

POINT LOADS (kg)				
W	X	Y	Z	
152	122	122	153	



### NOTE

Specifications are subject to change without notice due to the manufacturer's ongoing research and development programme.



Set the thermostat to heating-only mode:  
 Installer mode option Fn = H.  
 HL = 40 (SPA pool only)  
 Refer to TZT-100 installer manual.

TZT-100 DIP switch settings	On/Off ↓
DIP switch	Off
1, 2, 3, 5, 7	On
4, 6	As required
8	

**CLIENT WIRING**

L1	LINE SUPPLY
L2	LINE SUPPLY
L3	LINE SUPPLY
A1	PHASE 1 TO PUMP
A2	PHASE 2 TO PUMP
A3	PHASE 3 TO PUMP
ETH	EARTH
N	NEUTRAL

REV	DESCRIPTION	ECN	DATE	APVD
A	Initial Release		28-01-21	Y.Z.
B	UC8 (2) DIP Switch Settings Updated (Sheet 2).		24-03-21	Y.Z.

©temperzone Ltd 2018

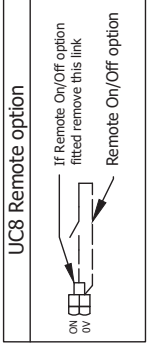
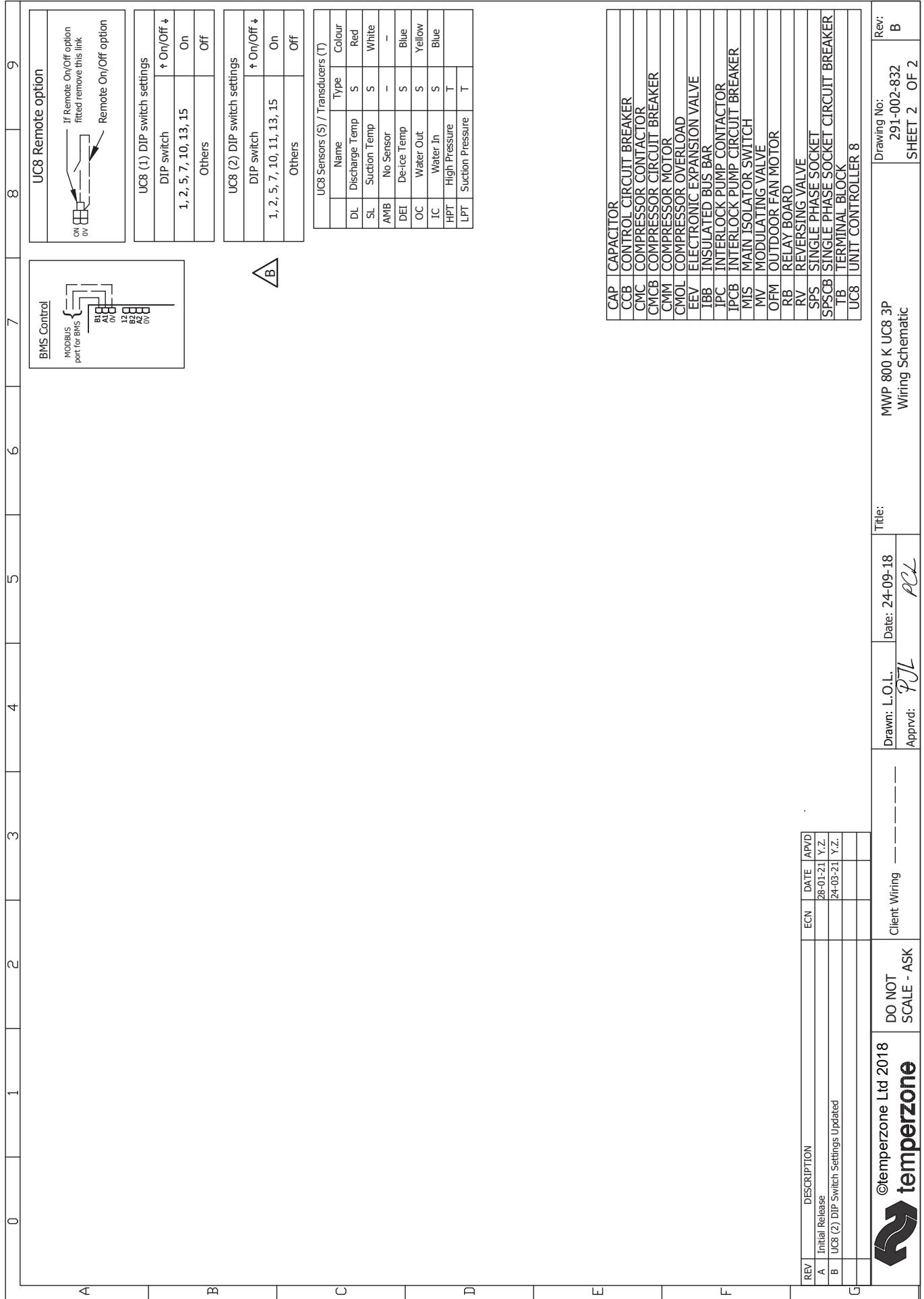
DO NOT SCALE - ASK

Client Wiring

Drawn: L.O.L. Date: 24-09-18  
 Approved: PUL

Title: MWP 800 K UC8 3P Wiring Schematic

Drawing No: 291-002-832  
 SHEET 1 OF 2  
 Rev: B



UC8 (1) DIP switch settings

DIP switch	↑ On/Off ↓
1, 2, 5, 7, 10, 13, 15	On
Others	Off

UC8 (2) DIP switch settings

DIP switch	↑ On/Off ↓
1, 2, 5, 7, 10, 11, 13, 15	On
Others	Off

UC8 Sensors (S) / Transducers (T)

Name	Type	Colour
DL	Discharge Temp	S Red
SL	Suction Temp	S White
AMB	No Sensor	-
DEI	De-ice Temp	S Blue
OC	Water Out	S Yellow
IC	Water In	S Blue
HPT	High Pressure	T
LPT	Suction Pressure	T

- CAP CAPACITOR
- CCB CONTROL CIRCUIT BREAKER
- CMC COMPRESSOR CONTACTOR
- CMCB COMPRESSOR CIRCUIT BREAKER
- CMM COMPRESSOR MOTOR
- CMOL COMPRESSOR OVERLOAD
- EEV ELECTRONIC EXPANSION VALVE
- IBB INSULATED BUS BAR
- IPC INTERLOCK PUMP CONTACTOR
- IPCB INTERLOCK PUMP CIRCUIT BREAKER
- MIS MAIN ISOLATOR SWITCH
- MV MODULATING VALVE
- OFM OUTDOOR FAN MOTOR
- RB RELAY BOARD
- RV REVERSING VALVE
- SPS SINGLE PHASE SOCKET
- SPSCB SINGLE PHASE SOCKET CIRCUIT BREAKER
- TB TERMINAL BLOCK
- UC8 UNIT CONTROLLER 8

REV	DESCRIPTION	ECN	DATE	APVD
A	Initial Release		28-01-21	Y.Z.
B	UC8 (2) DIP Switch Settings Updated		24-03-21	Y.Z.

©temperzone Ltd 2018

DO NOT SCALE - ASK

Client Wiring

Drawn: L.O.L. *PJL*

Date: 24-09-18 *ACL*

Title: MWP 800 K UC8 3P Wiring Schematic

Drawing No: 291-002-832 SHEET 2 OF 2

Rev: B