

Model	OPA 350RLTFPQ-S1
Configuration	Horizontal Supply Air
Item No. (Standard / Opposite Hand)	876-035-701 / 876-035-710
Unit c/w Fresh Air (OPA 350RLTFPQ-C)	878-035-701 / 878-035-710
Configuration	Downward Supply Air
Item No. (Standard / Opposite Hand)	876-035-723 / 876-035-732
Unit c/w Fresh Air (OPA 350RLTFPQ-C)	878-035-723 / 878-035-732
Cooling capacity (net) ¹	34.8 kW
Cooling capacity range (gross)	18.0 ~ 45.4 kW
Heating capacity ¹	37.0 kW
Heating capacity range	13.9 ~ 47.0 kW
Electrical input - cooling	11.1 kW
Electrical input - heating	11.5 kW
EER / AEER (cooling) ¹	3.15 / 3.14
COP / ACOP (heating) ¹	3.21 / 3.19
Unit Controller	UC8
Refrigerant	R32
Refrigerant Charge	10.5 kg
Minimum floor area (@2.4m below ceiling diffuser)	58.6 m ²
Compressor oil type	POE-46 (NXG5020 or equivalent)
Compressor type	inverter scroll
Power supply ²	3 ph. 400 V ac 50 Hz + N + E
Compressor (3ph.) run amps ¹	14 A/ph
Compressor + VSD circuit breaker	40 A
Indoor fan motor size	EC plug 500 dia. 3.58kW
Nominal air flow at rating conditions	1800 l/s
Indoor fan motor (3ph.) - full load	5.5 A/ph.
Outdoor fan motor (3ph.) - full load	4.6 A/ph.
Outdoor fan type	EC axial
Outdoor fan max. static pressure @ 3800 l/s	125 Pa
Control circuit breaker (internal)	2 A
Auxiliary power outlet (1ph.) overload setting	10 A
Running amps (total system) ¹	17.5 / 15.5 / 19.5 A
Max. running amps (total system)	35 A/ph.
RCD type recommended	type B, 30mA, 3 pole
Net weight	596 kg
Shipping weight	652 kg
Net Weight c/w Fresh Air Cowl option	604 kg

Accessories:

Filters - rated EU4/G4 disposable	019-400-001 600x300x50 (x1) ³ 019-400-005 600x500x50 (x2)
Filters - rated EU4/G4 washable	019-000-037 600x300x50 (x1) ³ 019-000-034 600x500x50 (x2)
Drain tundish (set of 2)	060-000-653

Optional Controls:

TZT-100 Room temperature controller	201-000-350
-------------------------------------	-------------

Refer to temperzone for other options.

20058

¹ Tested in accordance with AS/NZS 3823

² Voltage range: 380–440V

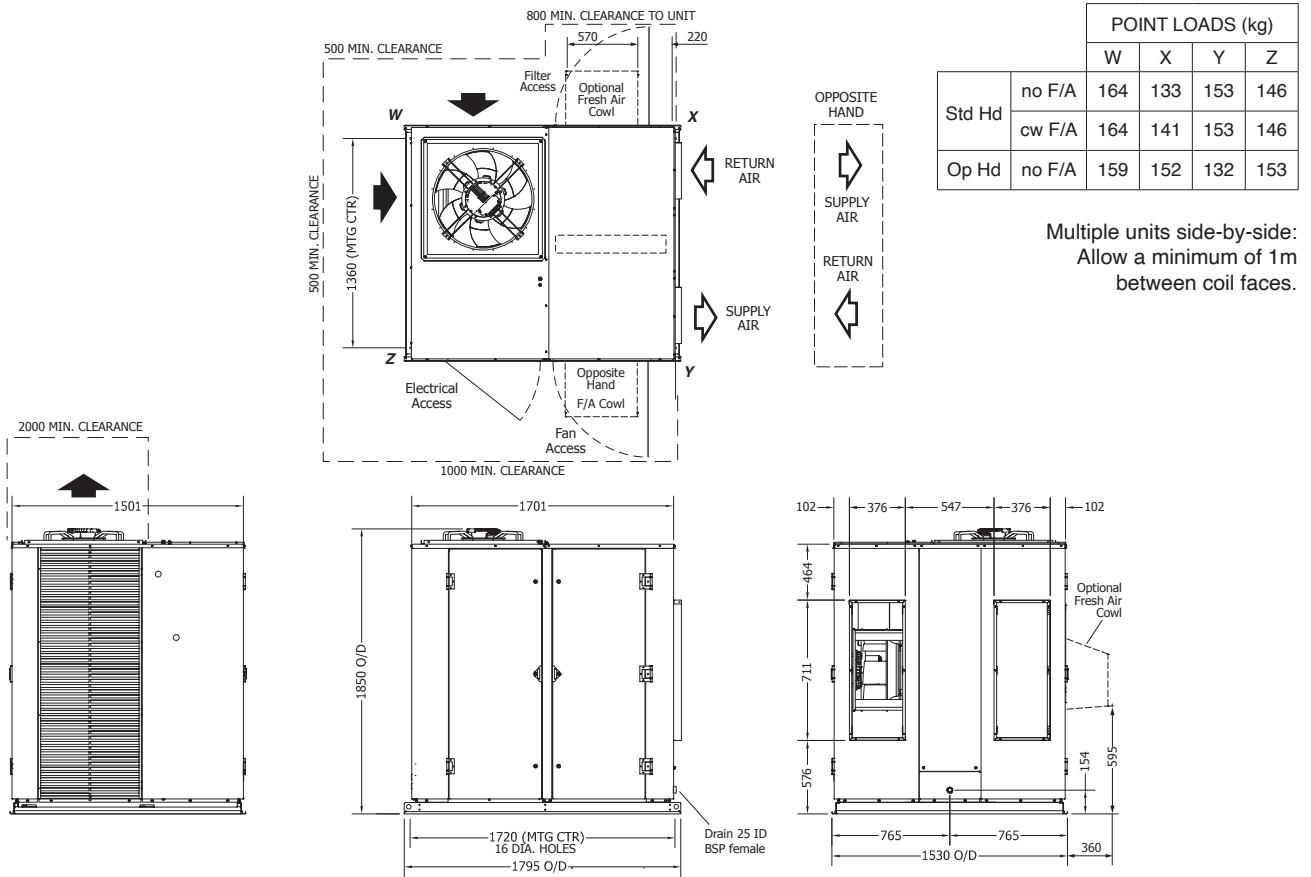
³ Filter sizes are nominal; refer to Temperzone for actual measurements.

DIMENSIONS (mm)

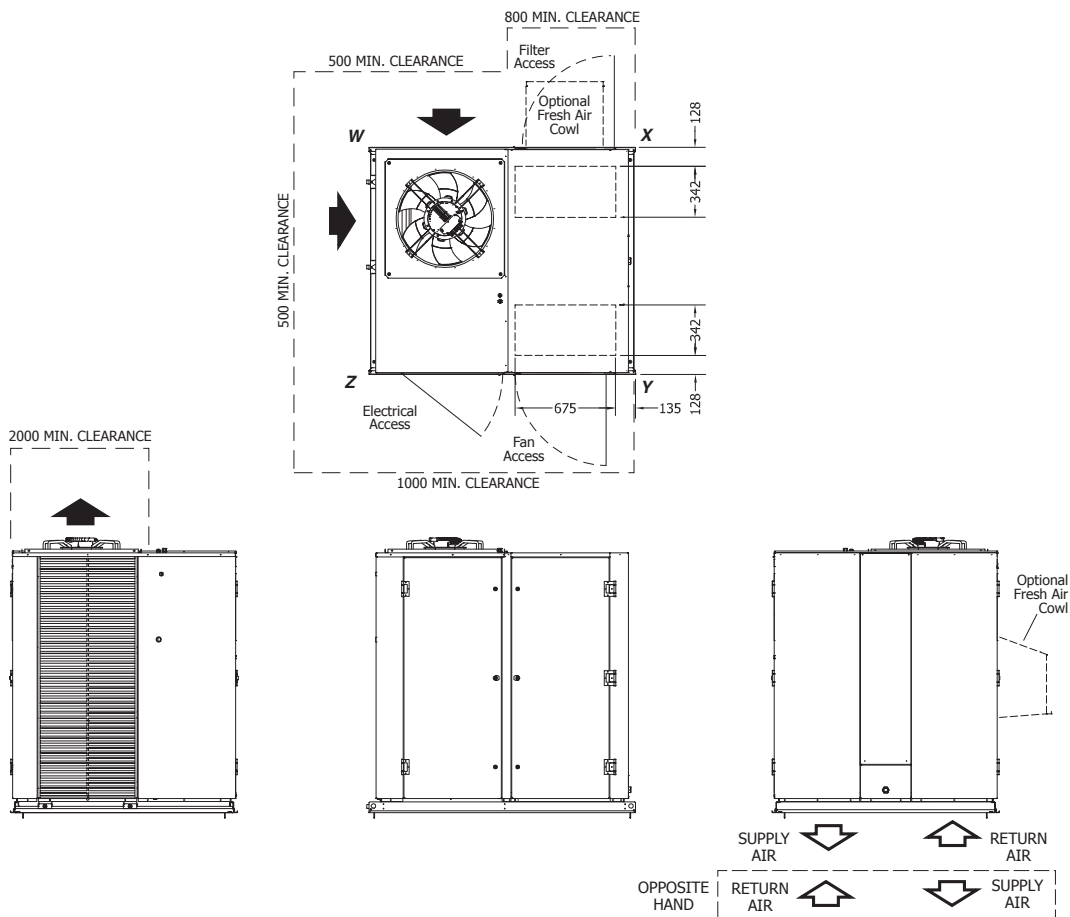


Not to Scale

OPA 350RLTFP01(-C) Standard Hand, Horizontal Supply

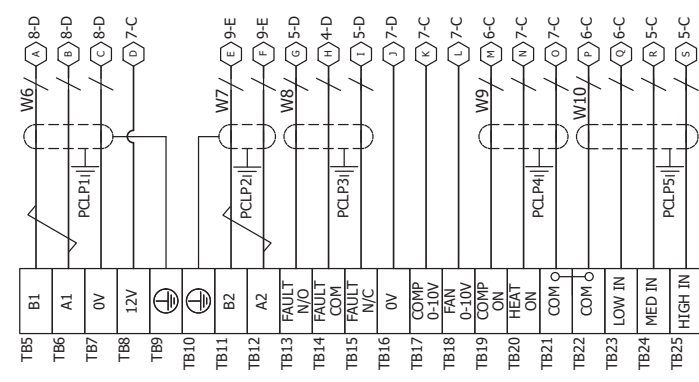
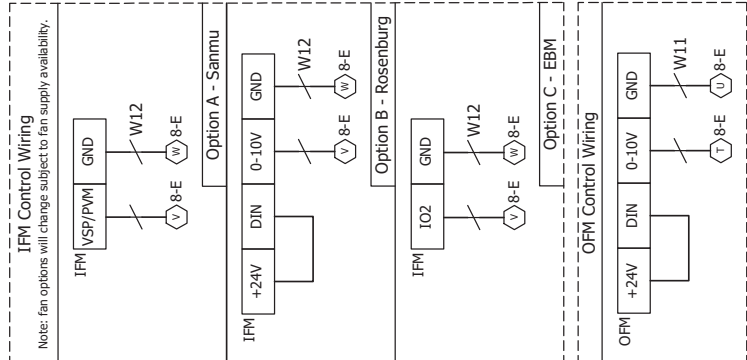
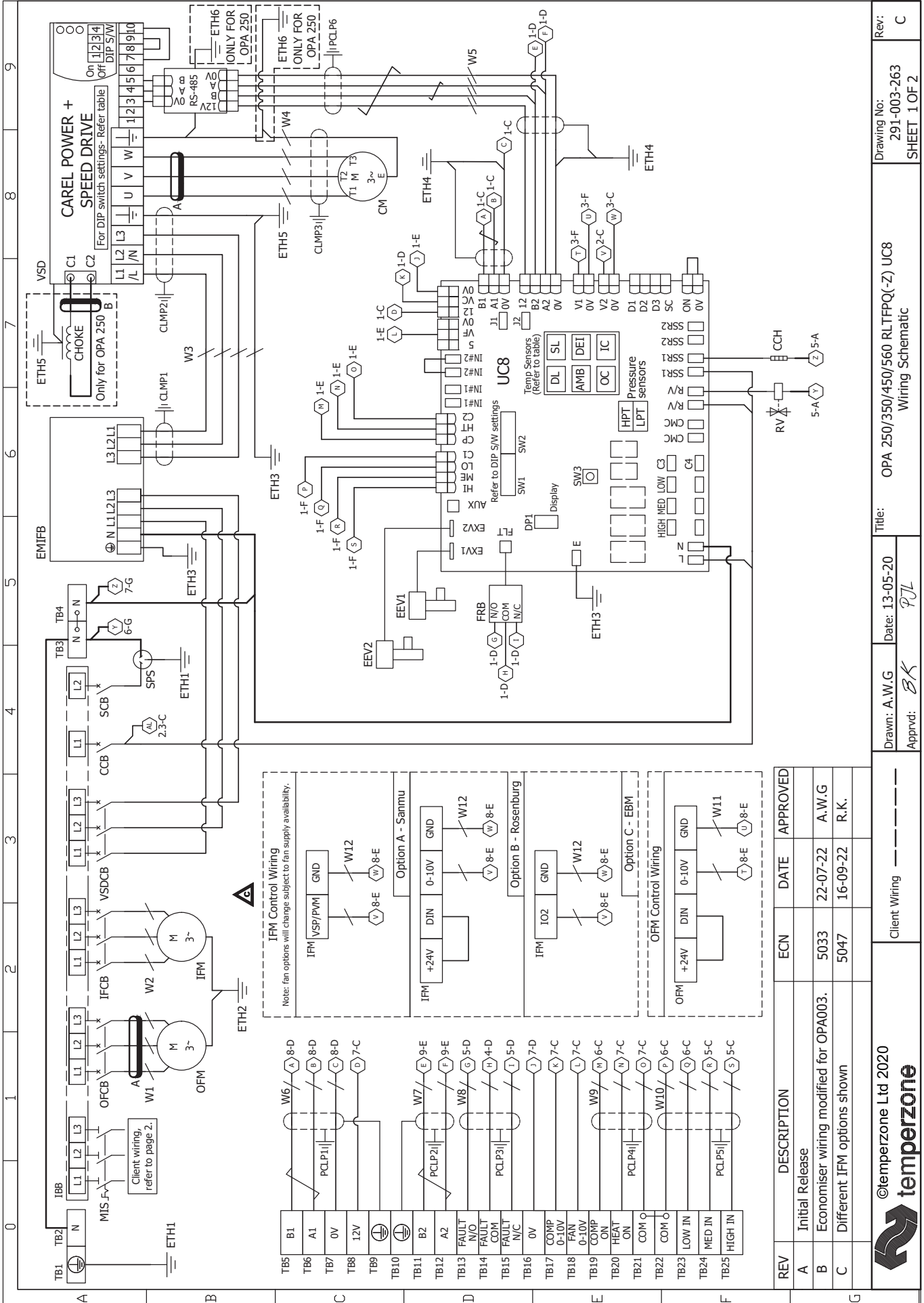


OPA 350RLTFP23(-C) Standard Hand, Downward Supply



NOTE

Specifications are subject to change without notice due to the manufacturer's ongoing research and development programme.



REV	DESCRIPTION	ECN	DATE	APPROVED
A	Initial Release			
B	Economiser wiring modified for OPA003.	5033	22-07-22	A.W.G
C	Different IFM options shown	5047	16-09-22	R.K.



©temperzone Ltd 2020

Client Wiring

Drawn: A.W.G
 Date: 13-05-20
 PUL

Title: OPA 250/350/450/560 RLTFPQ(-Z) UC8
 Wiring Schematic

Drawing No: 291-003-263
 SHEET 1 OF 2

Rev: C

0	1	2	3	4	5	6	7	8	9																																																																																																																									
<p>Client Wiring</p> <p>Client External Protection and Isolator Switch</p>	<p>Customer BMS Input</p> <p>Connect cable screen to 'EARTH' terminal</p>	<p>Ferrites</p> <table border="1" style="width:100%; border-collapse: collapse;"> <thead> <tr> <th>Part Number</th> <th>Frequency Type</th> <th>Number of Turns</th> </tr> </thead> <tbody> <tr> <td>A 012-001-074</td> <td>High</td> <td>1</td> </tr> <tr> <td>B 012-001-094</td> <td>Low</td> <td>1</td> </tr> </tbody> </table> <p>Important Note! Ferrite 'A' on OD Fan circuit breaker for OPA 450 and 560 only.</p>	Part Number	Frequency Type	Number of Turns	A 012-001-074	High	1	B 012-001-094	Low	1	<table border="1" style="width:100%; border-collapse: collapse;"> <tr><td>24VCB</td><td>24 Volt Circuit Breaker</td></tr> <tr><td>CCB</td><td>Control Circuit Breaker</td></tr> <tr><td>CCH</td><td>Crankcase Heater</td></tr> <tr><td>CM</td><td>Compressor Motor</td></tr> <tr><td>DMF</td><td>Damper Motor Fresh Air</td></tr> <tr><td>DMR</td><td>Damper Motor Return Air</td></tr> <tr><td>EEV</td><td>Electronic Expansion Valve</td></tr> <tr><td>EMIFB</td><td>EMI Filter Board</td></tr> <tr><td>ETH</td><td>Earth</td></tr> <tr><td>FRB</td><td>Fault Relay Board</td></tr> <tr><td>IFCB</td><td>Indoor Fan Circuit Breaker</td></tr> <tr><td>IFM</td><td>Indoor Fan Motor</td></tr> <tr><td>IBB</td><td>Insulated Bus Bar</td></tr> <tr><td>MIS</td><td>Main Isolator Switch</td></tr> <tr><td>OFCB</td><td>Outdoor Fan Circuit Breaker</td></tr> <tr><td>OFM</td><td>Outdoor Fan Motor</td></tr> <tr><td>PCLP</td><td>P Clip</td></tr> <tr><td>RV</td><td>Reversing Valve</td></tr> <tr><td>SCB</td><td>Socket Circuit Breaker</td></tr> <tr><td>SPS</td><td>Single Phase Socket</td></tr> <tr><td>TB</td><td>Terminal Block</td></tr> <tr><td>TR</td><td>Transformer</td></tr> <tr><td>UC8</td><td>Unit Controller 8</td></tr> <tr><td>VSD</td><td>Variable Speed Drive</td></tr> <tr><td>VSDCB</td><td>Variable Speed Drive Circuit Breaker</td></tr> <tr><td>W</td><td>Cable Marker</td></tr> </table>	24VCB	24 Volt Circuit Breaker	CCB	Control Circuit Breaker	CCH	Crankcase Heater	CM	Compressor Motor	DMF	Damper Motor Fresh Air	DMR	Damper Motor Return Air	EEV	Electronic Expansion Valve	EMIFB	EMI Filter Board	ETH	Earth	FRB	Fault Relay Board	IFCB	Indoor Fan Circuit Breaker	IFM	Indoor Fan Motor	IBB	Insulated Bus Bar	MIS	Main Isolator Switch	OFCB	Outdoor Fan Circuit Breaker	OFM	Outdoor Fan Motor	PCLP	P Clip	RV	Reversing Valve	SCB	Socket Circuit Breaker	SPS	Single Phase Socket	TB	Terminal Block	TR	Transformer	UC8	Unit Controller 8	VSD	Variable Speed Drive	VSDCB	Variable Speed Drive Circuit Breaker	W	Cable Marker	<p>Economiser Option</p>	<p>Important Note! Unit requires 24 hour power supply for control circuit and crankcase heaters</p>	<p>Sensors (S) / Transducers (T)</p> <table border="1" style="width:100%; border-collapse: collapse;"> <thead> <tr> <th>DL</th> <th>Name</th> <th>Type</th> <th>Colour</th> </tr> </thead> <tbody> <tr><td>SL</td><td>Discharge Temp</td><td>S</td><td>GREY</td></tr> <tr><td>AMB</td><td>Suction Temp</td><td>S</td><td>WHITE</td></tr> <tr><td>DEI</td><td>Ambient Temp</td><td>S</td><td>YELLOW</td></tr> <tr><td>IC</td><td>De-ice Temp</td><td>S</td><td>BLUE</td></tr> <tr><td>LPT</td><td>De-ice Temp</td><td>S</td><td>BLUE</td></tr> <tr><td>HPT</td><td>Suction Pressure</td><td>T</td><td></td></tr> <tr><td></td><td>High Pressure</td><td>T</td><td></td></tr> </tbody> </table> <p>SAT-3 & TZT100 connection to UC8 terminals</p> <table border="1" style="width:100%; border-collapse: collapse;"> <thead> <tr> <th>UC8 terminals</th> <th>SAT-3</th> <th>TZT100 Terminals</th> </tr> </thead> <tbody> <tr><td>B2</td><td>12V</td><td>24</td></tr> <tr><td>B</td><td>B</td><td>B</td></tr> <tr><td>A2</td><td>A</td><td>A</td></tr> <tr><td>0V</td><td>GND</td><td>24C</td></tr> <tr><td>Shield to 0V</td><td></td><td></td></tr> </tbody> </table>	DL	Name	Type	Colour	SL	Discharge Temp	S	GREY	AMB	Suction Temp	S	WHITE	DEI	Ambient Temp	S	YELLOW	IC	De-ice Temp	S	BLUE	LPT	De-ice Temp	S	BLUE	HPT	Suction Pressure	T			High Pressure	T		UC8 terminals	SAT-3	TZT100 Terminals	B2	12V	24	B	B	B	A2	A	A	0V	GND	24C	Shield to 0V			<p>UC8 DIP switch settings</p> <table border="1" style="width:100%; border-collapse: collapse;"> <thead> <tr> <th>DIP switch</th> <th>↑ On/Off ↓</th> </tr> </thead> <tbody> <tr><td>1,2,4,6,7,10,14</td><td>On</td></tr> <tr><td>All Others Off</td><td>Off</td></tr> </tbody> </table> <p>PSD DIP switch settings</p> <table border="1" style="width:100%; border-collapse: collapse;"> <thead> <tr> <th>DIP switch</th> <th>↑ On/Off ↓</th> </tr> </thead> <tbody> <tr><td>1, 4</td><td>On</td></tr> <tr><td>2, 3</td><td>Off</td></tr> </tbody> </table>	DIP switch	↑ On/Off ↓	1,2,4,6,7,10,14	On	All Others Off	Off	DIP switch	↑ On/Off ↓	1, 4	On	2, 3	Off
Part Number	Frequency Type	Number of Turns																																																																																																																																
A 012-001-074	High	1																																																																																																																																
B 012-001-094	Low	1																																																																																																																																
24VCB	24 Volt Circuit Breaker																																																																																																																																	
CCB	Control Circuit Breaker																																																																																																																																	
CCH	Crankcase Heater																																																																																																																																	
CM	Compressor Motor																																																																																																																																	
DMF	Damper Motor Fresh Air																																																																																																																																	
DMR	Damper Motor Return Air																																																																																																																																	
EEV	Electronic Expansion Valve																																																																																																																																	
EMIFB	EMI Filter Board																																																																																																																																	
ETH	Earth																																																																																																																																	
FRB	Fault Relay Board																																																																																																																																	
IFCB	Indoor Fan Circuit Breaker																																																																																																																																	
IFM	Indoor Fan Motor																																																																																																																																	
IBB	Insulated Bus Bar																																																																																																																																	
MIS	Main Isolator Switch																																																																																																																																	
OFCB	Outdoor Fan Circuit Breaker																																																																																																																																	
OFM	Outdoor Fan Motor																																																																																																																																	
PCLP	P Clip																																																																																																																																	
RV	Reversing Valve																																																																																																																																	
SCB	Socket Circuit Breaker																																																																																																																																	
SPS	Single Phase Socket																																																																																																																																	
TB	Terminal Block																																																																																																																																	
TR	Transformer																																																																																																																																	
UC8	Unit Controller 8																																																																																																																																	
VSD	Variable Speed Drive																																																																																																																																	
VSDCB	Variable Speed Drive Circuit Breaker																																																																																																																																	
W	Cable Marker																																																																																																																																	
DL	Name	Type	Colour																																																																																																																															
SL	Discharge Temp	S	GREY																																																																																																																															
AMB	Suction Temp	S	WHITE																																																																																																																															
DEI	Ambient Temp	S	YELLOW																																																																																																																															
IC	De-ice Temp	S	BLUE																																																																																																																															
LPT	De-ice Temp	S	BLUE																																																																																																																															
HPT	Suction Pressure	T																																																																																																																																
	High Pressure	T																																																																																																																																
UC8 terminals	SAT-3	TZT100 Terminals																																																																																																																																
B2	12V	24																																																																																																																																
B	B	B																																																																																																																																
A2	A	A																																																																																																																																
0V	GND	24C																																																																																																																																
Shield to 0V																																																																																																																																		
DIP switch	↑ On/Off ↓																																																																																																																																	
1,2,4,6,7,10,14	On																																																																																																																																	
All Others Off	Off																																																																																																																																	
DIP switch	↑ On/Off ↓																																																																																																																																	
1, 4	On																																																																																																																																	
2, 3	Off																																																																																																																																	
<p>Rev A</p> <p>Initial Release</p>	<p>Rev B</p> <p>Economiser wiring modified for OPA003.</p>	<p>Rev C</p> <p>Different IFM options shown</p>	<p>Rev</p> <p>DESCRIPTION</p>	<p>ECN</p>	<p>DATE</p>	<p>APPROVED</p>																																																																																																																												
<p>Client Wiring</p>																																																																																																																																		
<p>©temperzone Ltd 2020</p>																																																																																																																																		
<p>Drawn: A.W.G</p>			<p>Date: 13-05-20</p>		<p>Appvd: BK</p>																																																																																																																													
<p>Title: OPA 250/350/450/560 RLTFPQ(-Z) UC8 Wiring Schematic</p>			<p>Drawing No: 291-003-263</p>		<p>SHEET 2 OF 2</p>																																																																																																																													
<p>Rev: C</p>																																																																																																																																		